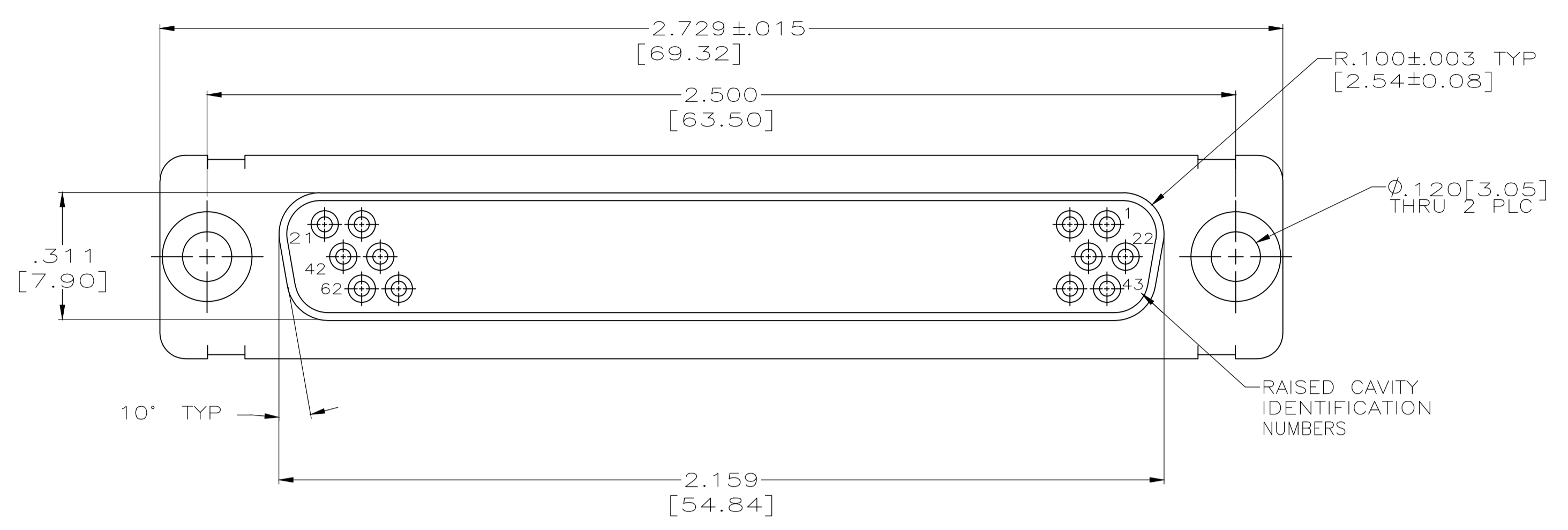
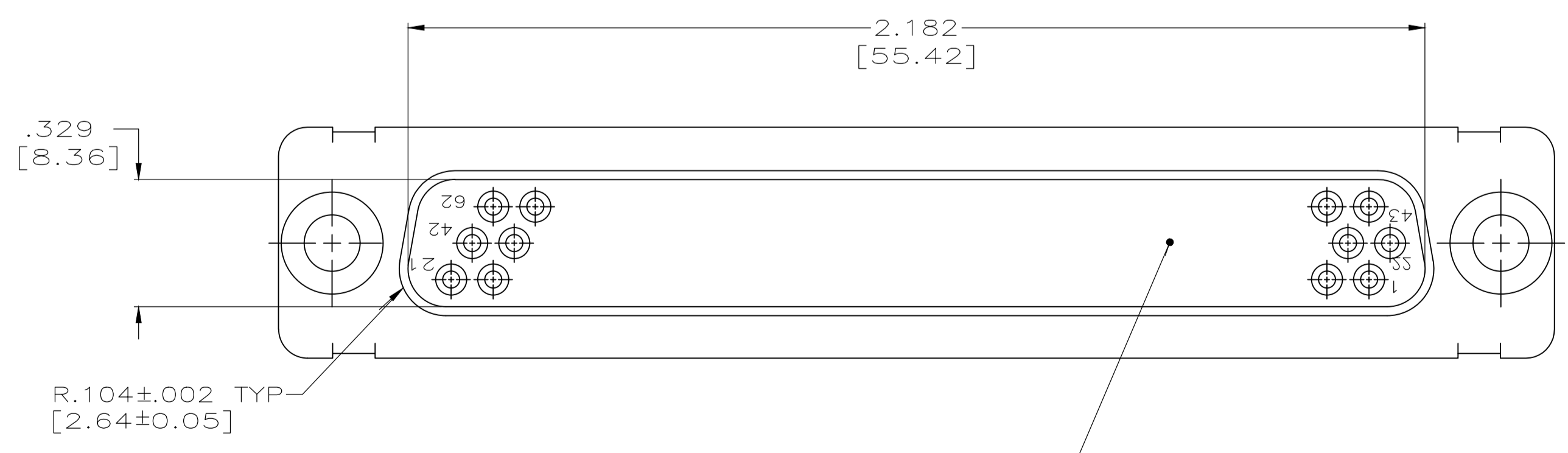
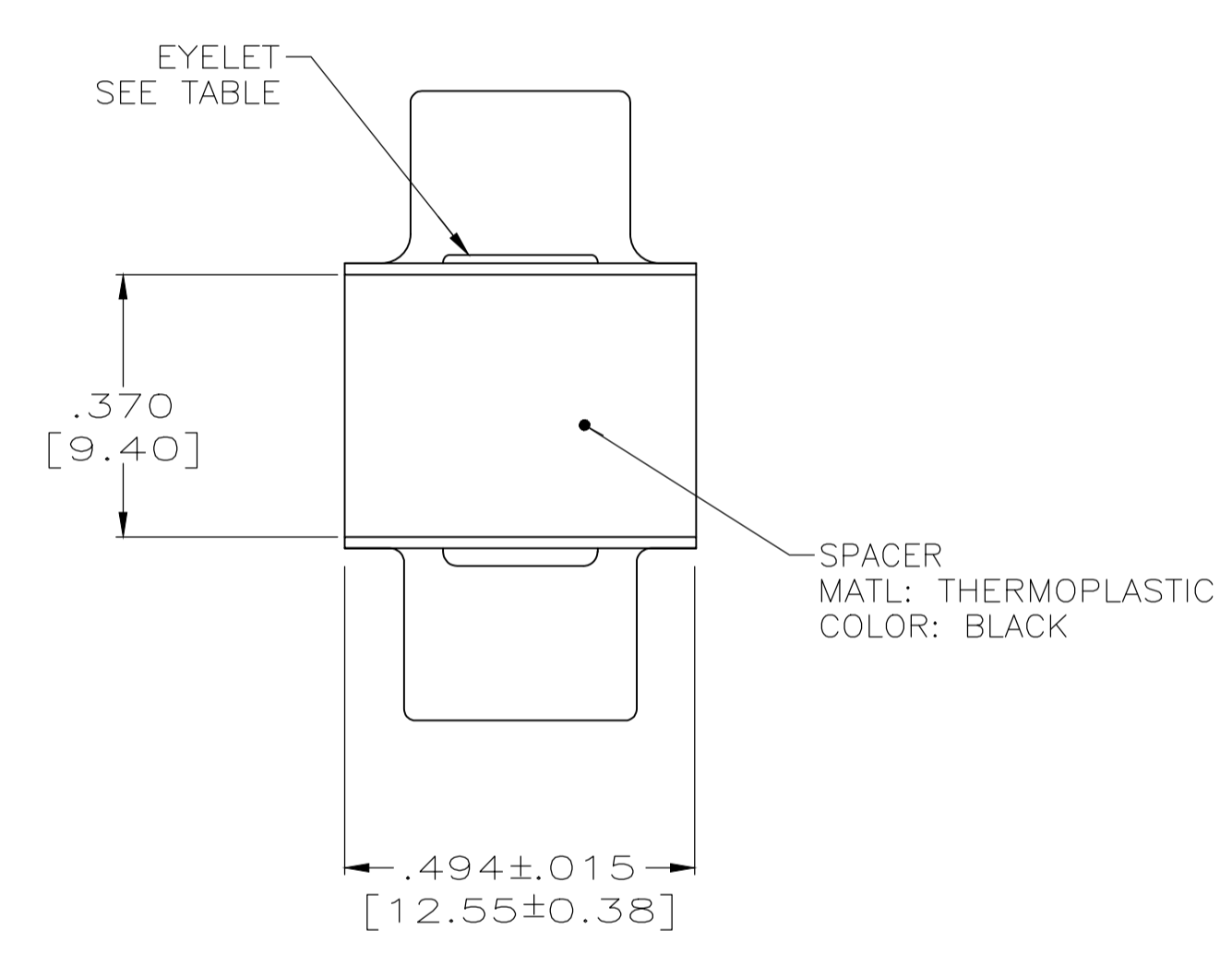
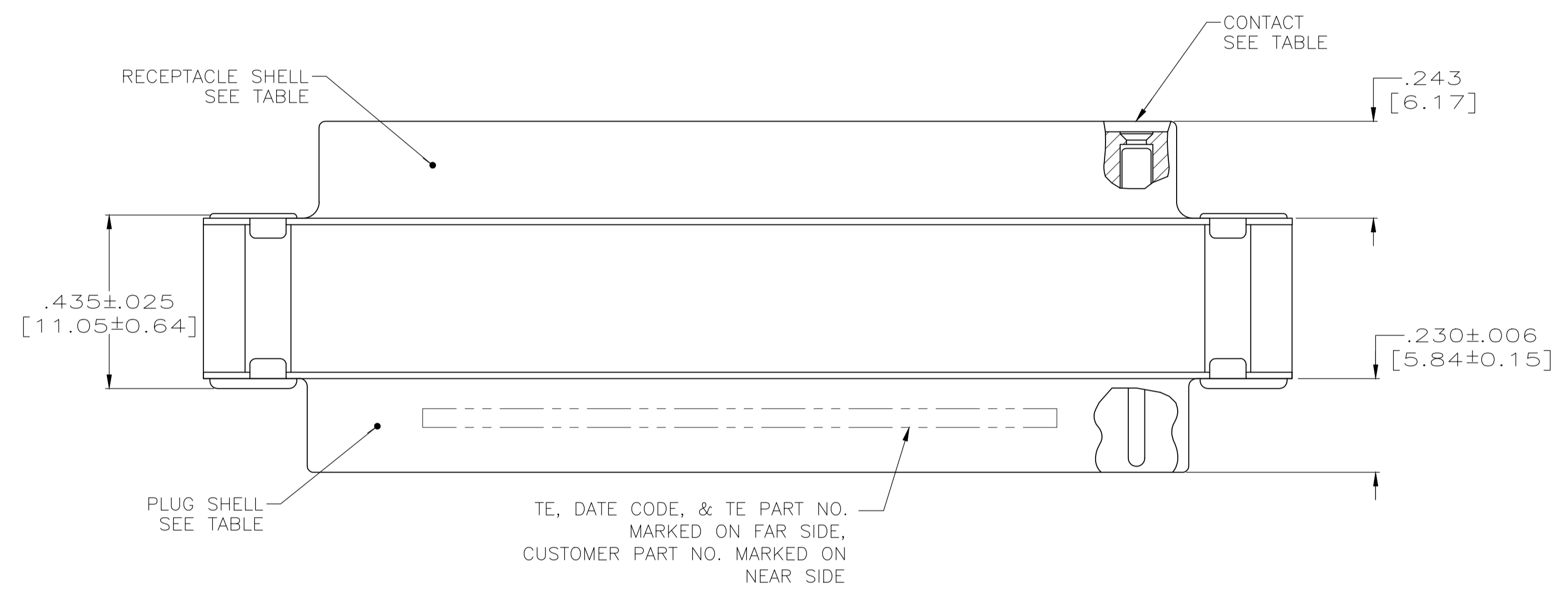


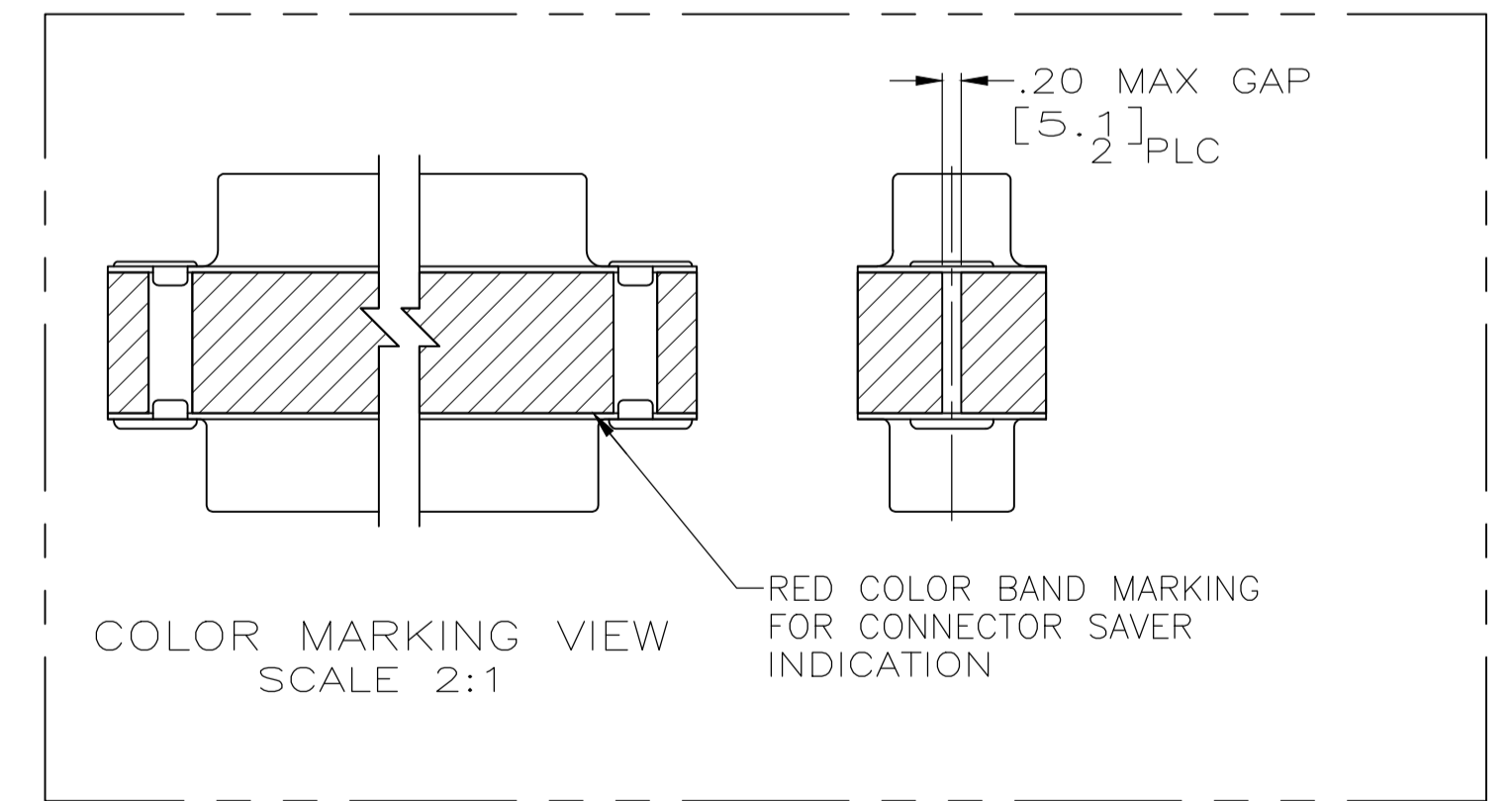
REVISIONS				
P	LTR	DESCRIPTION	DATE	BY
E	REV PER ECO	19-019228	4-16-20	CT DN



- 1. CONTACTS INCLUDED IN ASSEMBLY.
- CONTACT
- BODY MATL: BERYLLIUM COPPER PER ASTM-B-197.
- BODY FINISH: PLATED GOLD, .000050 MIN THK PER MIL-G-45204 OVER NICKEL, .000050 MIN THK PER QQ-N-290.
- HOOD MATL: STAINLESS STEEL PER ASTM-A-167.
- HOOD FINISH: PASSIVATED PER ASTM-A-380
- MATL: BRASS PER ASTM-B-36.
- FINISH: PLATED GOLD, .000050 MIN THK PER MIL-G-45204 OVER COPPER, .000100 MIN THK PER MIL-C-14550.



INSERT ASSEMBLY
 MATL: POLYESTER PER MIL-M-24519
 TYPE GPT-30F
 COLOR: BLUE
 OR POLYPHENYLENE SULFIDE(PPS)
 PER MIL-M24519, TYPE GST-40F
 COLOR: BLACK



Δ Δ	Δ Δ	Δ	4U884 SOCN R10002677-0009 (1J02-009)	1218311-2
Δ Δ	Δ Δ	Δ		1218311-1
EYELET	SHELLS	CONTACT	CUSTOMER P/N	PART NO.

THIS DRAWING IS A CONTROLLED DOCUMENT.		DIN T. THOMPSON 20AUG98	TE Connectivity
DIMENSIONS: INCHES		CHK J. NORTON 20AUG98	
TOLERANCES UNLESS OTHERWISE SPECIFIED: 0 PLC ± - 1 PLC ± - 2 PLC ± - 3 PLC ± .005(0.13) 4 PLC ± - ANGLES ± -		APVD J. NORTON 20AUG98	NAME
MATERIAL		WEIGHT 0.000000	AMPLIMITE CONNECTOR SAVER SERIES 90, SIZE 4, 62 POS NON-REMOVABLE CONTACTS
FINISH		SIZE A1	RESTRICTED TO
		CUSTOMER DRAWING	SCALE 4:1 SHEET 1 OF 1 REV E