

13 12 11 10 9 8 7 6 5 4 3 2 1

MATERIAL NUMBER

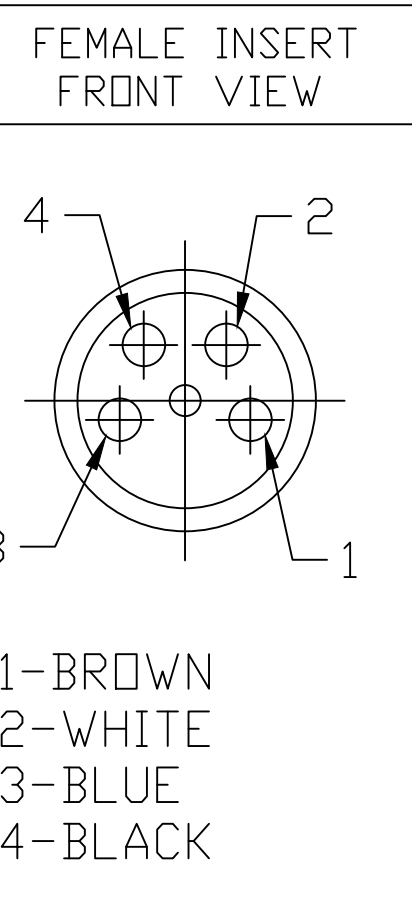
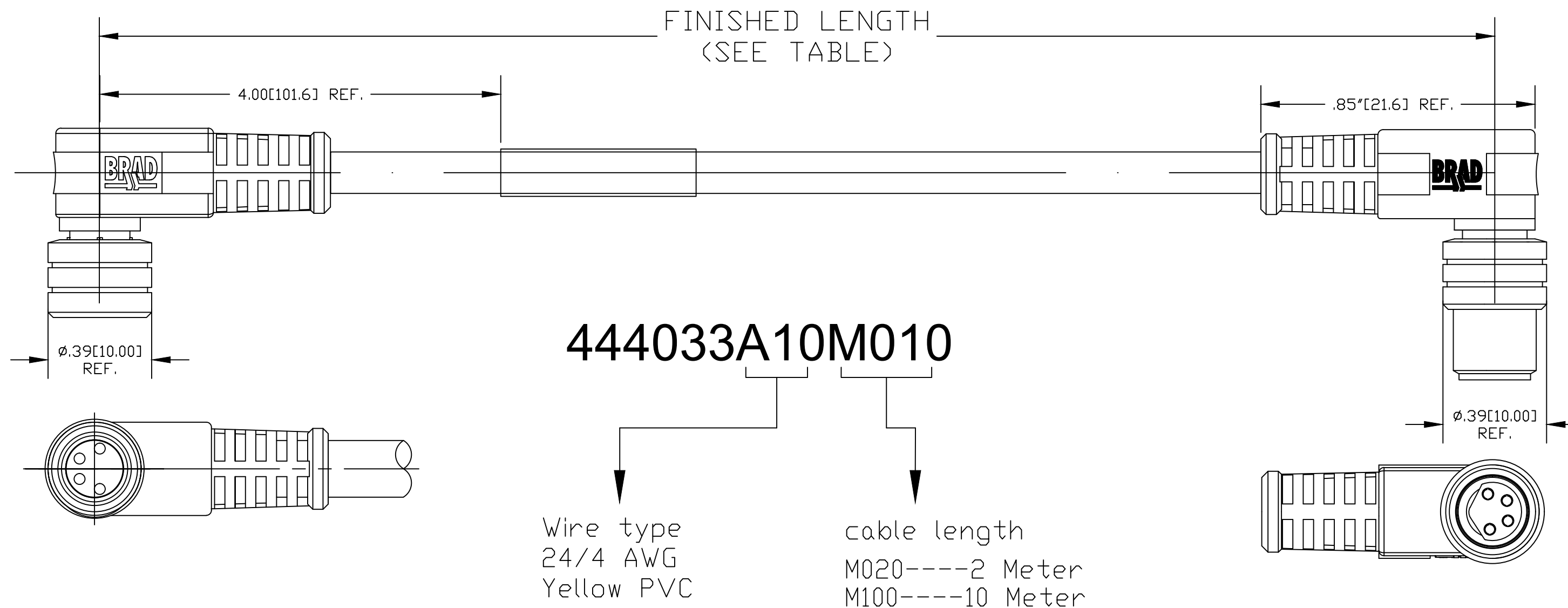
OLD PART NUMBER

FINISHED LENGTH

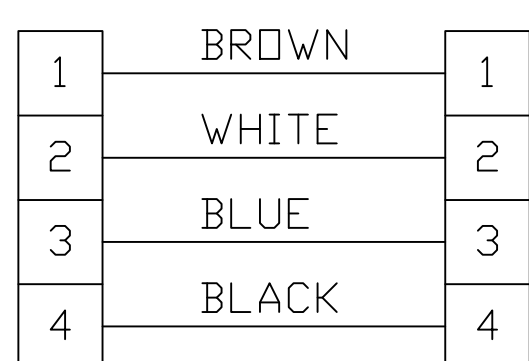
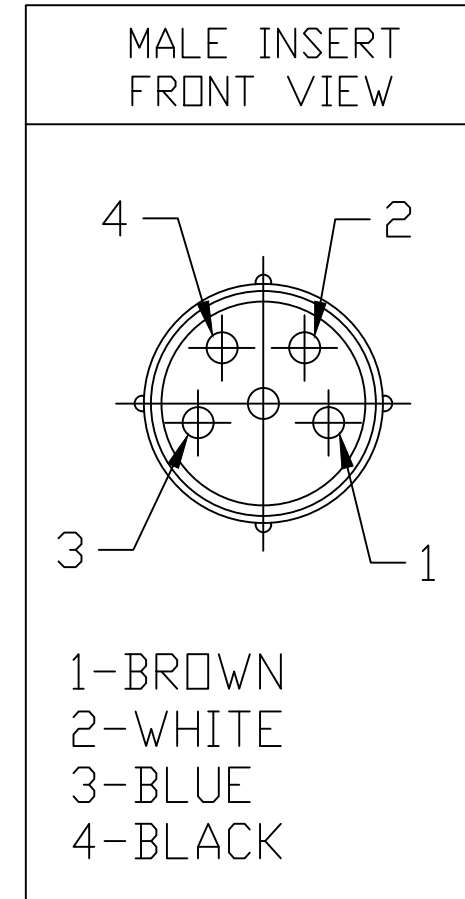
120087-0108

444033A10M010

3.28' +2.19" -0 [1.0M +55.6mm -0]



CONTACT:	GOLD/NICKEL OVER COPPER ALLOY
INSERT:	PUR, BLACK
COUPLING NUT:	NICKEL PLATED BRASS
MOLDED BODY:	RITFLEX, YELLOW
VOLTAGE RATING:	60 VAC/75 VDC
AMPERAGE RATING:	4 AMPS
PROTECTION:	IP67
OPERATING TEMPERATURE:	-25°C TO 105°C
UL CERTIFICATIONS:	UL LISTED, FILE NO. E152210; CSA CERTIFIED, FILE NO. LR6837



WIRING DIAGRAM

INITIAL RELEASE EC NO.: IPG2013-1910 DRWN: EBRACKEN 2013/06/20 CH'KD: RSTONE APPR: BWOODMAN2013/08/14	QUALITY SYMBOL ▽=0 ▽=0	GENERAL TOLERANCES (UNLESS SPECIFIED)		DIMENSION STYLE		SCALE	DESIGN UNITS	THIRD ANGLE PROJECTION			
				IN/MM		---	METRIC				
				mm	INCH	DRAWN BY DATE		TITLE			
				4 PLACES ±---	±---	EBRACKEN 2013/06/18		NANO-CHANGE ASSEMBLY 4 POLE/ FEM/MALE 90D #24-4 YELLOW PVC CABLE			
		3 PLACES ±---	±.005	CHECKED BY DATE		MOLEX INCORPORATED					
		2 PLACES ±0.13	±.010	APPROVED BY DATE		DOCUMENT NO.		SHEET NO.			
		1 PLACE ±0.25	±.020	BWOODMAN 2013/08/14		SD-120087-048		1 OF 1			
		ANGULAR ±.5°		MATERIAL NO.		THIS DRAWING CONTAINS INFORMATION THAT IS PROPRIETARY TO MOLEX INCORPORATED AND SHOULD NOT BE USED WITHOUT WRITTEN PERMISSION					
		DRAFT WHERE APPLICABLE MUST REMAIN WITHIN DIMENSIONS		SEE CHART							

13 12 11 10 9 8 7 6 5 4 3 2 1