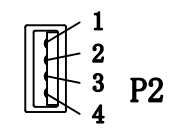
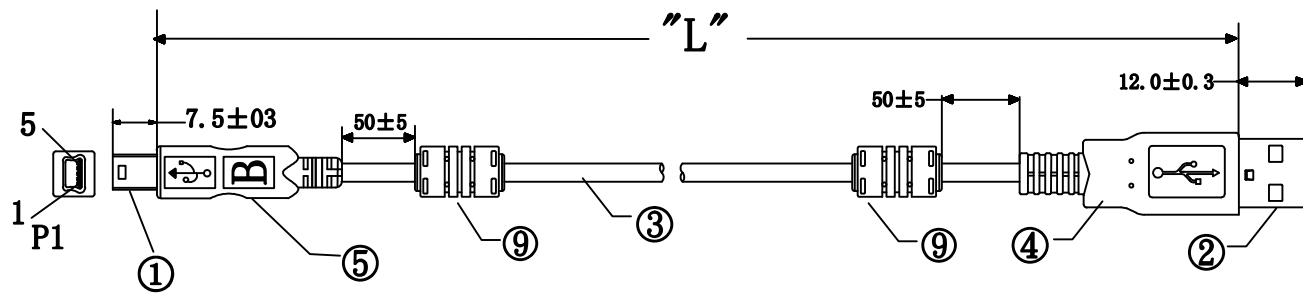


UNIT:MM

REVISION INFORMATION			
Rev.	Rev. Date	Modified By	Brief Description
A/0	18-07-04	T0704C	NEW DRAWING
A/1	18-07-13	T0713A	ADD FIGURE B



**PIN ASSIGNMENT:**

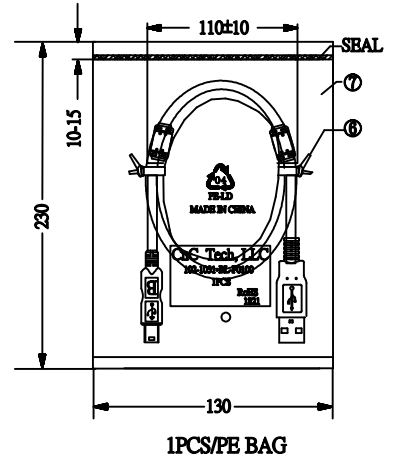
P1		P2
1	RED	1
2	WHITE	2
3	GREEN	3
5	BLACK	4
SHELL DRAIN+BRAID		SHELL

**Electrical test:**

- 100% short, open, miswire test
- Conduct resistance: 2 Ohm(max)
- Insulation resistance: 10Mohm(min)
- dielectric test: DC 300V

**CABLE BLACK PRINT**  
 E166160 AWM 2725 80°C 30V  
 28AWGX1P+28AWGX2C USB2.0

PART NO	WIRE LENGTH "L"	BUYER COLOR	VENDOR COLOR	CUT LENGTH
102-1031-BL-F0100	1000±30		BLACK	1000-1010MM



⑨	OUT JACKET	14.5g	BLACK 45P PVC (MOLD NO:CH003)
	FERRITE	2	CORE OD12X5.6XL20 BLACK
⑧	PE BAG	1/10	CLEAR SIZE:280X330X0.05mm PRINT BLACK"MADE IN CHINA"+"10PCS"
⑦	PE BAG	1	CLEAR SIZE:130X230X0.05mm PRINT BLACK"MADE IN CHINA"+"1PC"
⑥	TIE	2	BLACK L=90mm
⑤	OUT JACKET	12g	BLACK PVC-50P (MOULD NO:WM-88)
④	OUT JACKET	12g	BLACK PVC-50P (MOULD NO:2002-527)
③	CABLE	1	BLACK USB2.0 UL2725 28#/1P+28#/2C+AEB OD:3.8mm
②	CONN	1set	USB2.0 A/TYPE MALE SHELL:NICKEL PIN:G/F 4PCS TYPE INSULATOR COLOR:WHITE
①	CONN	1set	USB2.0 MINI 5P MALE SHELL:NICKEL PIN:G/F 3PCS INSULATOR COLOR:BLACK
NO.	NAME	QTY	SPECIFICATION

**CnC Tech, LLC**  
 Industrial Cable and Connector Technology

DRAWN BY:	DATE: 2018/07/13	DESCRIPTION: 4C CABLE USB A/M+MINI 5P/M
CHECKED BY:	SHEET 1 of 1	ITEM NO. As above
APPROVED BY:	SCALE 1:1	REV. A/1 UNIT: mm