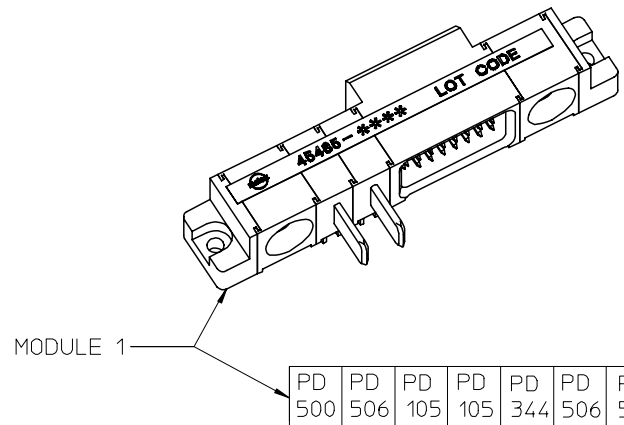
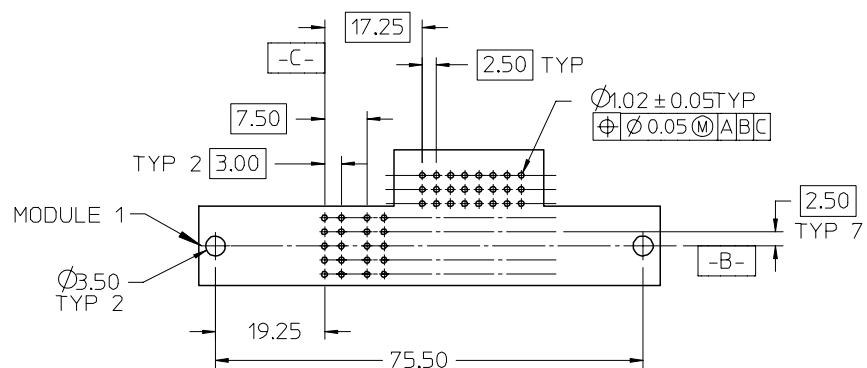
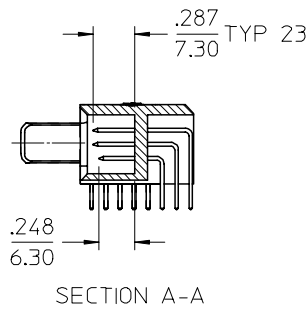
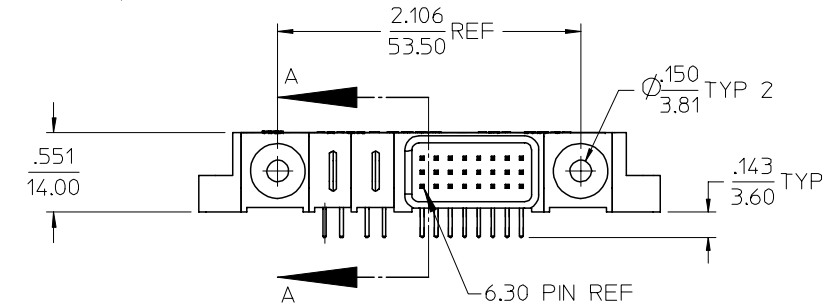
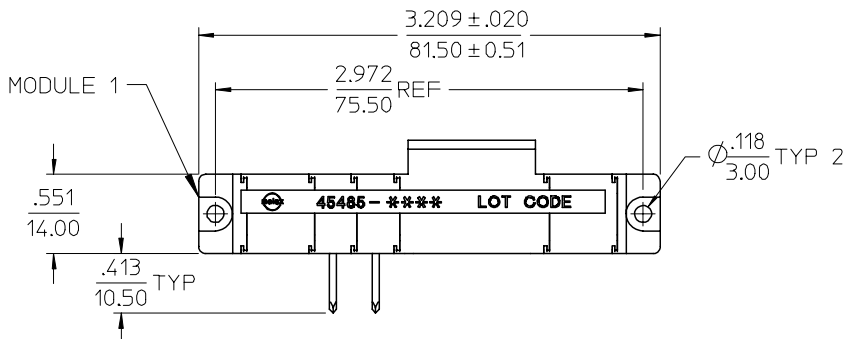


- NOTES:
1. MATERIAL: LCP, GLASS FILLED, UL94V-0, BLACK.  
CONTACTS: COPPER ALLOY
  2. FINISH: SELECT GOLD: 30 MI MIN.  
SELECT TIN: 100 MI MIN.  
BOTH OVER NICKEL
  3. PRODUCT SPECIFICATION: PS-45424-001.
  4. PACKAGING SPECIFICATION: PK-45485-001.



PCB LAYOUT: COMPONENT SIDE  
PCB THICKNESS: .093/2.36  
PCB TOLERANCE: ±.002/0.05

EC NO: UCP2005-2576	DESCRIPTION
DRWN: ADRATND2005/07/07	
CHKD: KSAMEC 2005/07/08	
APPR: APATEL 2005/07/19	
A1	REV

GENERAL TOLERANCES (UNLESS SPECIFIED)	
mm	INCH
4 PLACES ± ---	± ---
3 PLACES ± ---	± .010
2 PLACES ± 0.25	± .015
1 PLACE ± 0.38	± ---
ANGULAR ± 1/2°	
DRAFT WHERE APPLICABLE	
MUST REMAIN WITHIN DIMENSIONS	

SCALE	DESIGN UNITS
1:1.33	METRIC
DIMENSION STYLE	
IN/MM	
DRAWN BY	DATE
SAMIEC	2004/03/06
CHECKED BY	DATE
SAMIEC	2004/03/06
APPROVED BY	DATE
MARGULIS	2004/03/06

THIRD ANGLE PROJECTION	REVISE ON CAD ONLY	
TITLE		
POWER DOCK ASSEMBLY POWER RIGHT ANGLE SOLDER TAIL		
molex MOLEX INCORPORATED		
MATERIAL NO.	DOCUMENT NO.	SHEET NO.
45485-0093	SD-45485-093	1 OF 1
THIS DRAWING CONTAINS INFORMATION THAT IS PROPRIETARY TO MOLEX INCORPORATED AND SHOULD NOT BE USED WITHOUT WRITTEN PERMISSION		