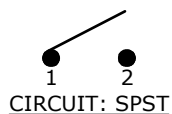


PCB PATTERN



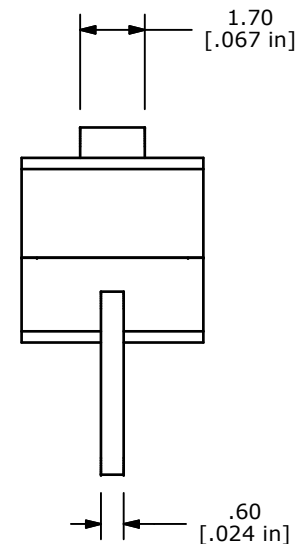
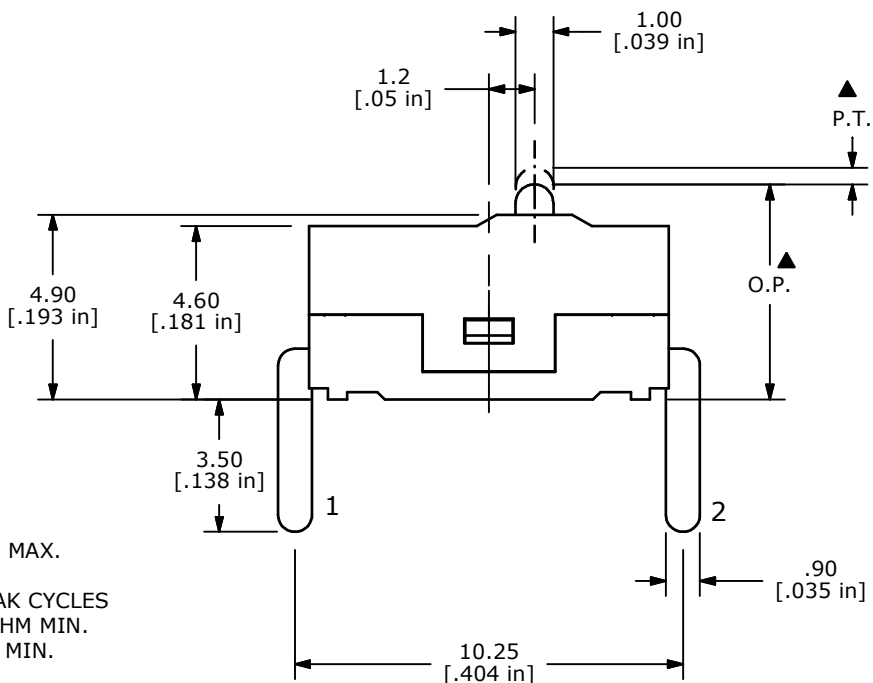
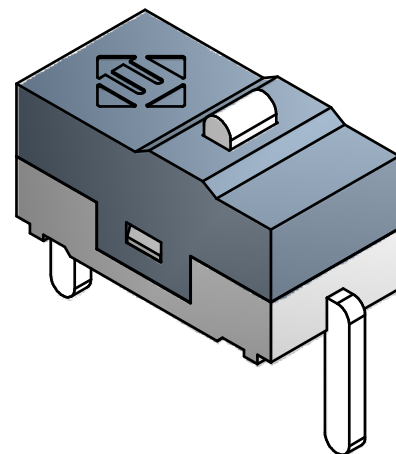
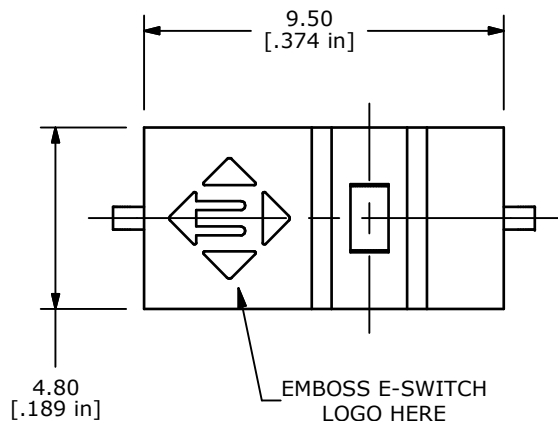
CIRCUIT: SPST

O.P. (MM)	P.T. (MM)
5.30 ± 0.2	0.35

O.P. = OPERATING POINT
P.T. = PRE-TRAVEL

NOTE:

1. ALL DIMENSIONS IN MM [INCH]
2. GENERAL TOLERANCE: X.X=±0.4
X.XX=±0.25
3. TERMINAL NUMBERS FOR REF ONLY
4. PLATING MATERIAL: SILVER
- ▲ 5. RATING: 0.1A @125VAC or 48VDC
6. CONTACT RESISTANCE: 100 mille OHMS MAX.
7. MECHANICAL LIFE: 100,000 CYCLES
8. ELECTRIC LIFE: 30,000 MAKE-AND-BREAK CYCLES
9. INSULATION RESISTANCE: 100 MEGA-OHM MIN.
10. DIELECTRIC STRENGTH: 1,500 V FOR 1 MIN.
11. OPERATING TEMP.: -15°C to 55°C
12. OPERATING FORCE: 70±20gf
13. ▲ DENOTES CRITICAL PARAMETER.
14. 2002/95/EC (ROHS) COMPLIANT



B	18400	ADD DIMS FOR C-C SPACING	2/11/09	BLR
A	17992	RELEASED FOR PRODUCTION	3/03/08	BLR
REV	PCR NO	DESCRIPTION	DATE	BY

TITLE TS10100F070P				
SCALE	DATE	DR	DWG	REV
5 : 1	2/11/2009	BLR	Q972000	B

THE INFORMATION CONTAINED IN THIS DOCUMENT IS PROPRIETARY TO E-SWITCH AND IS NOT TO BE COPIED OR TRANSFERRED