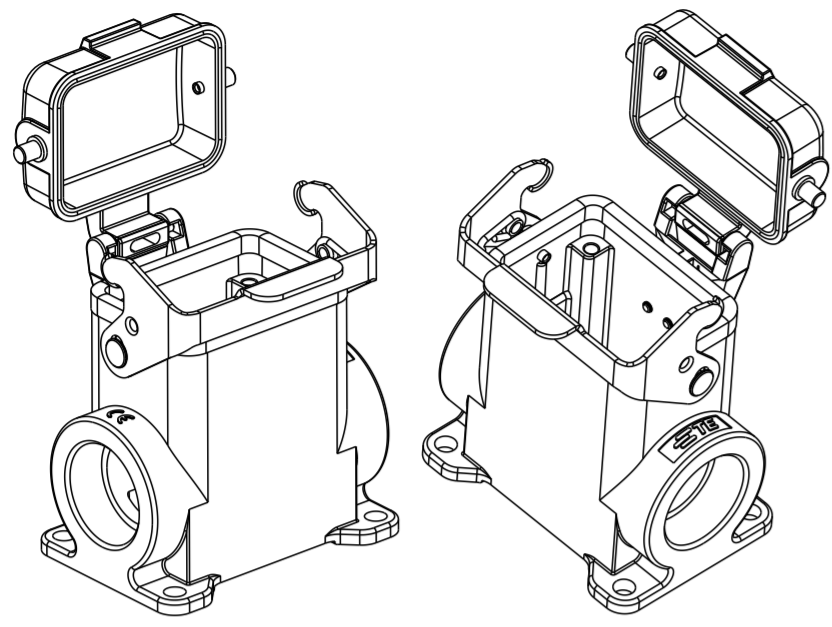
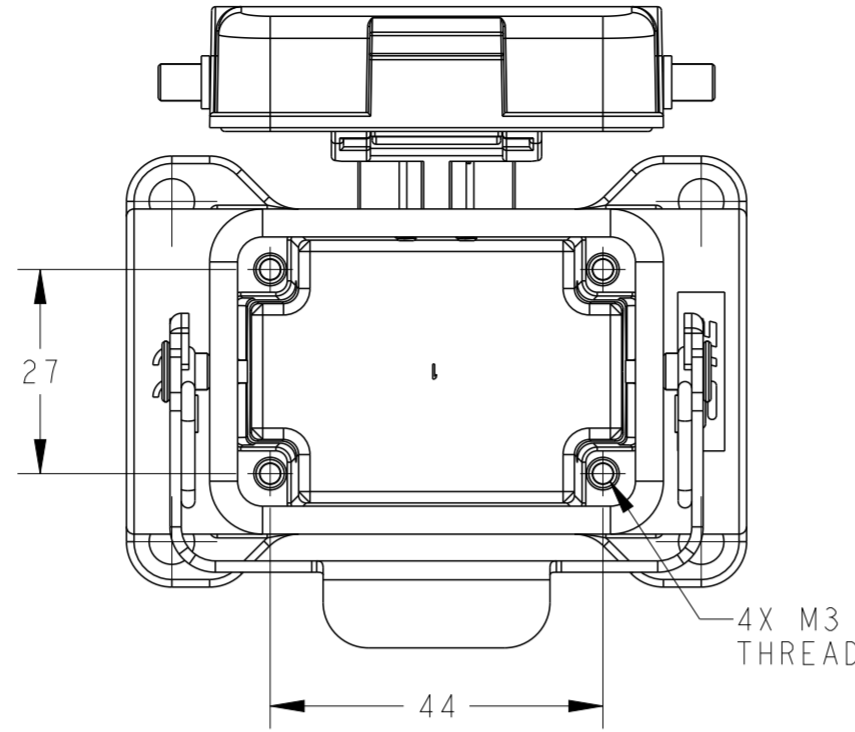


THIS DRAWING IS UNPUBLISHED. RELEASED FOR PUBLICATION 20  
 © COPYRIGHT 20 BY - ALL RIGHTS RESERVED.

REVISIONS				
P	LTR	DESCRIPTION	DATE	APVD
	A	INITIAL	23JUN2015	DW CW
	A1	ECR-19-001029	23JAN2019	RG CW
	B	ECR-20-007968	19JUN2020	WOR CW

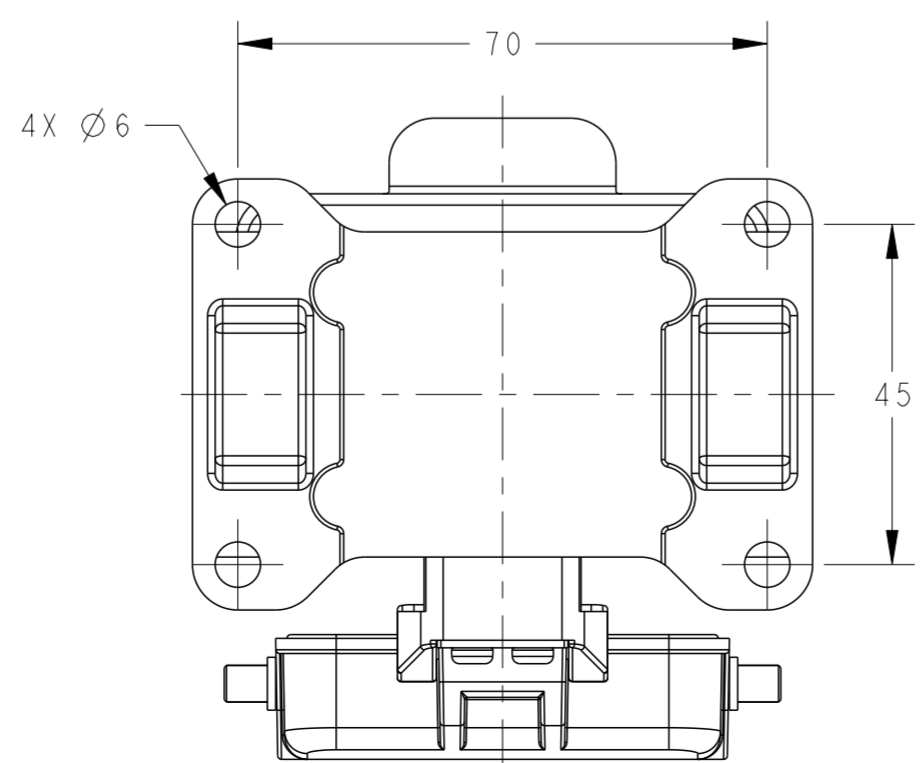
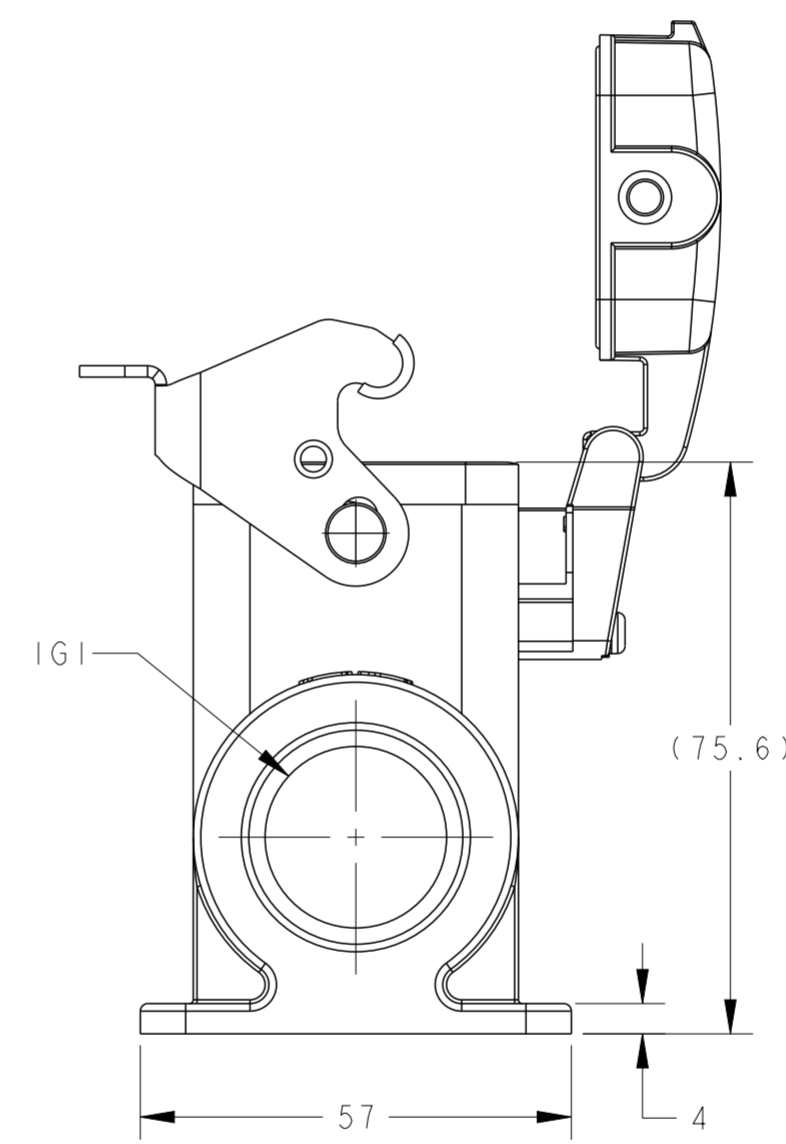
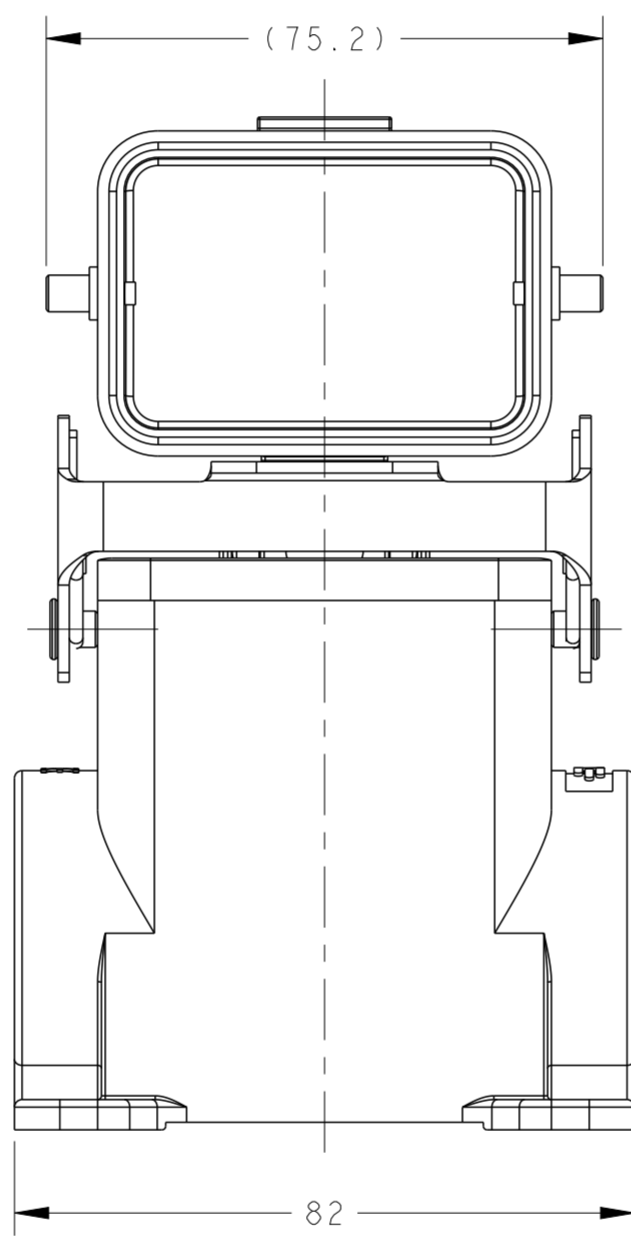
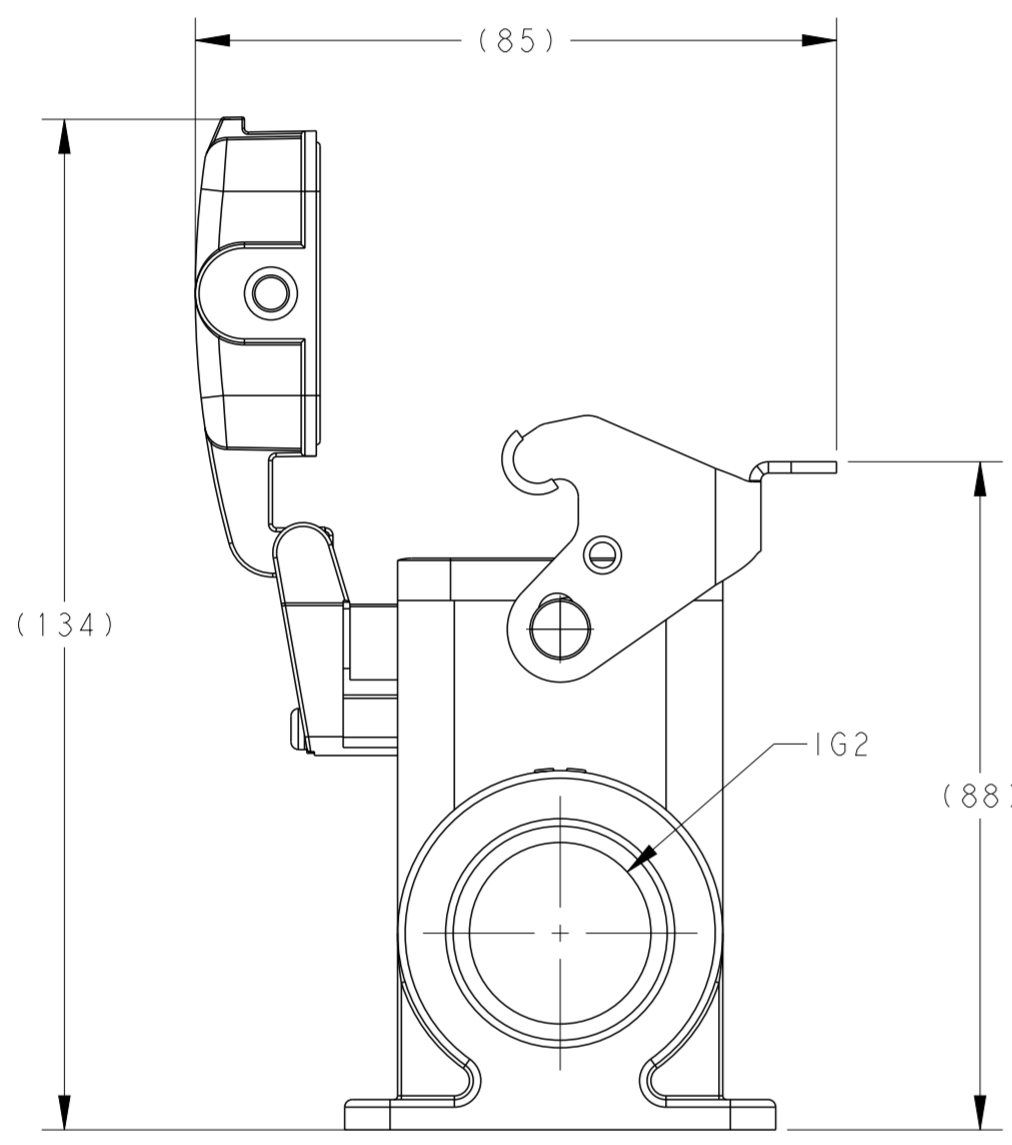


SCALE 1:2



NOTES:  
 1. TECHNICAL CHARACTERISTICS:  
 HOUSING MATERIAL: DIE CAST ALUMINIUM ALLOY  
 SURFACE: POWDER COATED, GREY  
 DEGREE OF PROTECTION: IP65 (MATED)

注释:  
 1. 技术参数:  
 表面安装外壳材料: 铝合金  
 表面处理: 粉末涂层, 灰色  
 防护等级: IP65 (配合)



PART NUMBER	DESCRIPTION	IG1	IG2
T1660063321-000	H6B-SDRHM-PG21	PG21	-
T1660063329-000	H6B-SDRHM-PG29	PG29	-
T1660063332-000	H6B-SDRHM-M32	M32	-
T1660063325-000	H6B-SDRHM-M25	M25	-
T1660060220-000	H6B-SDRHM-2M20	M20	M20
T1660063421-000	H6B-SDRHM-2PG21	PG21	PG21
T1660063429-000	H6B-SDRHM-2PG29	PG29	PG29
T1660063432-000	H6B-SDRHM-2M32	M32	M32

THIS DRAWING IS A CONTROLLED DOCUMENT.

DWN David Wang 23JUN2015	TE Connectivity	NAME H6B-SDRHM-M/PG		
CHK Chris Wang 23JUN2015		SIZE A2	CAGE CODE 00779	DRAWING NO. C-T166006XXXX000
APVD Xiang Xu 23JUN2015		RESTRICTED TO	-	
PRODUCT SPEC 108-137013		SCALE 1:1	SHEET 1	OF 1
APPLICATION SPEC 114-137013	Customer Drawing	REV B		
MATERIAL -	WEIGHT -			
DIMENSIONS: mm TOLERANCES UNLESS OTHERWISE SPECIFIED: 0 PLC ± 1 PLC ± 2 PLC ± 3 PLC ± 4 PLC ± ANGLES ± FINISH -				