

Hermetic seal for 0.38mm (.015inch) field replaceable connector

## Launch Pins Technical Data Sheet

**PE1015-6**

### Configuration

- 50 Ohms

### Applications

- General Purpose Test
- Rack and Panel Mount Applications
- Used in Field Replaceable Connectors
- Allows for Replacement of Damaged Connectors

### Description

Pasternack's PE1015-6 Hermetic seal for 0.38mm (.015inch) field replaceable connector is part of our complete line of Connector Launch Accessories available for same-day shipping. This range of accessories includes Glass bead Transitions, Launch Pin & Dielectric Transitions and Pin/Tab Transitions to Microstrip and Stripline Circuits in conjunction with our line of field replaceable flange connectors. These accessories are designed to be compatible with our line of Field Replaceable Connectors to ensure optimal electrical performance for PCB test applications. They are available in commonly used pin diameters of .009", .012", .015", .018", .020" and .036" and in a variety of lengths and sizes depending on the application.

Our PE1015-6 Hermetic seal for 0.38mm (.015inch) field replaceable connector datasheet specifications are shown below in this PDF. Pasternack's broad catalog of RF, microwave and millimeter wave connectors allows designers to configure and customize their signal connections however they like. Whether the need is to provide an I/O for a board design, or simply create a custom cable assembly configuration, Pasternack has the right connector for the job. Pasternack can also expertly build your custom cable assemblies for you and ship same day.

### Mechanical Specifications

#### Dimensions

|                     |                    |
|---------------------|--------------------|
| Pin Length          | 0.237 in [6.02 mm] |
| Pin Diameter        | 0.015 in [0.38 mm] |
| Tab Diameter        | 0.007 in [0.18 mm] |
| Dielectric Length   | 0.062 in [1.57 mm] |
| Dielectric Diameter | 0.098 in [2.49 mm] |
| Conn End Pin Length | 0.05 in [1.27 mm]  |

**Compliance Certifications** (see [product page](#) for current document)

### Plotted and Other Data

Notes:

Click the following link (or enter part number in "SEARCH" on website) to obtain additional part information including price, inventory and certifications: [Hermetic seal for 0.38mm \(.015inch\) field replaceable connector PE1015-6](#)



Hermetic seal for 0.38mm (.015inch) field replaceable connector

## Launch Pins Technical Data Sheet

**PE1015-6**

Hermetic seal for 0.38mm (.015inch) field replaceable connector from Pasternack Enterprises has same day shipment for domestic and International orders. Our RF, microwave and millimeter wave products maintain a 99.4% availability and are part of the broadest selection in the industry.

Click the following link (or enter part number in "SEARCH" on website) to obtain additional part information including price, inventory and certifications: [Hermetic seal for 0.38mm \(.015inch\) field replaceable connector PE1015-6](#)

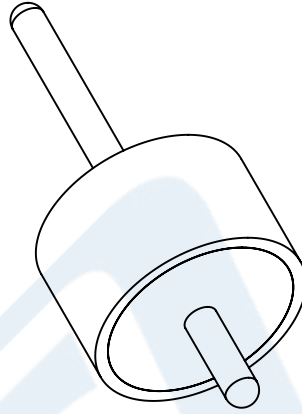
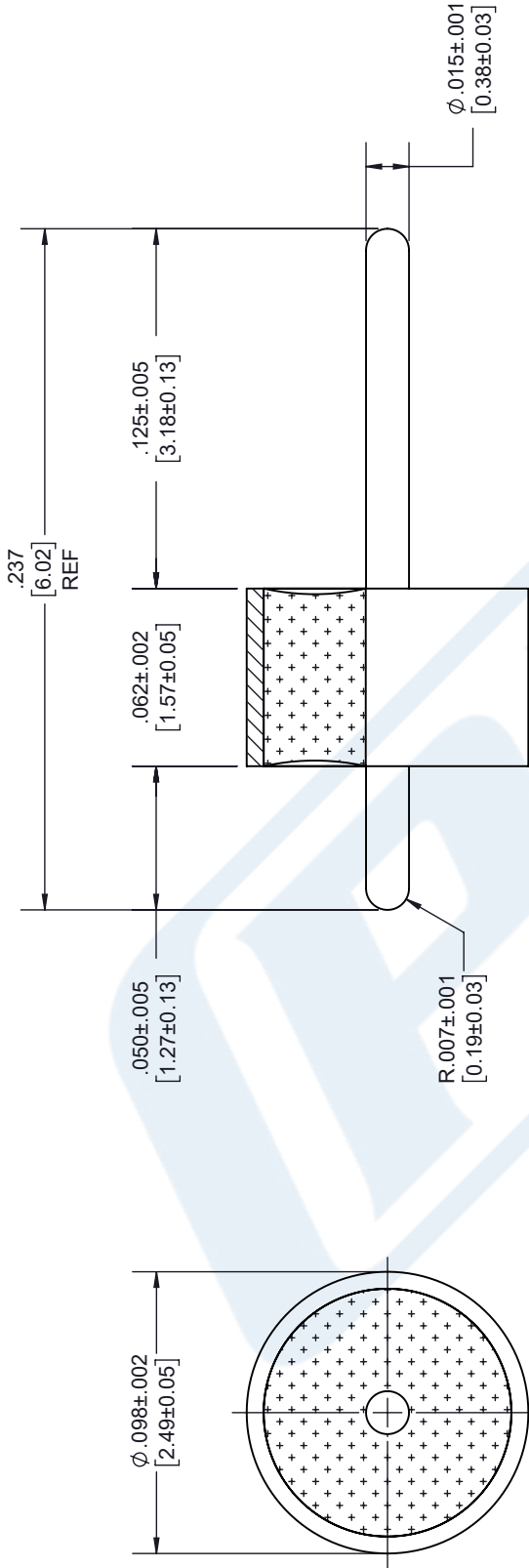
URL: <https://www.pasternack.com/hermetic-seal-solder-contact-0.015-pin-diameter-0.098-body-0.237-pin-pe1015-6-p.aspx>

The information contained in this document is accurate to the best of our knowledge and representative of the part described herein. It may be necessary to make modifications to the part and/or the documentation of the part, in order to implement improvements. Pasternack reserves the right to make such changes as required. Unless otherwise stated, all specifications are nominal. Pasternack does not make any representation or warranty regarding the suitability of the part described herein for any particular purpose, and Pasternack does not assume any liability arising out of the use of any part or documentation.

# PE1015-6 CAD Drawing

Hermetic seal for 0.38mm (.015inch) field replaceable connector

| REVISIONS |                 |          |          |
|-----------|-----------------|----------|----------|
| REV.      | DESCRIPTION     | DATE     | APPROVED |
| A         | INITIAL RELEASE | 2/5/2021 | S. ELLIS |



|  |   |
|--|---|
| <p>UNLESS OTHERWISE SPECIFIED LEADING DIMENSIONS ARE INCHES DIMENSIONS IN [ ] ARE MILLIMETERS</p> <p>TOLERANCES:</p> <p>.X = ±.2 [ .008]    FRACTIONS ± 1/32<br/>         .XX = ±.02 [ .51]    ANGLES ± 1°<br/>         .XXX = ±.005 [ .13]</p> <p>CABLE LENGTH (L): TOLERANCES:<br/>         L ≤ 12 [305] = +1 [25] / -0<br/>         12 [305] &lt; L ≤ 60 [1524] = +2 [51] / -0<br/>         60 [1524] &lt; L ≤ 120 [3048] = +4 [102] / -0<br/>         120 [3048] &lt; L ≤ 300 [7620] = +6 [152] / -0<br/>         300 [7620] &lt; L = +5% / -0</p> <p>ALL DIMENSIONS SHOWN ARE FOR REFERENCE ONLY.</p> | <p>THIRD-ANGLE PROJECTION</p> <p>THE INFORMATION AND DESIGN IN THIS DOCUMENT IS THE PROPERTY OF PASTERNAK CORPORATION ALL RIGHTS RESERVED.</p> <p>SHEET 1 OF 1</p> <p>SCALE N/A</p> |
|  | <p>ITEM NO. PE1015-6</p> <p>REV A</p>   |
| <p>SIZE A</p> <p>CAGE CODE 53919</p> <p>DRAWN BY K.DANG</p>  | <p>ITEM NO. PE1015-6</p> <p>REV A</p>   |

**NOTES:**

- HERMETICITY 1E(-8) STD CC/SEC @1ATM.
- FINISH (PLATING THICKNESS IN MICRO-INCHES)
  - GLASS + KOVAR
  - GOLD PL.50 MIN. OVER NICKEL PL.100 MIN.

THESE COMMODITIES, TECHNOLOGY OR SOFTWARE WERE EXPORTED FROM THE UNITED STATES IN ACCORDANCE WITH THE EXPORT ADMINISTRATION REGULATIONS. DIVERSION CONTRARY TO U.S. LAW PROHIBITED.