

1 2 3 4 5 6 7 8

COUNT	DESCRIPTION OF REVISIONS	BY	CHKD	DATE	COUNT	DESCRIPTION OF REVISIONS	BY	CHKD	DATE
△				. .	△				. .
△				. .	△				. .
△				. .	△				. .

A

A

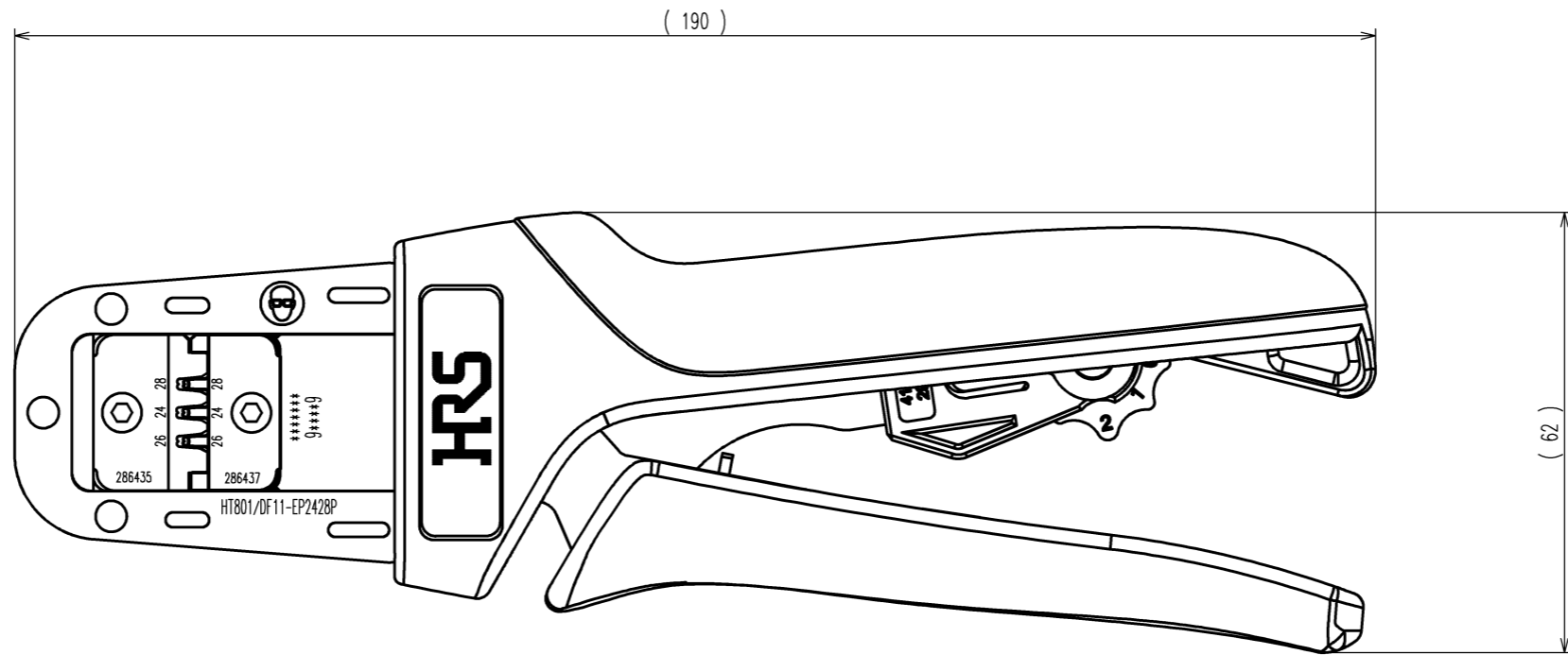
B

B



C

C



D

D

E

E

Notes : Contact of DF11-EP2428PC(CL543-0616-7) is assembled for this tool.

TO
PE

F

F

2			4		
1			3		
NO.	MATERIAL	FINISH, REMARKS	NO.	MATERIAL	FINISH, REMARKS
CODE NO. (OLD) CL			DRAWN H.KUDO 14.10.2	DESIGNED M.TAKAHASHI 14.10.2	CHECKED S.OIZUMI 14.10.3
			APPROVED T.ITO 14.10.3	RELEASED . .	
DRAWING NO. EDC3-276313			PART NO. HT801/DF11-EP2428P		
SCALE 1 : 1			CODE NO. CL550-0409-0		
UNITS mm			HRS HIROSE ELECTRIC CO., LTD		
					1/1

1 2 3 4 5 6 7 8