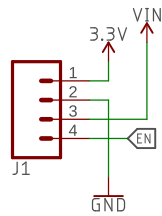
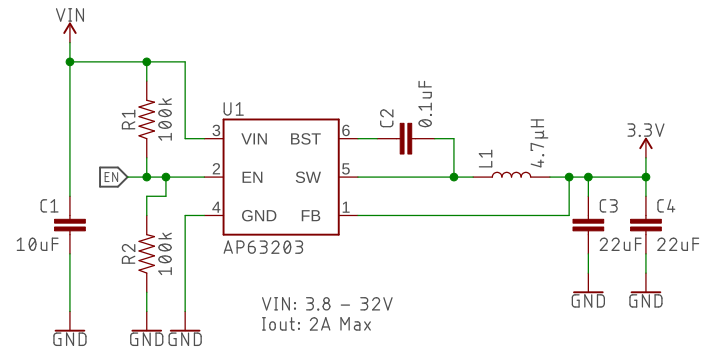


## Connector



## Buck Regulator



### Special Instructions

Released under the Creative Commons  
 Attribution Share-Alike 4.0 License  
<https://creativecommons.org/licenses/by-sa/4.0/>



TITLE: SparkFun BabyBuck Regulator – AP63203

Design by: Alex Wende

REV:  
V10

Date: 6/23/2021 11:35 AM

Sheet: 1/1



open hardware