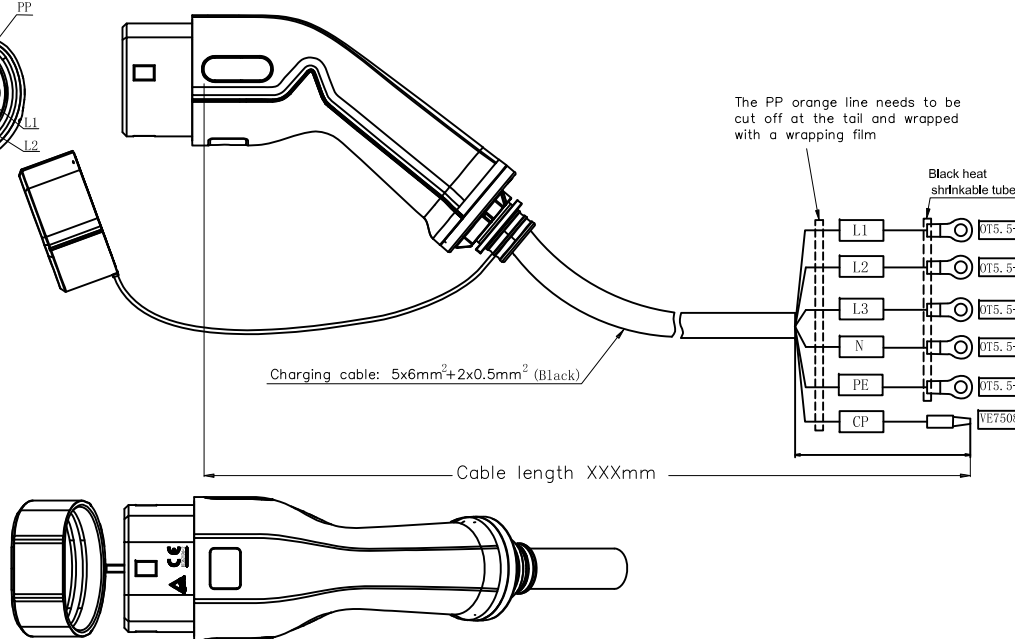
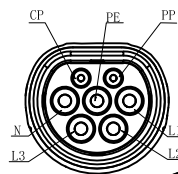


APPROVED: _____
 DATE: _____ TITLE: _____

Rev	AWO #	Description	Date	Appr
-		RELEASED	3/4/20	

Pin Layout Chart

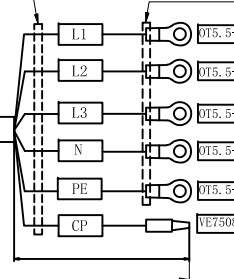


Charging cable: 5x6mm²+2x0.5mm² (Black)

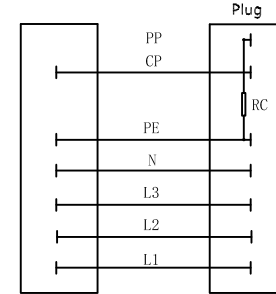
Cable length XXXmm

The PP orange line needs to be cut off at the tail and wrapped with a wrapping film

Black heat shrinkable tube



Method of connecting wire



Remark:
RC=220 Ω

Function	Color	32A	480V	AC
PP	—	—	—	—
CP	White	0.6mm ²		
PE	Yellow-Green	6mm ²		
N	Blue	6mm ²		
L3	Black	6mm ²		
L2	Gray	6mm ²		
L1	Brown	6mm ²		

SPECIFICATIONS:

Material:
 Insulator: PC+PA66, Glass reinforced, Thermoplastic, rated UL 94V-0
 Insulator color: Black
 Contacts: Copper Alloy, Silver plated surface
 Electrical:
 Current rating: 32A
 Voltage rating: 480 VAC
 Contact Impedance: 0.5 mohms max
 Insulation resistance: 1,000 Mohms min, DC 500V
 Dielectric withstanding voltage: 2,000V
 Mechanical:
 Mechanical life: unloaded plugged: >10,000
 Insertion and Extraction Force: <100N
 Temperature Rating:
 Operating temperature: -30°C to +50°C
 Environmental:
 Waterproof grade: IP55
 Lead free, RoHS compliant



Charging plug: according to IEC62196-1 2014, IEC62196-2 2017 standard
 Charging cable: 5x6mm²+2x0.5mm² (outer leather material TPE)

UNLESS OTHERWISE SPECIFIED ALL DIMENSIONS ARE MILLIMETERS TOLERANCES: EXCEPT AS NOTED		ADAM TECH 909 Rahway Avenue, Union, NJ 07083	
MM .X ± 0.50 .XX ± 0.50 .XXX ± 0.20		Phone: 908-687-5000 Fax: 908-687-5710	
ANGLE X.X° ±1°		INTERCONNECTS	
APPROVALS		TITLE	
DRAWN OW		CABLE ASSEMBLY EV CHARGER	
CHECKED AC		TYPE 2 FEMALE PLUG 32A 3PHASE 6MM ² TUV	
APPROVED		SIZE X	PART NO. CA #EVO3BT-004-XM
		REF: -	SCALE: NTS
		SHEET 1 OF 1	

6 5 4 3 2 1

6 5 4 3 2 1