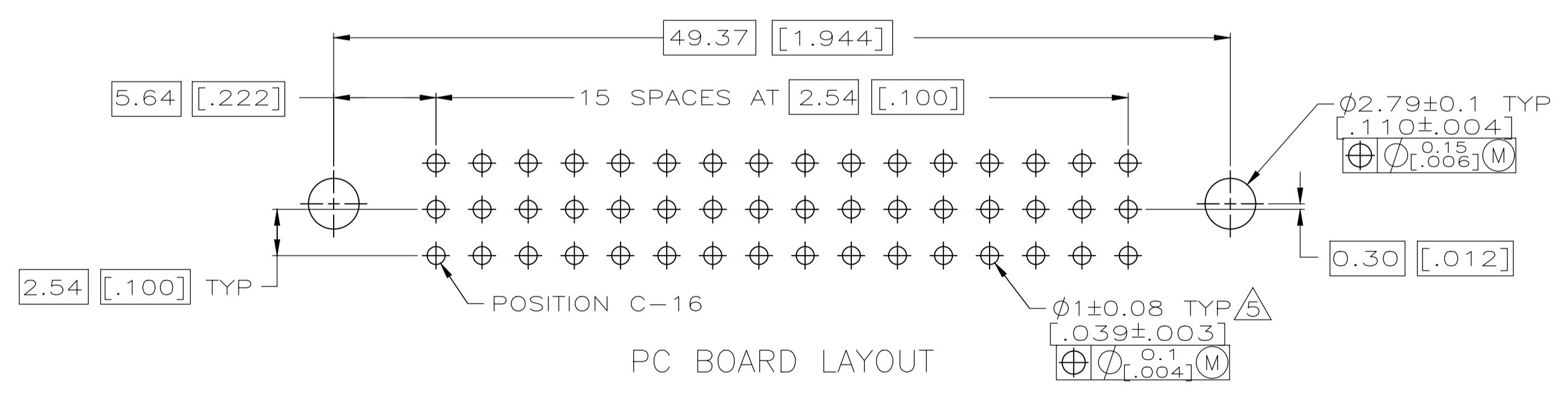
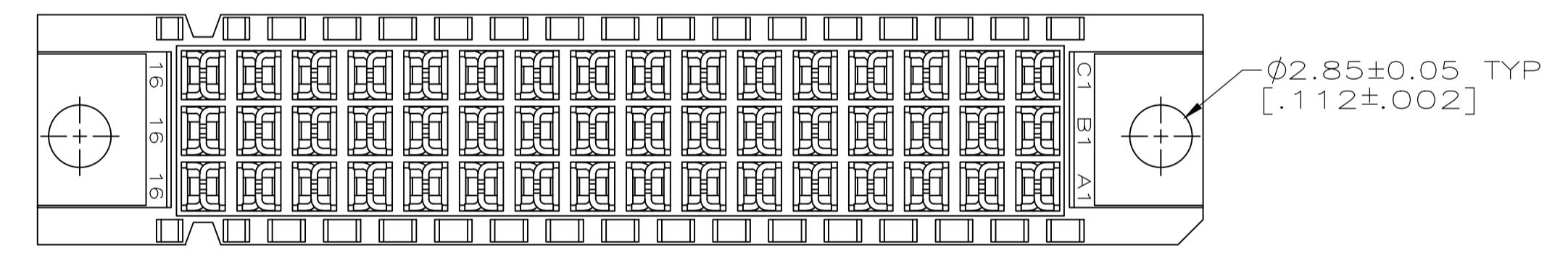
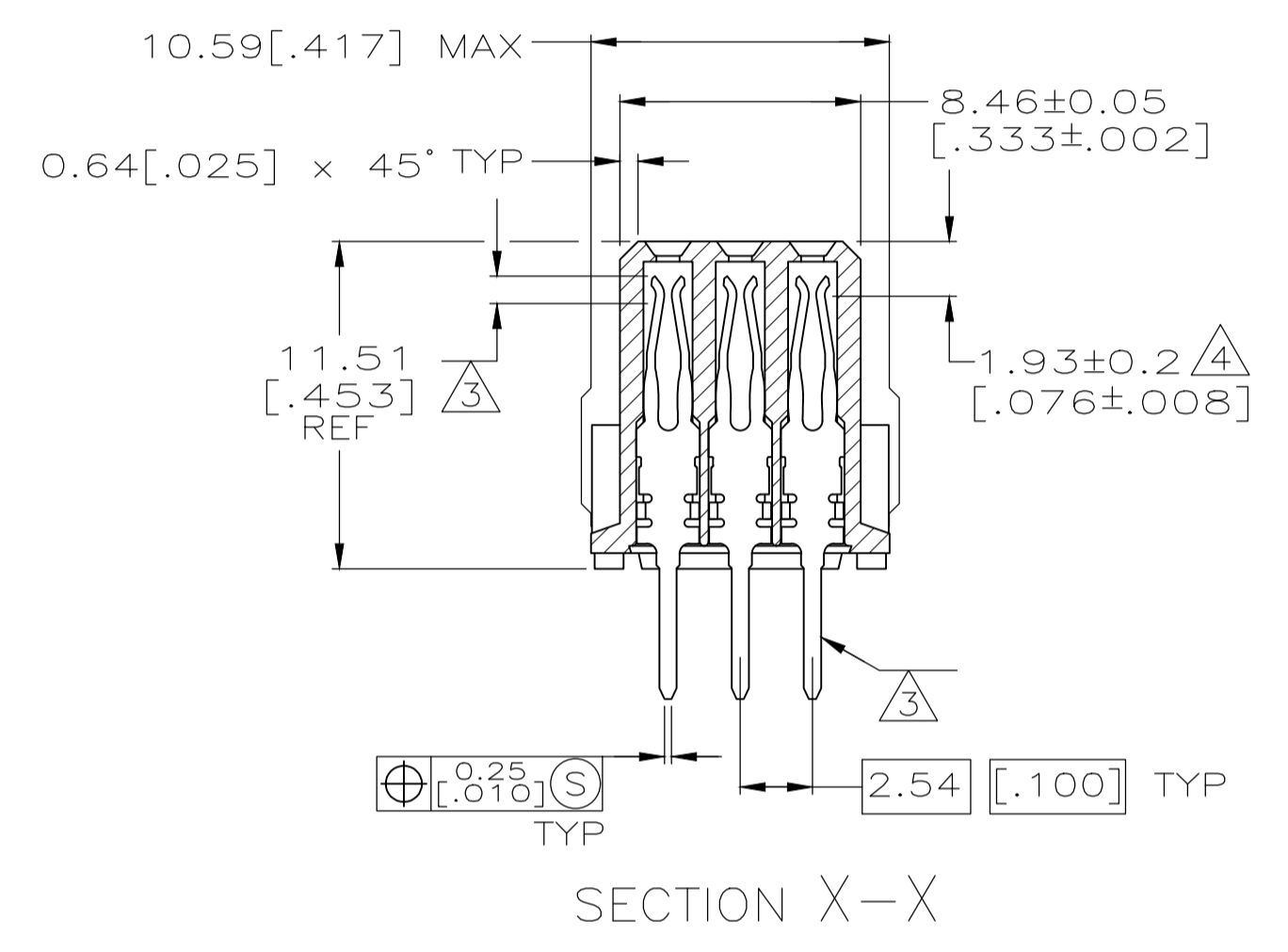
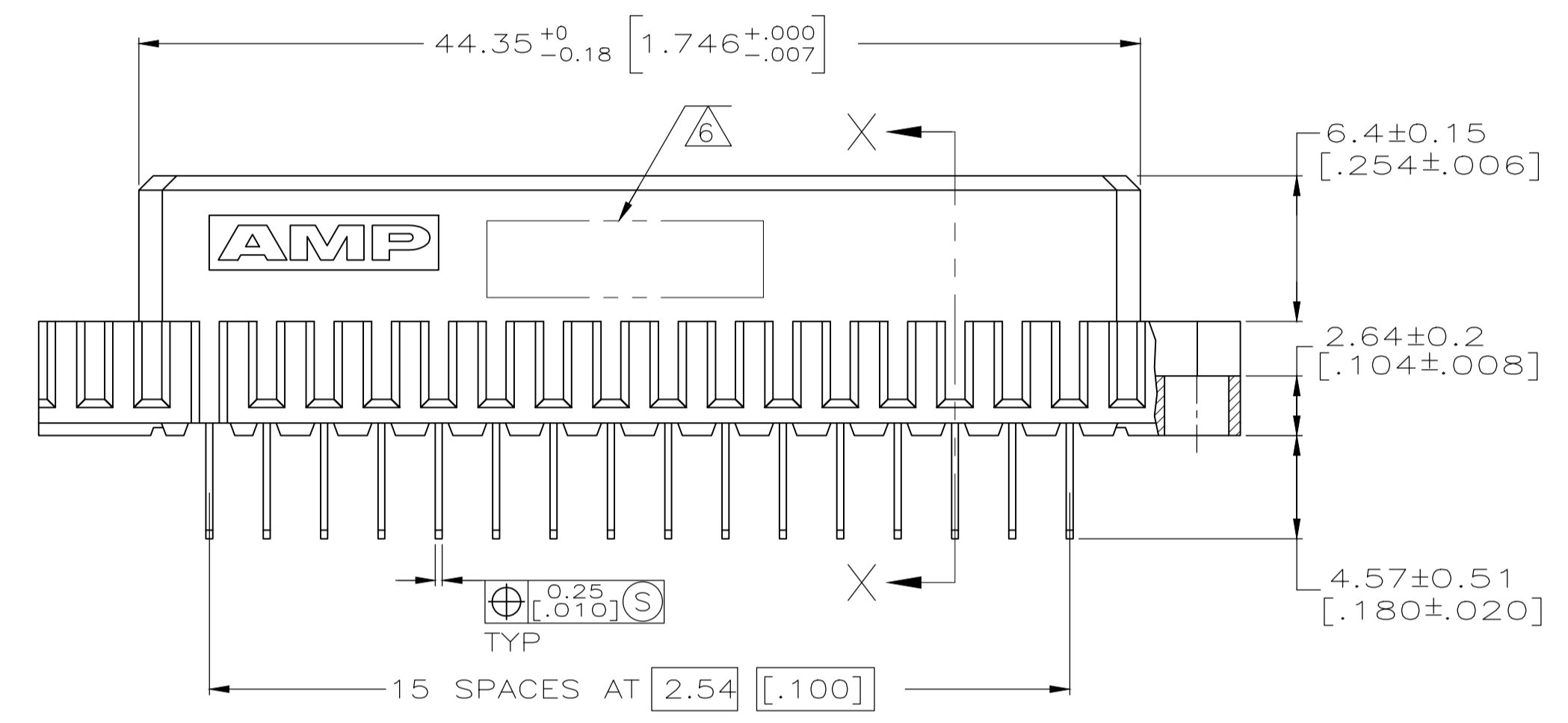
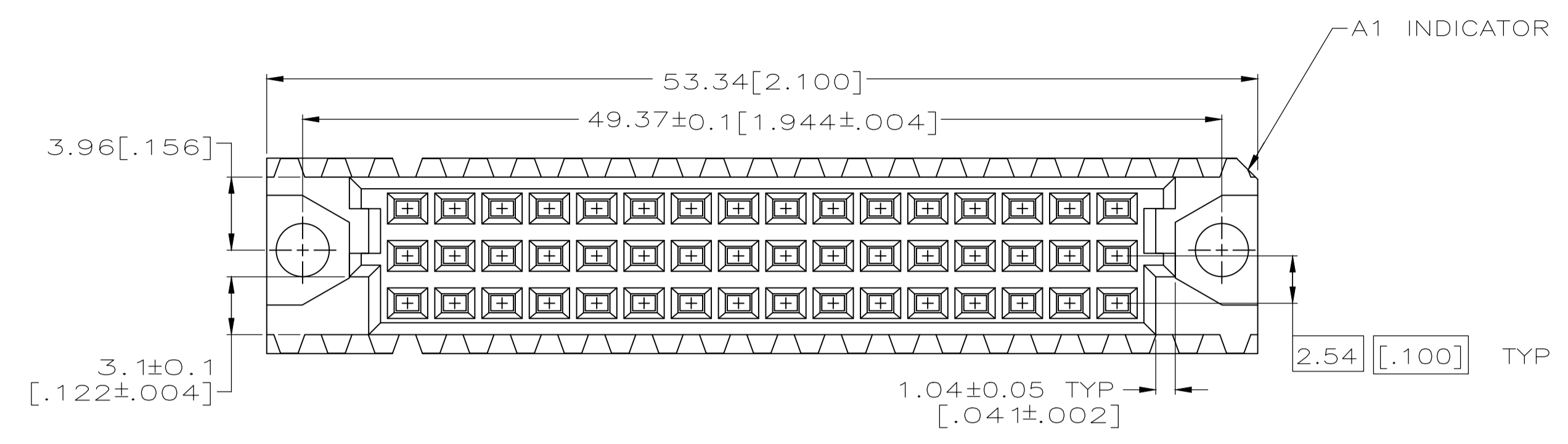


REVISIONS				
REV	DATE	DESCRIPTION	BY	CHKD
A	16MAR2020	REVISED PER ECO-20-002189	SY	HL

- ① HOUSING MATERIAL: GLASS-FILLED POLYMER.
- ② CONTACT MATERIAL: COPPER ALLOY.
- ③ CONTACT FINISH: DIN 41612 CLASS 2 IN CONTACT AREA. TIN PLATE ON POSTS.
- ④ CONTACT POINT.
- ⑤ RECOMMENDED HOLE SIZE FOR MANUAL APPLICATION OF CONNECTOR ONTO PC BOARD.
- ⑥ PART NUMBER, DATE CODE IDENTIFICATION, CSA LOGO IN THIS APPROXIMATE AREA, ON REVERSE SIDE.



REV	DATE	DESCRIPTION	BY	CHKD
1	27MAY05	1 THRU 16	X	X
2	27MAY05	1 THRU 16	X	X
3	27MAY05	1 THRU 16	X	X

NOTES	POSITIONS LOADED	ROWS LOADED	NO. OF LOADED POSITIONS	ASSY PART NUMBER
③	1 THRU 16	X X X	48	5535071-5
③	1 THRU 16	X X X	48	5535071-4

THIS DRAWING IS A CONTROLLED DOCUMENT.		DWN J. POLIGNONE 27MAY05	TE Connectivity	
DIMENSIONS: mm [INCHES]	TOLERANCES UNLESS OTHERWISE SPECIFIED:	CHK A. SHARPE 27MAY05	ASSEMBLY, RECEPTACLE, EUROCARD, TYPE 1/2C, 48 POSITION, 4.57[.180] SOLDER POSTS	
0 PLC ± -	1 PLC ± -	APVD A. SHARPE 27MAY05	SIZE A1	CAGE CODE 00779
2 PLC ± -	3 PLC ± 0.13[.005]	PRODUCT SPEC	DRAWING NO 5535071	RESTRICTED TO
4 PLC ± -	ANGLES ± -	APPLICATION SPEC	SCALE 4:1	SHEET 1 OF 1
MATERIAL	FINISH	WEIGHT 0.000000	REV A	
CUSTOMER DRAWING		SCALE 4:1 SHEET 1 OF 1 REV A		