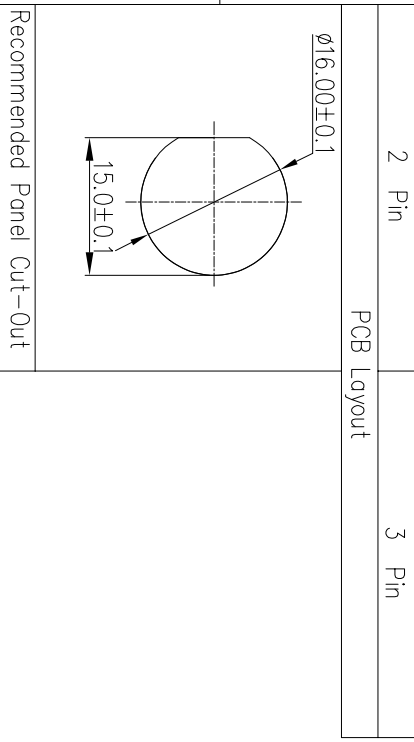
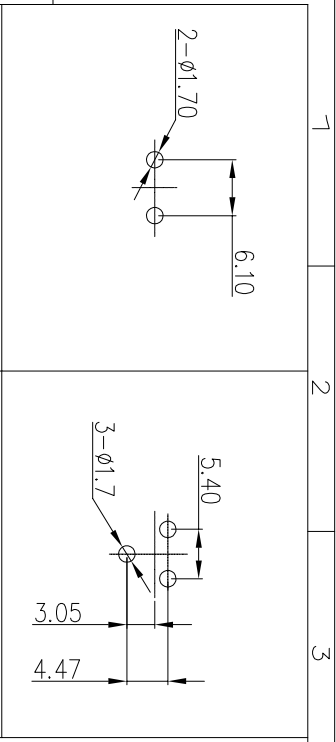
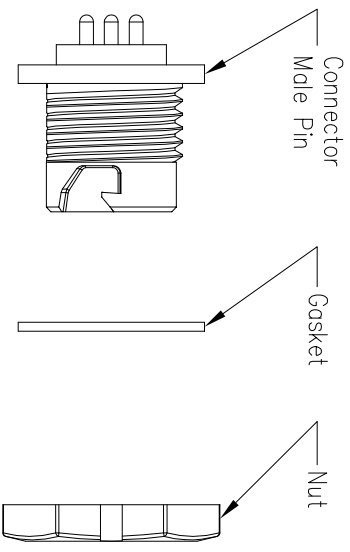
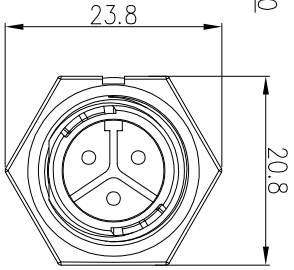
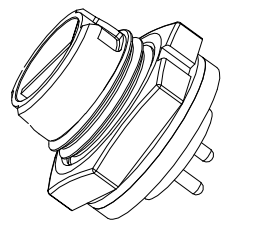
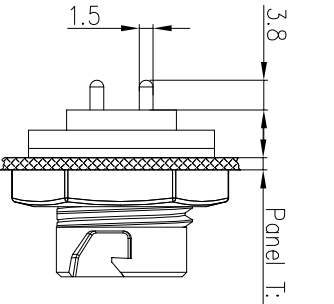
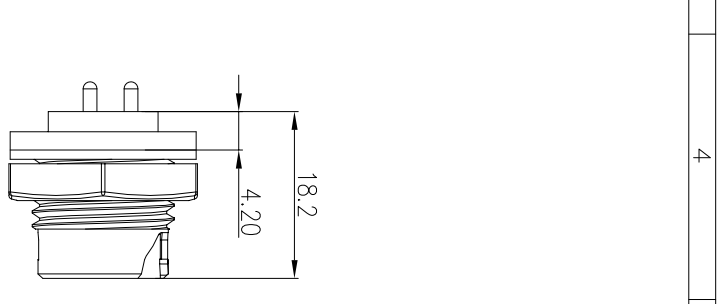


REV.	EN. NO.	DESCRIPTION	SIGN	DATE
C1	N/A	INITIAL DRAWING	Liu	2019/08/13



1	2	3
2 Pin	3 Pin	
PCB Layout		
Pin Assignments Front View		
P/N: 22002535-02	P/N: 22003535-02	
UNIT: mm		
TOLERANCE X ±0.25 .XX ±0.15 .XXX ±0.05 ANGLES ±1°		
DESCRIPTION		
Standard Series Push Lock Front Mount With Male Pin(PCB)		
SCALE: 1:1		
REV: C1	SIZE: A4	SHEET: 1 OF 1
* : Inspection Item		



- Specification:
- 1.Operation Temperature: -45°C~105°C.
 - 2.Insulation Resistance:100MΩ at DC500V.
 - 3.Contact Resistance:<10mΩ.
 - 4.Withstand Voltage: 2000V AC
 - 5.Operating Current:10A
 - 6.Operating Voltage:AC 300V
 - 7.Waterproof Rate:IP67 (Mated)
 - 8.Housing:Nylon, Black
 - 9.Male Pin:Copper Alloy, Gold Plated
 - 10.Gasket:Silicon Gray
 - 11.Panel Nut:Nylon, Orange
 - 12.RoHS Compliant.
 - 13.Mating Cap P/N: 806-00053-00

CHOGORI		PART NO	22XXX535-02	DRAWN BY	Liu	DATE	2019/08/13
		DWG NO		CHECKED BY	Mo	DATE	2019/08/13
		CUSTOMER		APPROVED BY	Ponson	DATE	2019/08/13