

THIS DRAWING IS UNPUBLISHED.

RELEASED FOR PUBLICATION

ALL RIGHTS RESERVED.

© COPYRIGHT - By -

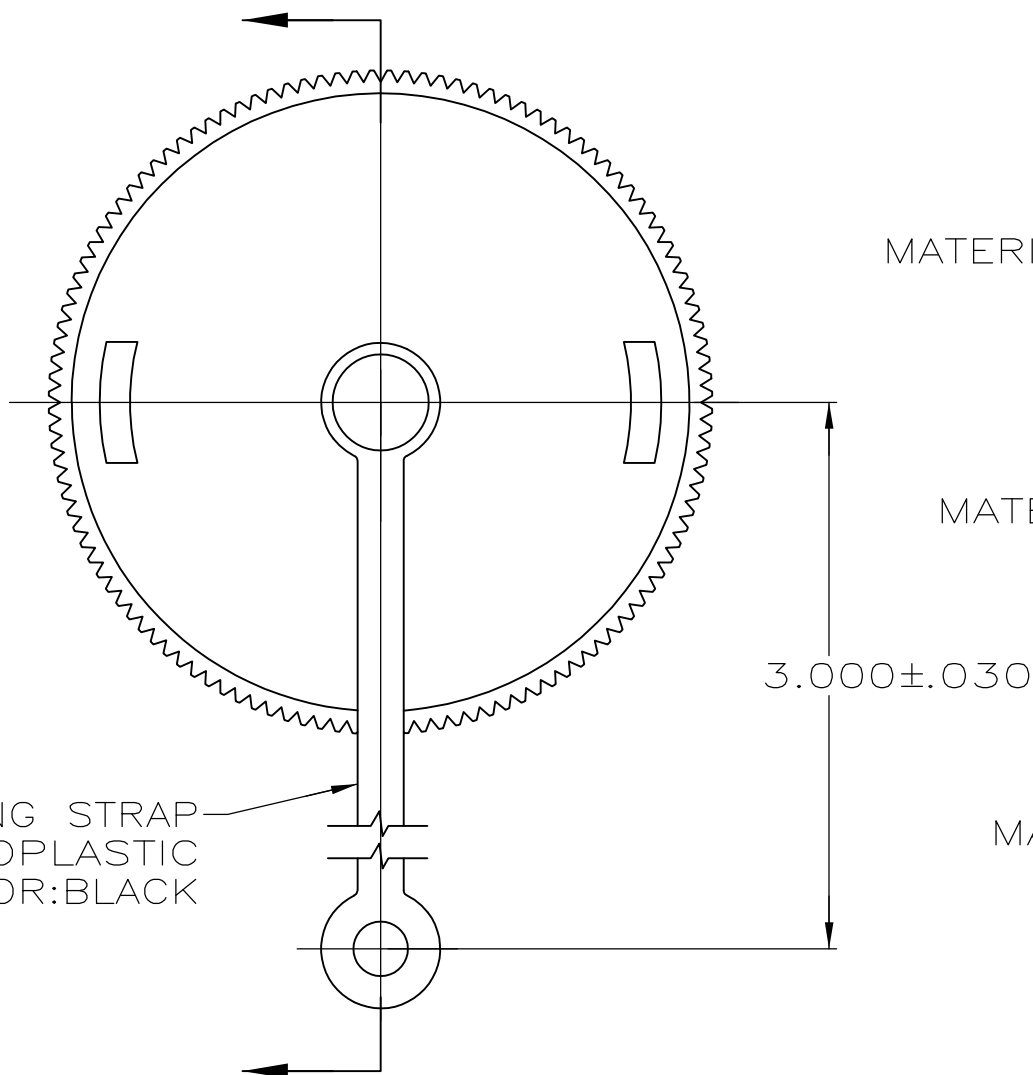
LOC  
BD

DIST  
35

REVISIONS

P	LTR	DESCRIPTION	DATE	DWN	APVD
G3		REVISED PER ECO-11-004917	11MAR11	RK	HMR

- 1 FINISH: ZINC PLATE WITH CLEAR CHROMATE
- 2 FINISH: ZINC PLATE WITH NON-HEXAVALENT CHROMATE



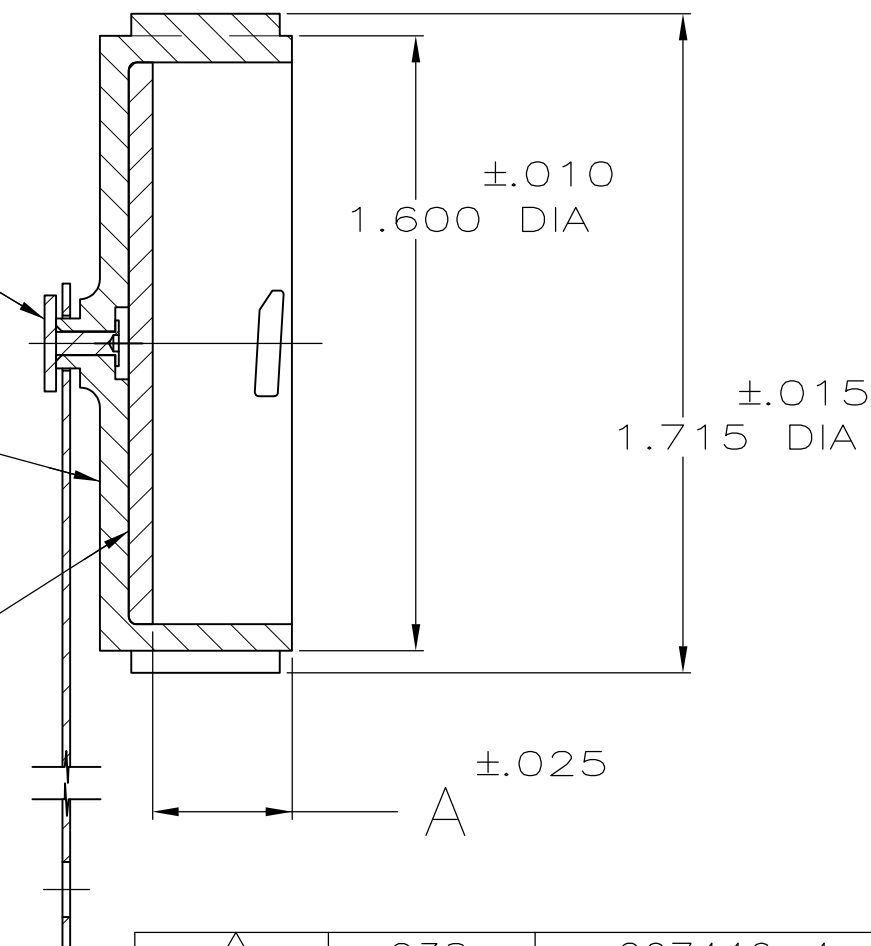
MATERIAL: CARBON



RIVET  
STEEL

SEALING CAP  
MATERIAL: THERMOPLASTIC  
COLOR: BLACK

SEALING GASKET  
MATERIAL: ELASTOMER  
COLOR: BLACK



SUPERCEDED BY 207446-4

SUPERCEDED BY 207446-3

2	.238	207446-4
2	.363	207446-3
1	.238	207446-2
1	.363	207446-1
FINISH	A	PART NUMBER

THIS DRAWING IS A CONTROLLED DOCUMENT.		DWN S.RIDGLEY BG 8/1/90	<b>STE</b> TE Connectivity	
DIMENSIONS: INCHES		CHK R.STONE 4-26-91		
TOLERANCES UNLESS OTHERWISE SPECIFIED:		APVD K.BEAVER 4-30-91	NAME	
0 PLC ± -		PRODUCT SPEC	SEALING CAP ASSY, SIZE 23, CPC	
1 PLC ± -		APPLICATION SPEC	RESTRICTED TO	
2 PLC ± -		WEIGHT	SIZE	CAGE CODE
3 PLC ± .005		—	A3	00779
4 PLC ± -		CUSTOMER DRAWING	DRAWING NO	—
ANGLES ± -		SCALE	2:1	SHEET
MATERIAL SEE CALLOUTS		FINISH SEE CALLOUTS	G-207446	1 OF 1
		REV	G3	