

REVISIONS					
P	LTR	DESCRIPTION	DATE	DWN	APVD
B		REVISED PER ECO-16-018096	29MAY2017	RK	PO

SPECIFICATIONS:  
 MAKE-BEFORE-BREAK

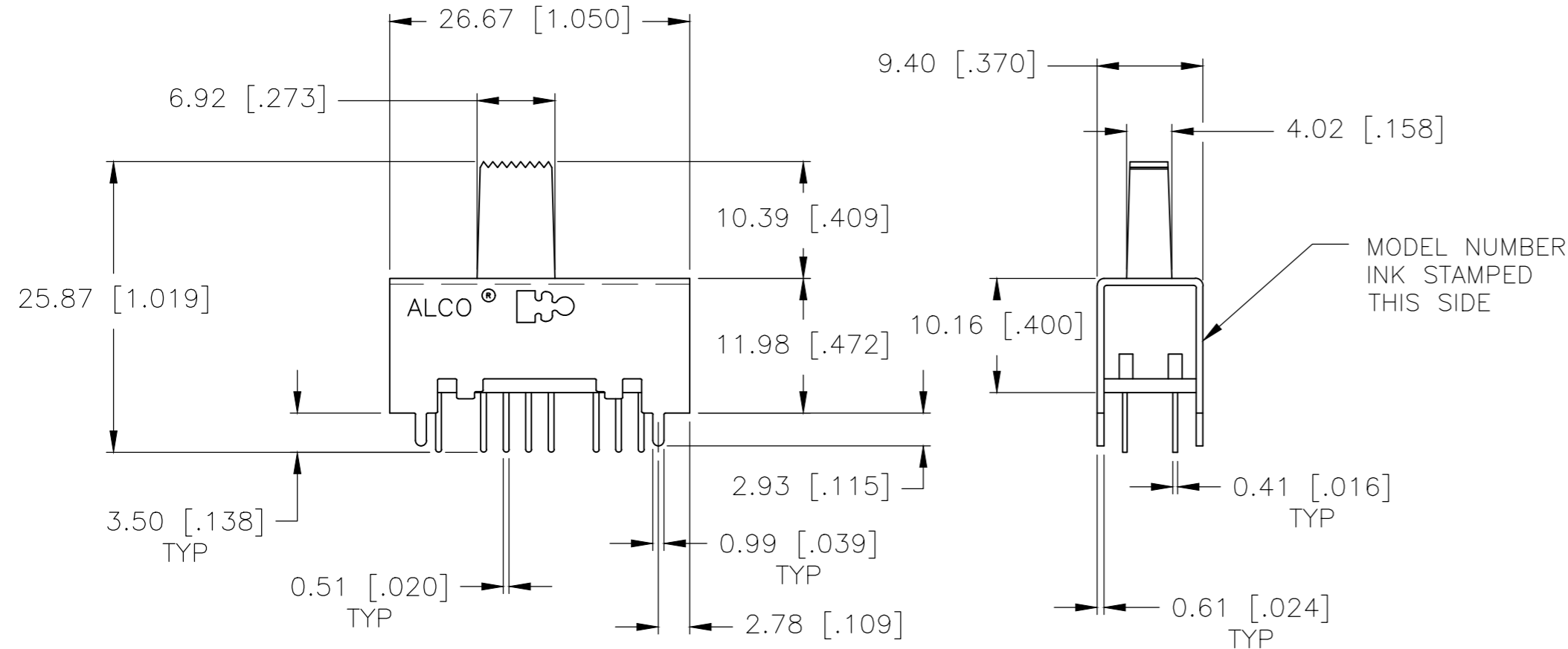
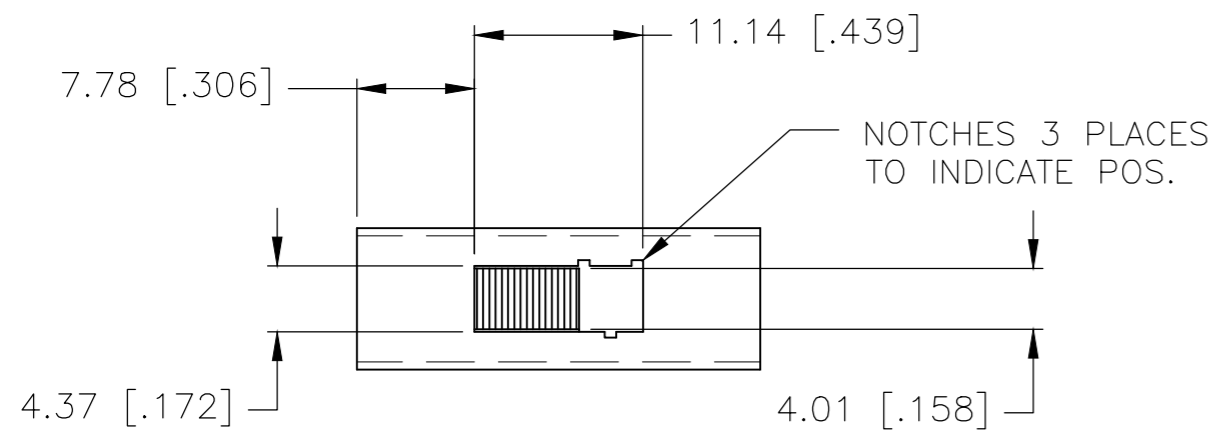
MATERIALS:  
 ACTUATOR - NYLON 66 UL94V-0, BLACK  
 FRAME - TIN PLATED STEEL  
 TERMINAL BOARD - PHENOLIC LAMINATE UL94HB, NATURAL  
 TERMINAL (SILVER) - COPPER ALLOY- SILVER OVER NICKEL PLATE  
 TERMINAL (GOLD) - COPPER ALLOY- TIN OVER NICKEL PLATE  
 FIXED CONTACT (SILVER) - COPPER ALLOY- SILVER OVER NICKEL PLATE  
 FIXED CONTACT (GOLD) - COPPER ALLOY-GOLD OVER NICKEL PLATE  
 MOVING CONTACT (SILVER) - COPPER ALLOY- SILVER OVER NICKEL PLATE  
 MOVING CONTACT (GOLD) - COPPER ALLOY-GOLD OVER NICKEL PLATE  
 DETENT BALL - STAINLESS STEEL  
 COIL SPRING - TEMPERED STEEL WIRE  
 SEAL - EPOXY

ELECTRICAL:  
 CONTACT RATING - .4VA@20VDC OR PEAK AC (GOLD)  
 300mA@125V AC (SILVER)  
 INITIAL CONTACT RESISTANCE - 30milliohm max.  
 FINAL CONTACT RESISTANCE - 100milliohm max> (AFTER TEST)  
 INSULATION RESISTANCE - 1,000Megohms min."  
 DIELECTRIC STRENGTH - 500V RMS@SEA LEVEL  
 LIFE EXPECTANCY - 15,000 CYCLES MIN."

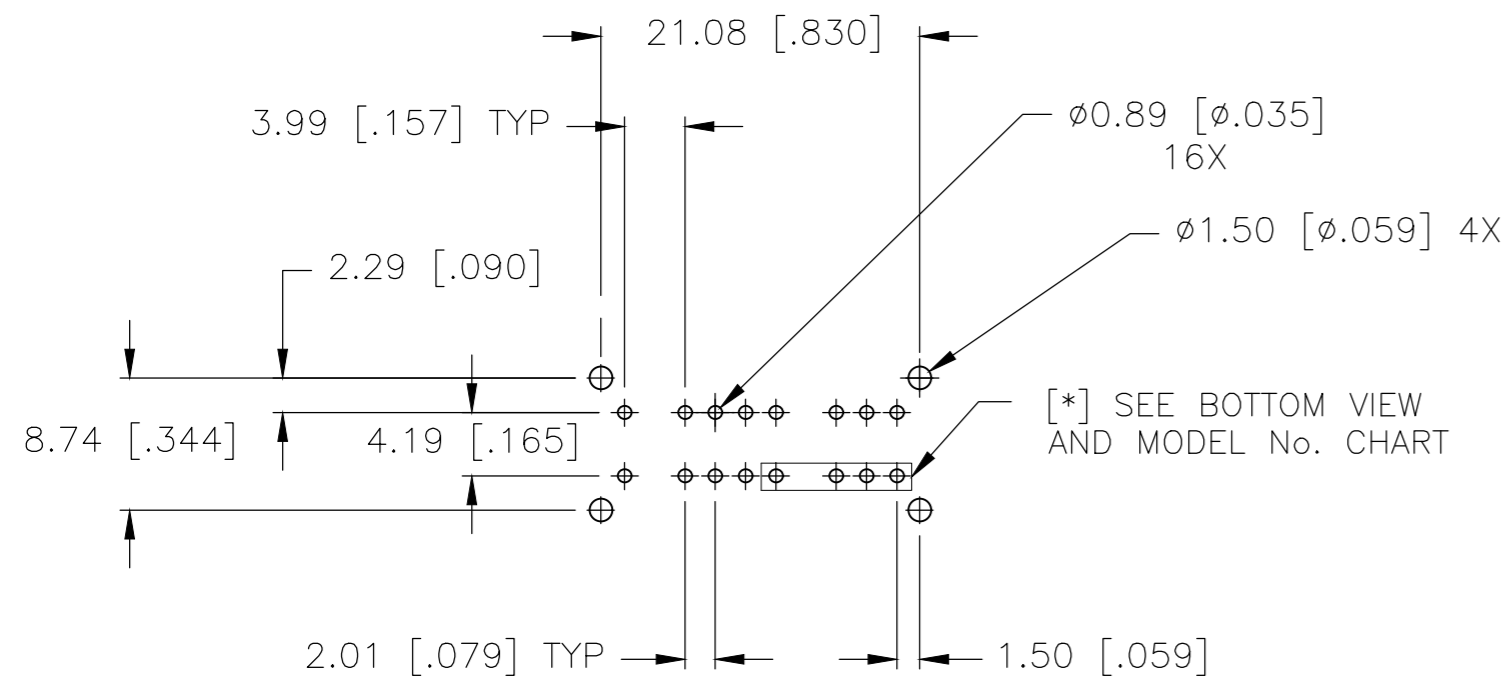
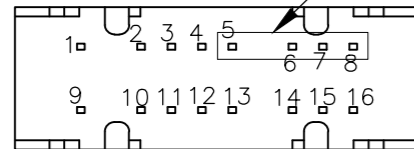
MECHANICAL:  
 ACTUATION FORCE - 600±300 GRAMS  
 TRAVEL - 2.00±0.51[.079±.020]

ENVIRONMENTAL:  
 OPERATING TEMPERATURE - -20 TO +85 DEGREES C  
 STORAGE TEMPERATURE - -40 TO +100 DEGREES C  
 RESISTANCE TO SOLDER HEAT PER 109-202, CONDITION B  
 SOLDERABILITY PER EIA- 364-52, CLASS 2, CATEGORY 1, 95% MIN  
 COVERAGE

NOTES:  
 1. ALL MATERIALS AND FINISHES SHALL COMPLY WITH EU  
 DIRECTIVE 2002 95/EC OF 27JAN2003 (ROHS).  
 2. ANTI SOLDER WICK SEAL AT TERMINAL TO BOARD INTERFACE.



[\*] THIS TERMINAL SET IS NOT USED ON 3350 SERIES



PC HOLE LAYOUT (TOP VIEW)  
 RECOMMENDED TOLERANCES ±.002

	1,2&5,6	9,10&13,14	2,3&5,7	10,11&13,15	2,4&5,8	10,12&13,16	4P3T	GOLD OVER NICKEL	MSSA4350G04	1825202-4	
	1,2&5,6	9,10&13,14	2,3&5,7	10,11&13,15	2,4&5,8	10,12&13,16	4P3T	SILVER	MSSA435004	1825202-3	
OBSOLETE	1,2, 9,10	&13,14	2,3, 10,11&13,15		2,4, 10,12&13,16		3P3T	GOLD OVER NICKEL	MSSA3350G04	*1825202-2	
	1,2, 9,10	&13,14	2,3, 10,11&13,15		2,4, 10,12&13,16		3P3T	SILVER	MSSA335004	*1825202-1	
	LEFT		CENTER		RIGHT		TYPE	CONTACT PLATING	ALCO P/N	TE P/N	
	ACTUATOR POSITION										

THIS DRAWING IS A CONTROLLED DOCUMENT.		DWN	C.THEODORE	17SEP96	TE Connectivity	
DIMENSIONS: mm [INCHES]		CHK	-	-	NAME	
TOLERANCES UNLESS OTHERWISE SPECIFIED:		APVD	-	-	OUTLINE DRAWING	
0 PLC	± -	PRODUCT SPEC	-	-	SLIDE SWITCH	
1 PLC	± -	APPLICATION SPEC	-	-	3 POSITION PC	
2 PLC	± 0.25[.010]	WEIGHT	-	-	SIZE	CAGE CODE
3 PLC	± -	CUSTOMER DRAWING	-	-	A2	00779
4 PLC	± -	SCALE	2:1	SHEET	1 of 1	REV
ANGLES	± 1°					B
MATERIAL	SEE SPECIFICATIONS					
FINISH	SEE SPECIFICATIONS					