

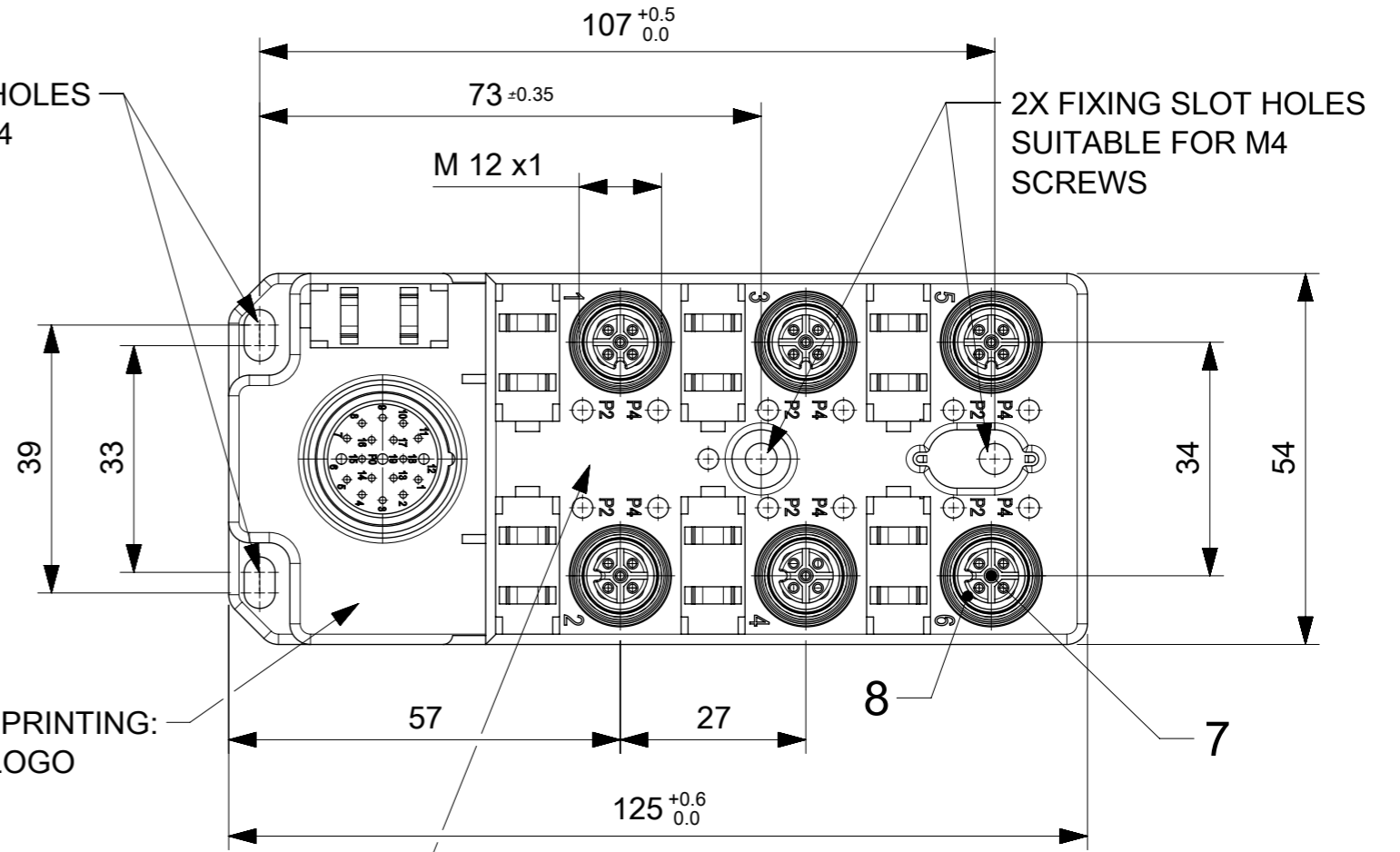
**TABLE 1**

MOLEX P/N	ENG. NO.	LED
1202510067	BKB6030-FBC	NO
1202510068	BKB603P-FBC	YES
1202510069	BKB603N-FBC	YES

**TABLE 2 BILL OF MATERIAL**

ITEM	DESCRIPTION	MATERIAL	FINISH
1	LABEL	ABS	WHITE
2	SHELL	BRASS	NICKEL PLATED
3	O-RING	NBR	BLACK
4	O-RING	NBR	BLACK
5	CONTACT	BRASS	GOLD OVER NICKEL
6	CONTACT	BRASS	GOLD OVER NICKEL
7	CONTACT	BRONZE	GOLD OVER NICKEL
8	O-RING	FPM	RED
9	LED	NO LED = PA	BLACK
		WITH LED = PA	TRANSPARENT
10	SHELL	BRASS	NICKEL PLATED
11	HOUSING	PBT	BLACK

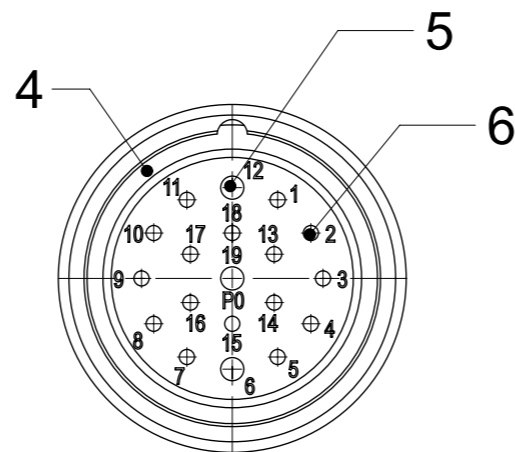
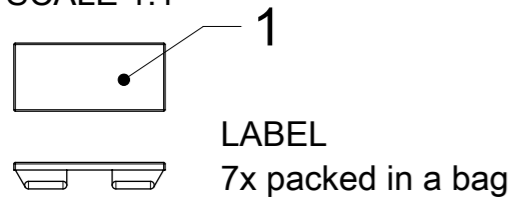
2X FIXING SLOT HOLES  
SUITABLE FOR M4  
SCREWS



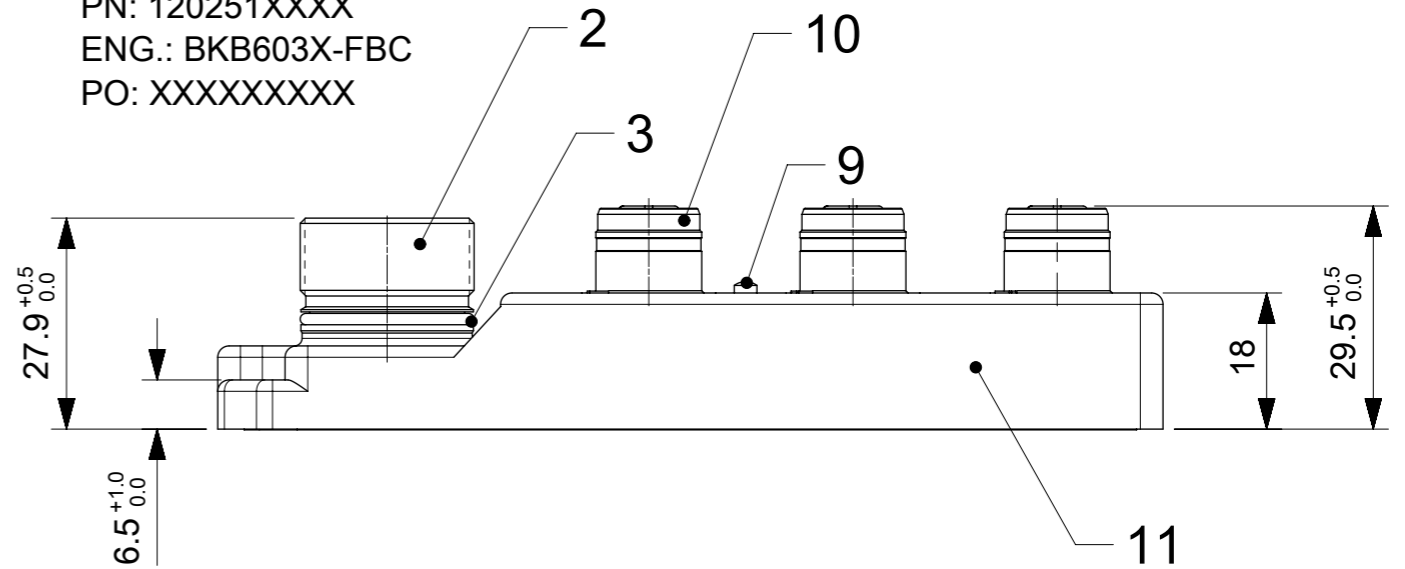
LASER PRINTING:  
BRAD LOGO

LASER PRINTING:  
PN: 120251XXXX  
ENG.: BKB603X-FBC  
PO: XXXXXXXXXX

SCALE 1:1



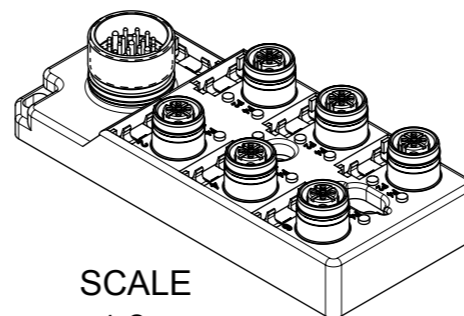
SCALE  
2:1



**GENERAL CHARACTERISTICS:**

ELECTRICAL AND MECHANICAL DATA ACC. TO IEC 61076-2-101

NOMINAL VOLTAGE: 10-30 V DC  
 AMPERE RATING: 4 A PER PORT / 12 A MAX  
 AMPERE RATING WITH UL REGISTRATION: 3 A PER PORT / 9 A MAX  
 IP DEGREE OF PROTECTION: IP 67  
 TEMPERATURE RANGE: -25°C to + 85°C



SCALE  
1:2

SYMBOLS		THIS DRAWING CONTAINS INFORMATION THAT IS PROPRIETARY TO MOLEX ELECTRONIC TECHNOLOGIES, LLC AND SHOULD NOT BE USED WITHOUT WRITTEN PERMISSION	
DIMENSION UNITS	SCALE	CURRENT REV DESC:	
mm	1:1	EC NO: 630686	
GENERAL TOLERANCES (UNLESS SPECIFIED)		DRWN: SSM	2018/12/12
ANGULAR TOL ± 1.0°		CHK'D: RSILLER	2020/01/17
4 PLACES ±		APPR: RSILLER	2020/01/17
3 PLACES ±		INITIAL REVISION:	
2 PLACES ± 0.05		DRWN: SSM	2018/12/12
1 PLACE ± 0.3		APPR: RSILLER	2020/01/17
0 PLACES ± 0.5		DRAFT WHERE APPLICABLE MUST REMAIN WITHIN DIMENSIONS	
THIRD ANGLE PROJECTION		DRAWING	SERIES
DRAWING		A3-SIZE	120251
MATERIAL NUMBER		CUSTOMER	SHEET NUMBER
1202510067		GENERAL MARKET	1 OF 2

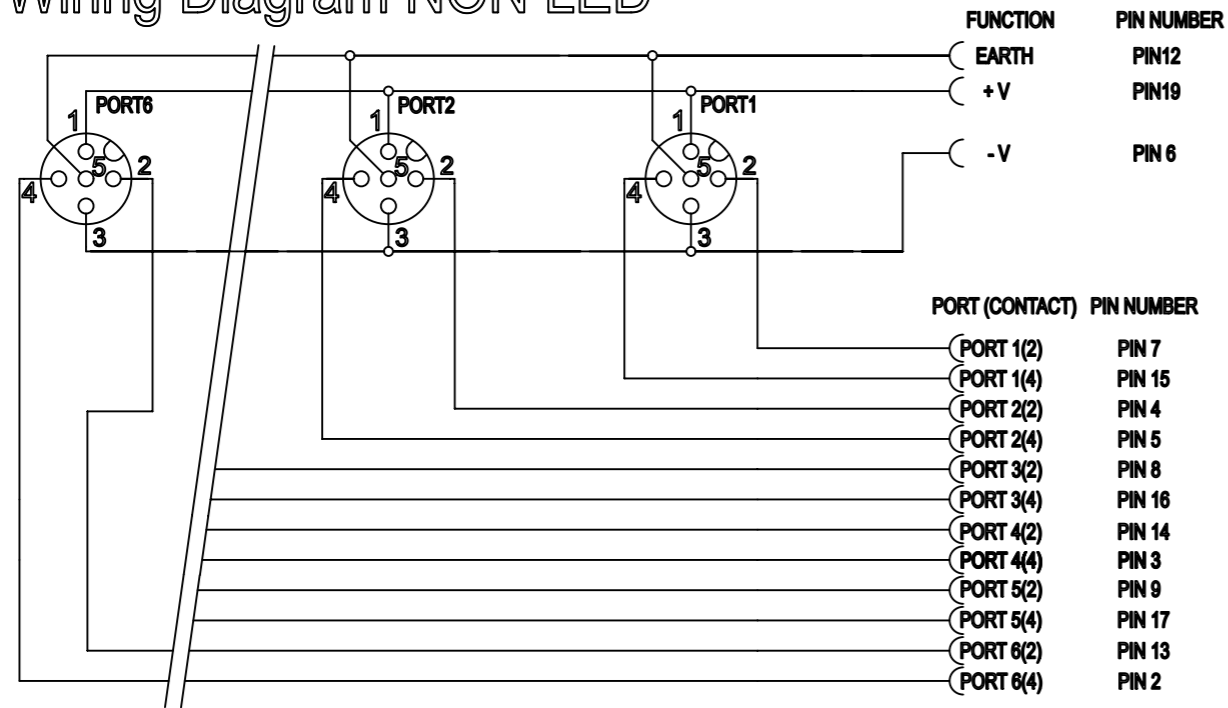
**molex**

MPIS U12 NON 5P 6PT M23 BK DUAL

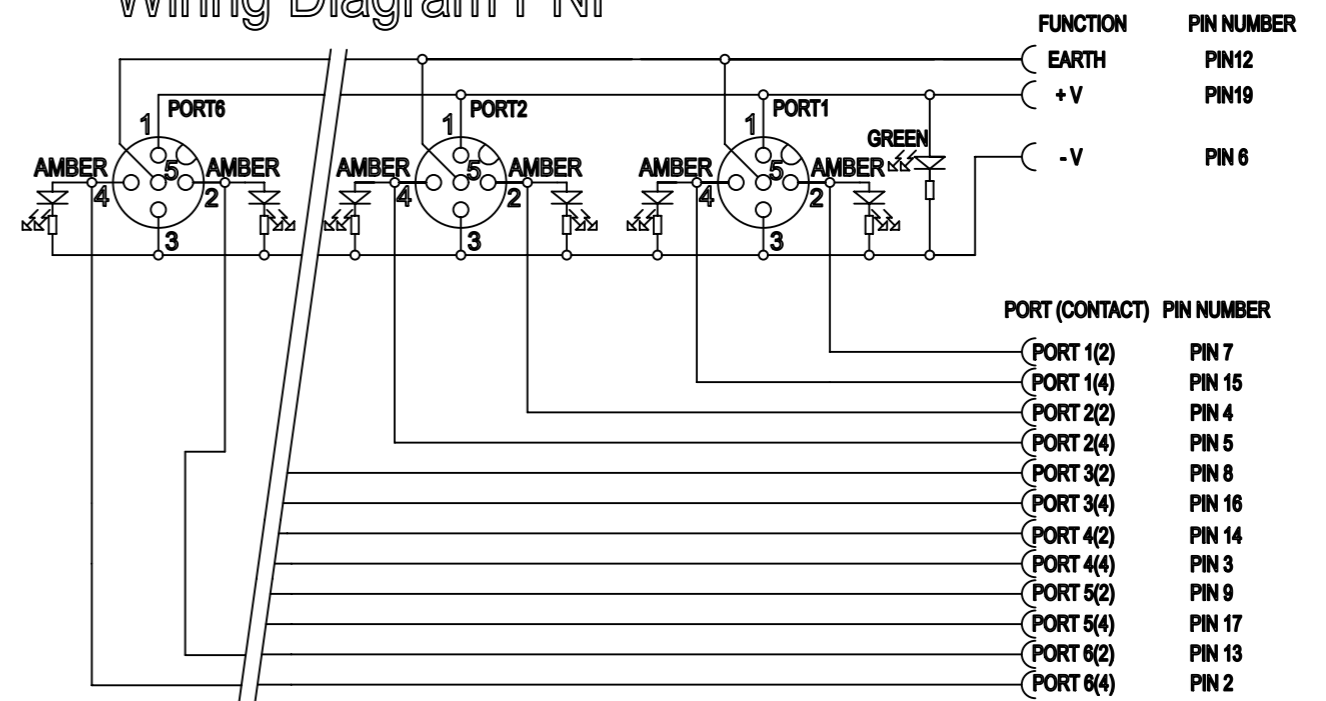
PRODUCT CUSTOMER DRAWING

DOCUMENT NUMBER	DOC TYPE	DOC PART	REVISION
1202510067	PSD	000	A

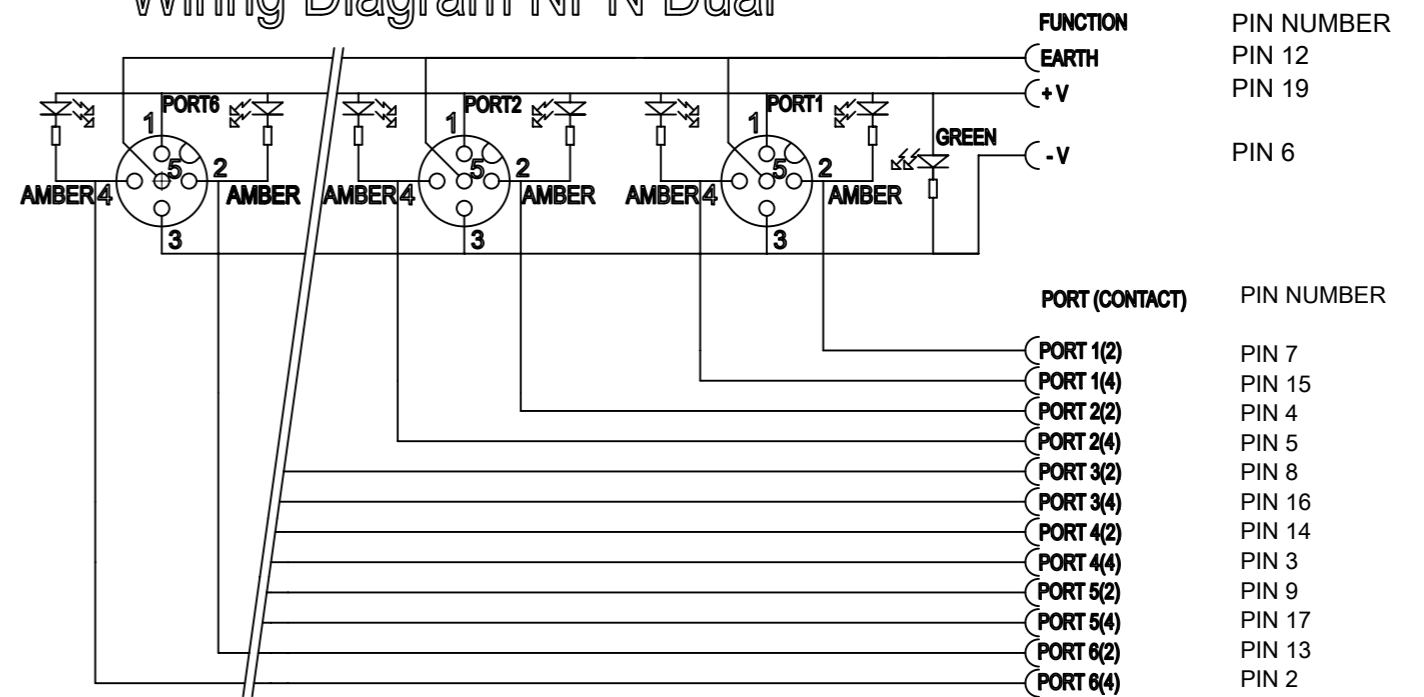
# Wiring Diagram NON LED



# Wiring Diagram PNP



# Wiring Diagram NPN Dual



<b>SYMBOLS</b> DIMENSION UNITS SCALE ▽ = 0 mm 1:1 ▽ = 0 GENERAL TOLERANCES (UNLESS SPECIFIED) ▽ = 0 ANGULAR TOL ± 1.0° ▽ = 0 4 PLACES ± ▽ = 0 3 PLACES ± ▽ = 0 2 PLACES ± 0.05 ▽ = 0 1 PLACE ± 0.3 ▽ = 0 0 PLACES ± 0.5 ▽ = 0 DRAFT WHERE APPLICABLE MUST REMAIN WITHIN DIMENSIONS ▽ = 0	THIS DRAWING CONTAINS INFORMATION THAT IS PROPRIETARY TO MOLEX ELECTRONIC TECHNOLOGIES, LLC AND SHOULD NOT BE USED WITHOUT WRITTEN PERMISSION CURRENT REV DESC: EC NO: 630686 DRWN: SSM 2018/12/12 CHK'D: RSILLER 2020/01/17 APPR: RSILLER 2020/01/17 INITIAL REVISION: DRWN: SSM 2018/12/12 APPR: RSILLER 2020/01/17 THIRD ANGLE PROJECTION DRAWING SERIES MATERIAL NUMBER CUSTOMER SHEET NUMBER A3-SIZE 120251 SEE TABLE 1 GENERAL MARKET 2 OF 2		<b>molex</b> MPIS U12 NON 5P 6PT M23 BK DUAL PRODUCT CUSTOMER DRAWING DOCUMENT NUMBER DOC TYPE DOC PART REVISION 1202510067 PSD 000 A
	DOCUMENT STATUS P1 RELEASE DATE 2020/01/17 08:23:48		