

PART No MATRIX:

8 8 4 0 P 6 S 2 0 M X X X X X

OPTIONS

88 = M12x1
Double ended

Poles:
4 = 4 Poles

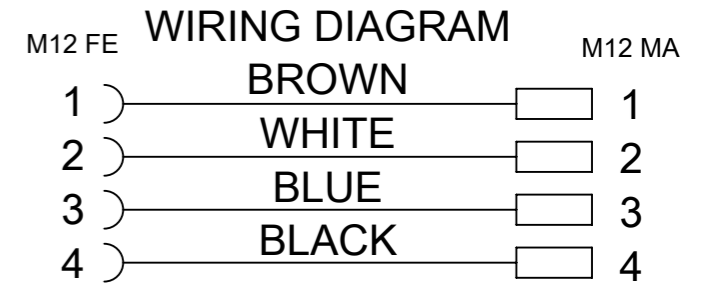
Heads style:
0P6 = Female Straight PNP
LED / Male Straight

Cable:
S20 = 0.34mm² PVC Yellow

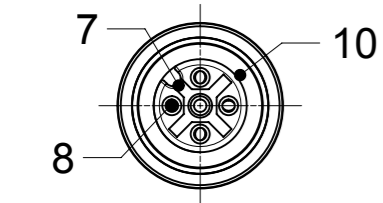
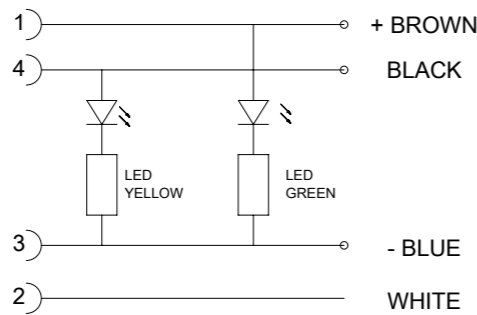
Units:
M = Meter

Długość/Length
005 = 0.5 m
010 = 1 m
020 = 2 m
050 = 5 m
100 = 10 m
150 = 15 m
200 = 20 m

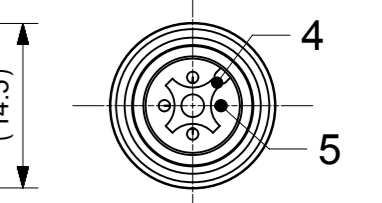
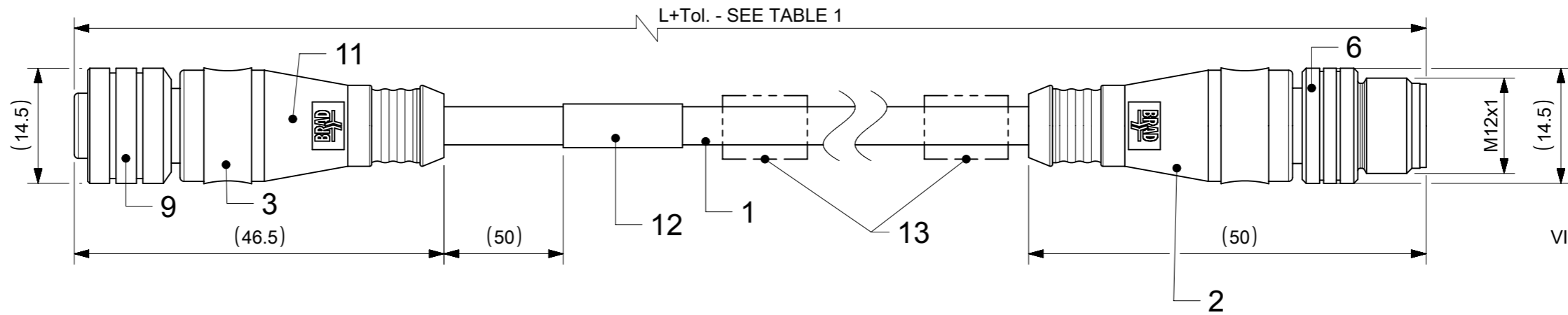
H=2pcs. of I/D Carrier
Coupling Nut:
Blank= KNU/HEX
7=Teflon KNU
Overmould:
Blank= Female head -
clear
Male head - yellow



PNP WIRING



VIEW FROM THE FRONT SIDE



VIEW FROM THE FRONT SIDE

BILL OF MATERIALS

ITEM	QTY	DESCRIPTION	MATERIAL	FINISH/COLOR
13	2	I/D CARRIER 6-10mmx30mm	PVC	WHITE
12	1	LABEL WRAP	VINYL	YELLOW
11	1	MMC-PNP LED PCB	-	-
10	1	GASKET 1.7x1.35	FPM	RED
9	1	M12-COUPLING NUT FEMALE	TEFLON	-
8	4	CONTACT 10 FE	BRONZE	GOLD OVER Ni-PLATED
7	1	INSERT M12 FE 4P	TPU	BLACK
6	1	M12-COUPLING NUT MALE	TEFLON	Ni-PLATED
5	4	CONTACT 10 MA	BRONZE	GOLD OVER Ni-PLATED
4	1	INSERT M12 MA 4P	ELASTOLLAN	BLACK
3		MOULDING MATERIAL	TPU	NATURAL
2		MOULDING MATERIAL	TPU	YELLOW
1	-	CABLE;YEL;DC;4X0.34MM	PVC	YELLOW
ITEM	QTY	DESCRIPTION	MATERIAL	FINISH/COLOR

DOCUMENT STATUS | P1 | RELEASE DATE | 2018/08/23 | 10:10:05

TABLE 1

MOLEX PN	ENG. NO.	L+Tol.[mm]
1200678092	8840P6S20M003	300 +19
1200678094	8840P6S20M020	2000 +89
1200678179	8840P6S20M006	600 +45
1200678190	8840P6S20M020H	2000 +89
1200678316	8840P6S20M010H	1000 +56
1200678410	8840P6S20M050H	5000 +165
1200678411	8840P6S20M006H	600 +45

NOTES:

1. IF IN MATRIX IS "H" - ADD ID-CARRIERS ON THE BOTH SIDES HARNESS

THIS DRAWING CONTAINS INFORMATION THAT IS PROPRIETARY TO MOLEX ELECTRONIC TECHNOLOGIES, LLC AND SHOULD NOT BE USED WITHOUT WRITTEN PERMISSION

SYMBOLS: DIMENSION UNITS: mm SCALE: 1.5:1

GENERAL TOLERANCES (UNLESS SPECIFIED): ANGULAR TOL ± °

CURRENT REV DESC:

EC NO: 603243
DRWN: MKOWALCZYK01 2018/08/22
CHK'D: MIWASIECZKO 2018/08/23
APPR: MIWASIECZKO 2018/08/23

INITIAL REVISION:
DRWN: MKOWALCZYK01 2018/08/22
APPR: MIWASIECZKO 2018/08/23

THIRD ANGLE PROJECTION

DRAWING: A3-SIZE SERIES: 120067

DOCUMENT NUMBER: 1200678316 DOC TYPE: PSD DOC PART: 000 REVISION: A

MATERIAL NUMBER: SEE MATRIX CUSTOMER: GENERAL MARKET SHEET NUMBER: 1 OF 1

molex

CSE 4P LED.PNP/MM ST/ST-XXXM

PRODUCT CUSTOMER DRAWING