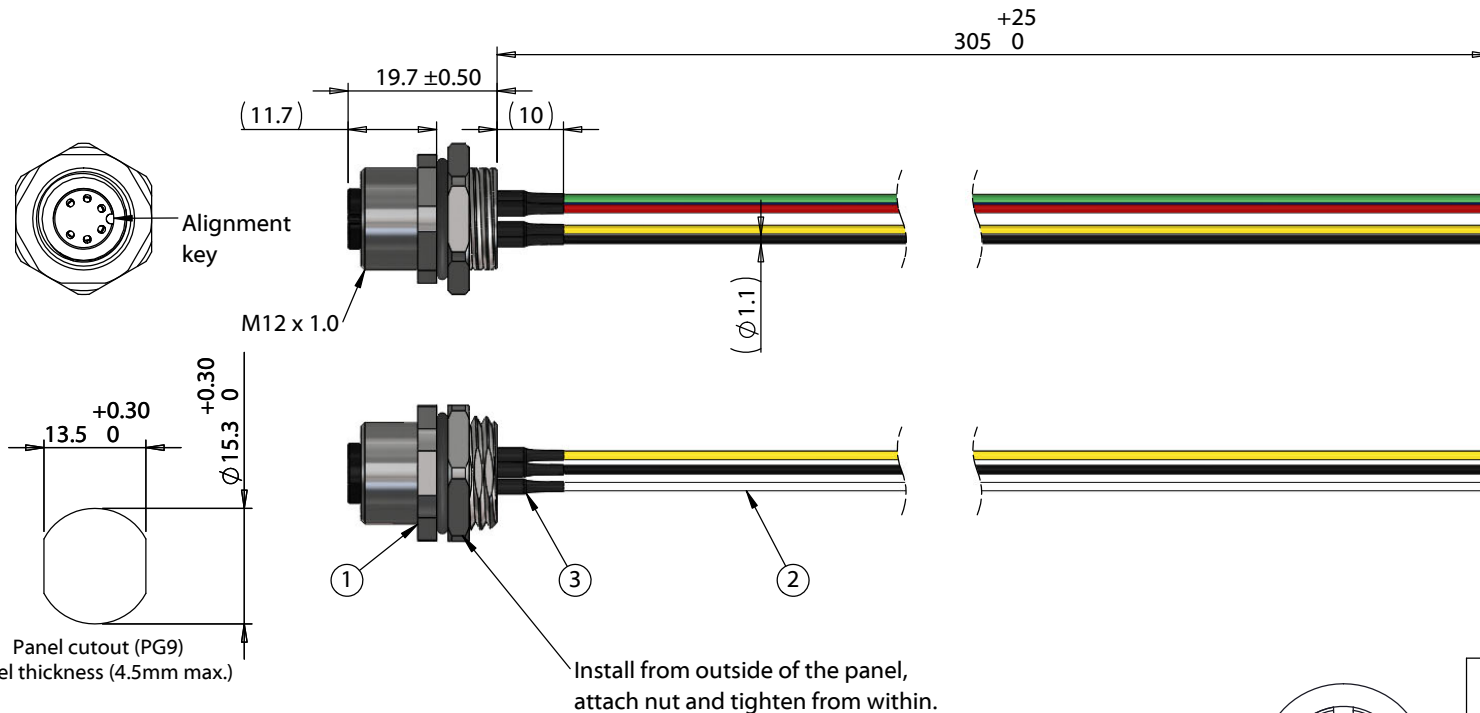


ITEM NO.	PART NUMBER	DESCRIPTION	QTY.	COMPONENT NOTES
1	54-00183	Connector, 6 pin M12 A-code socket, 12xL21.5mm, gold plated, panel mount, solder cup, IP67	1	nut and o-ring included
2	Wire	Wire, hook-up, TS, 24 AWG, UL 11028, 600V, 105C, 1.1 mm, mPPE	6	color: red, yellow, black, white, blue, green
3	Heat shrink	Heat shrink, UL, black	6	covers solder joints

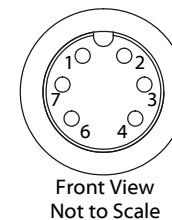


**Notes:**  
 Cable rated for 30 V, 2 A  
 Temperature: -40 ~ 105 °C

IP67 waterproof rating when mated with corresponding (IP67) connector and installed properly in panel

Cables individually packaged in PE bag  
 Functionally equivalent components may be substituted

Install from outside of the panel,  
 attach nut and tighten from within.



Wiring Diagram	
54-00183	wire color (P/N)
1	red (30-01762)
2	yellow (30-01765)
3	black (30-01763)
4	white (30-01764)
6	blue (30-01766)
7	green (30-01767)

Revision:	Date:	Description:	Prepared:	Notes: RoHS compliant Function test: no open, no short circuit, no intermittent	<h1>TENSILITY</h1> <p>tel 1.541.323.3228 800 877.670.7118          fax 1.541.323.4202 web tensility.com</p>
A	4/20/2021	Initial release	Verified:		
			Dimensions are in millimeters. Tolerances: X: ± 0.5 mm X.X: ± 0.3 mm X.XX: ± 0.05 mm		
			Description:	Cable, 305 mm, M12 6C socket panel mount 54-00183 to blunt cut, 24 AWG, UL 11028 hook-up wire	Size: A Part number: 10-04039 Scale: 1:1
					Sheet 1 of 1