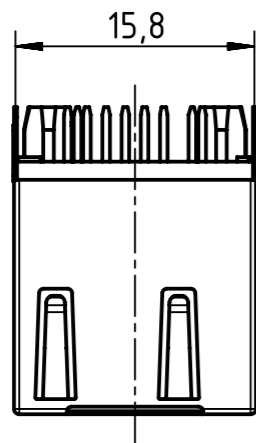
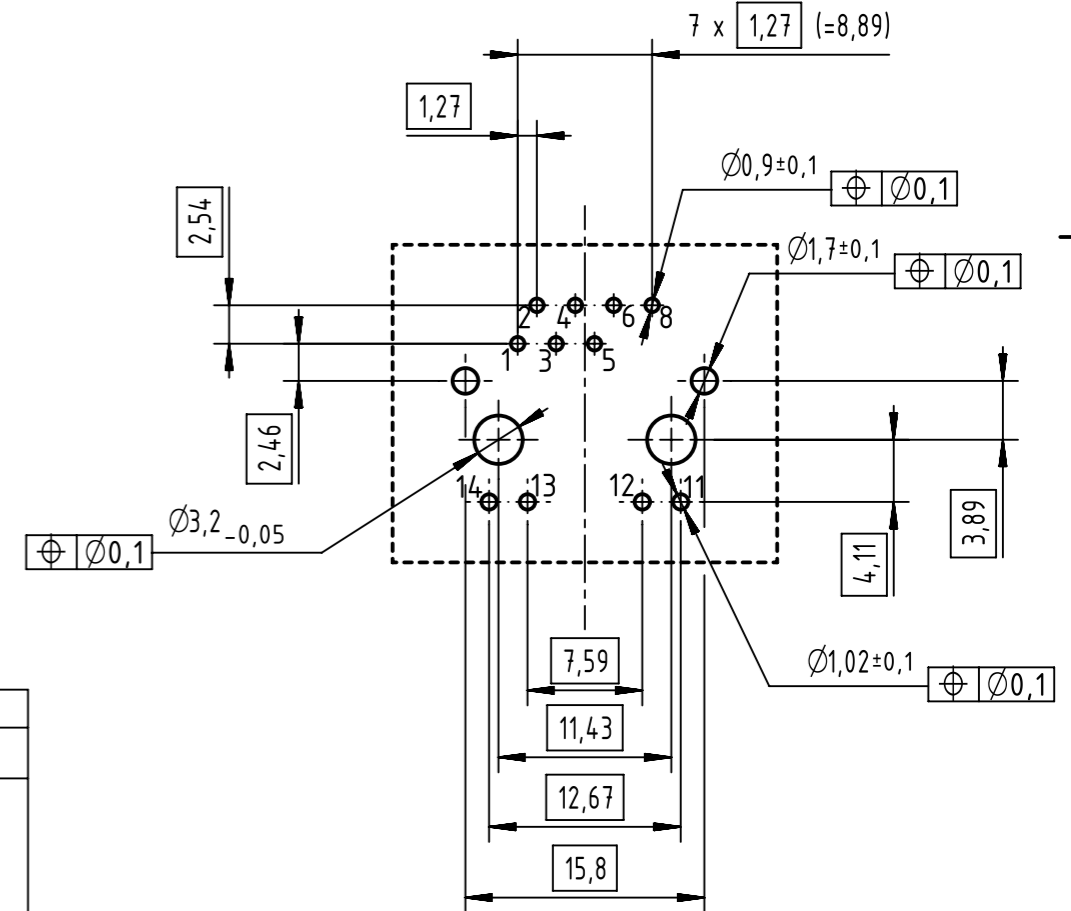
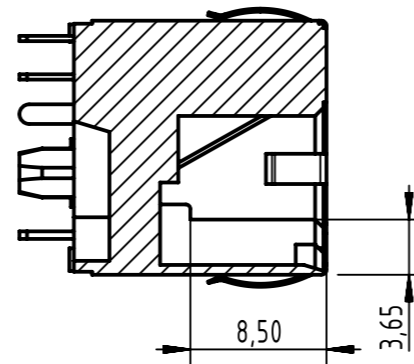


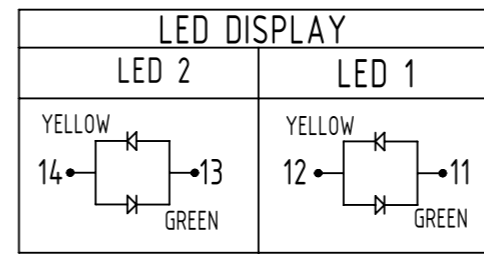
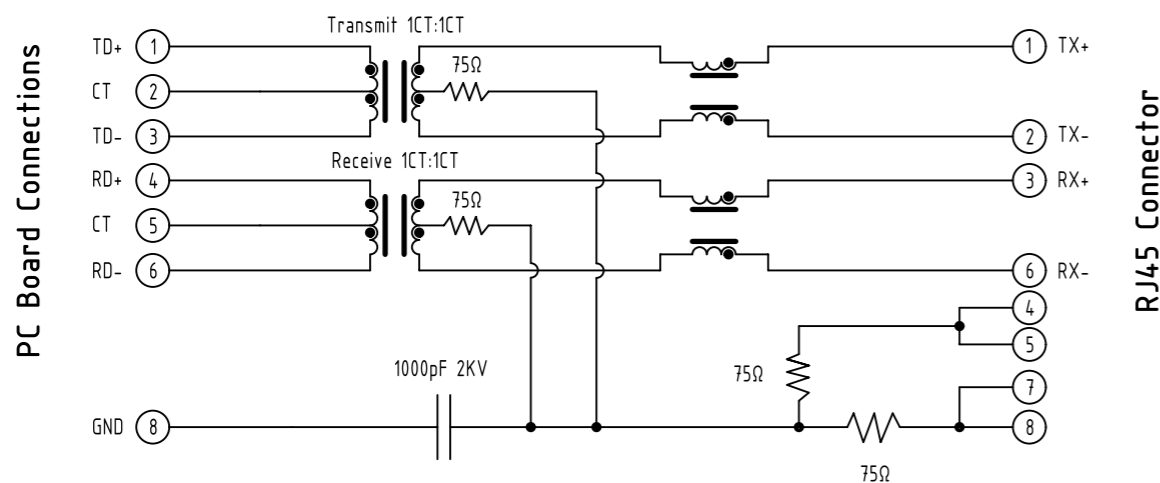
PC-Board layout
view component side
thickness up to 2,4 mm



A-A



SCHEMATIC



| | | | | |
|---|--|---|-------------------------|--|
| | All Dimensions in mm Original Size DIN A3 | Scale 2:1 | Free size tol. | Ref. |
| | All rights reserved Department EL PD | Created by FARCASIU | Inspected by POPESCU | Standardisation HOFFMANN |
| HARTING Electronics GmbH D-32339 Espelkamp | | Title RJ45 jack 10/100 Mbit vert. biCo LED | | Date 2018-09-26 |
| | | Type TB | Number 09455511140 | State Final Release |
| | | | | Doc-Key / ECM-Nr. 100804933/UGD/000/C 500000140639 |
| | | | | Rev. C Page 1/1 |