

MATERIALS AND FINISHES

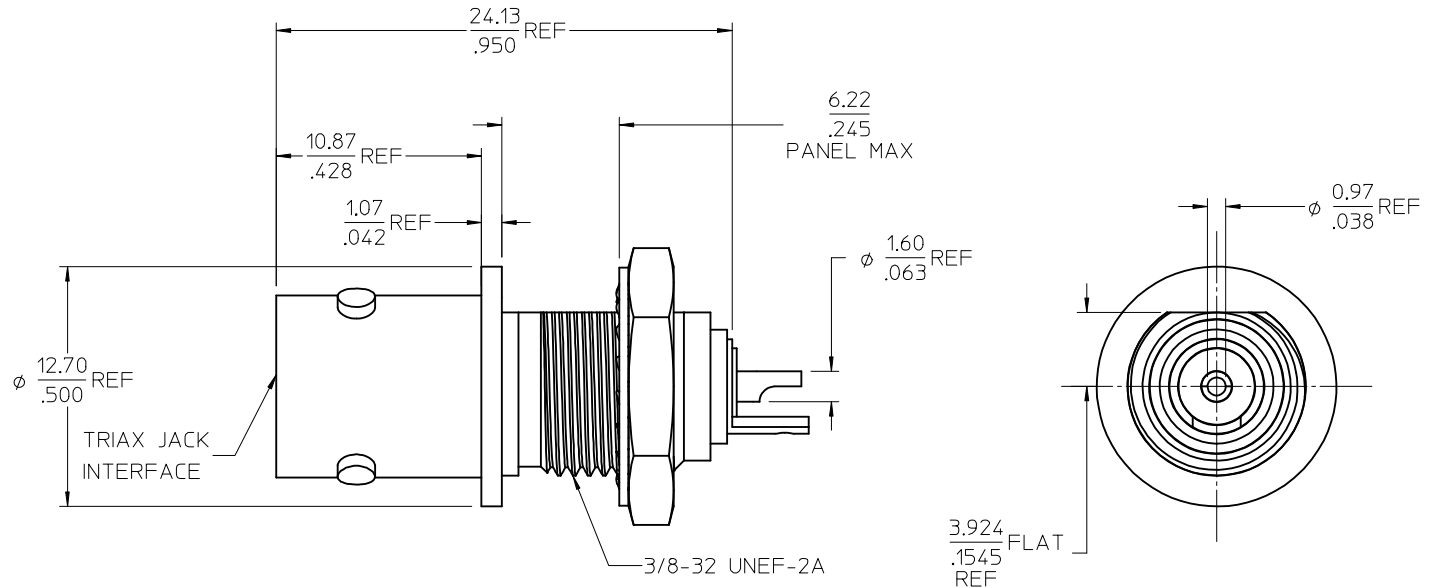
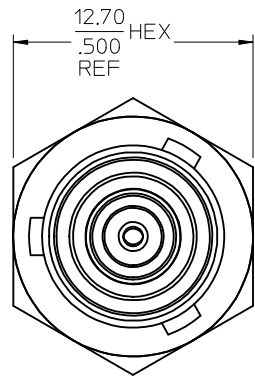
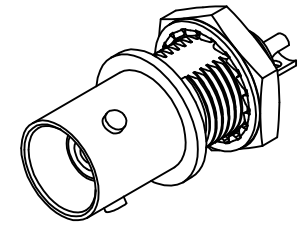
BODY, JAM NUT BRASS
PLATED NICKEL

CENTER CONTACT BERYLLIUM COPPER
PLATED GOLD

INTERMEDIATE CONTACT BRASS
PLATED GOLD

LOCKWASHER PHOSPHOR BRONZE
PLATED NICKEL

INSULATOR TEFLON



PART # 73415-1780

MIL-STD-348A, FIG. 201.2	INTERFACE
SPECIFICATION	DESCRIPTION

CHG: REDREW TO SHOW RE-ORIENTED FLAT	EC NO: URF2006-0529	DESCRIPTION
	DRWN:FLAHERTY 2006/05/25	CHKD:SSHAH 2006/05/25
	APPR:JWIENER 2006/05/25	

QUALITY SYMBOLS	$\blacktriangledown=0$	$\nabla=0$
GENERAL TOLERANCES (UNLESS SPECIFIED)	mm	INCH
4 PLACES	\pm .005	\pm .0004
3 PLACES	\pm .002	\pm .0001
2 PLACES	\pm .001	\pm .00005
1 PLACE	\pm .0005	\pm .00002
ANGULAR \pm 2°		

DRAWN BY	DATE
TEF	2004/09/03
CHECKED BY	DATE
SSS	2004/09/03
APPROVED BY	DATE
JDW	2004/09/03
MATERIAL NO.	734151780
DOCUMENT NO.	SD-73415-178
SHEET NO.	1 OF 1

DIMENSION STYLE	SCALE	DESIGN UNITS	THIRD ANGLE PROJECTION
MM/IN		METRIC	\odot \square
TRIAX JACK, BLKHD, 3 LUG WITH SOLDER POT TRIAX-JC MOLEX INCORPORATED			
THIS DRAWING CONTAINS INFORMATION THAT IS PROPRIETARY TO MOLEX INCORPORATED AND SHOULD NOT BE USED WITHOUT WRITTEN PERMISSION			