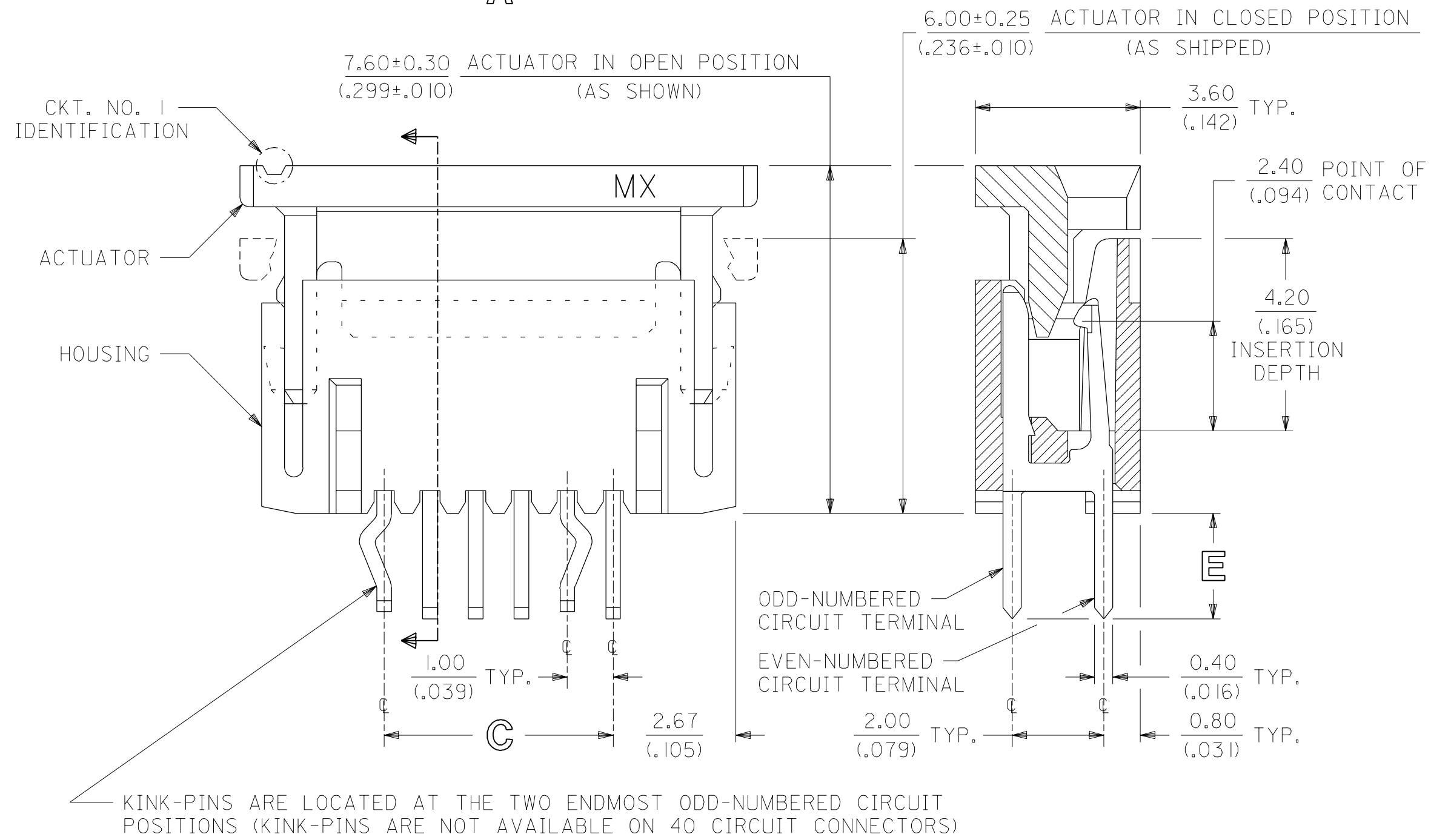
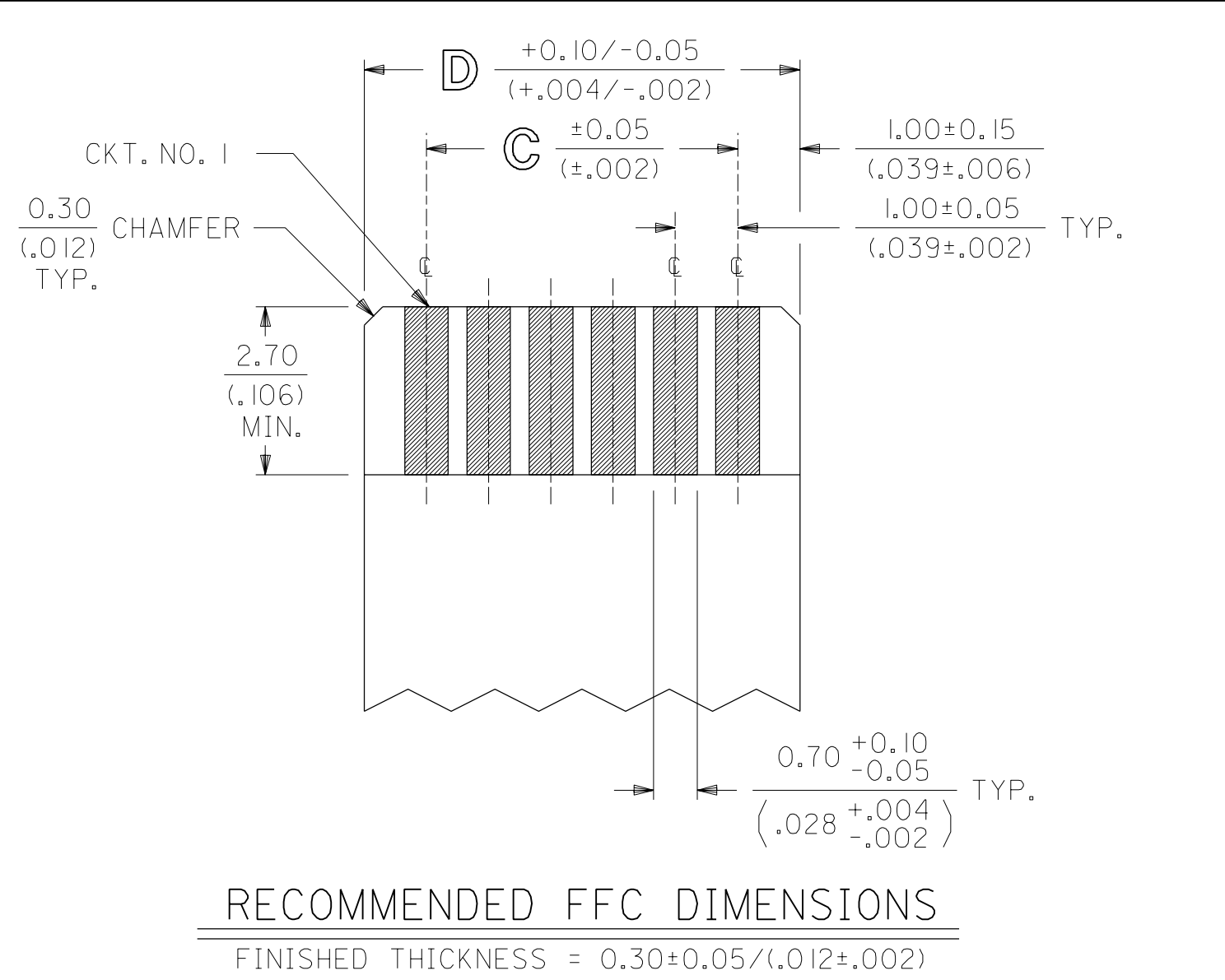
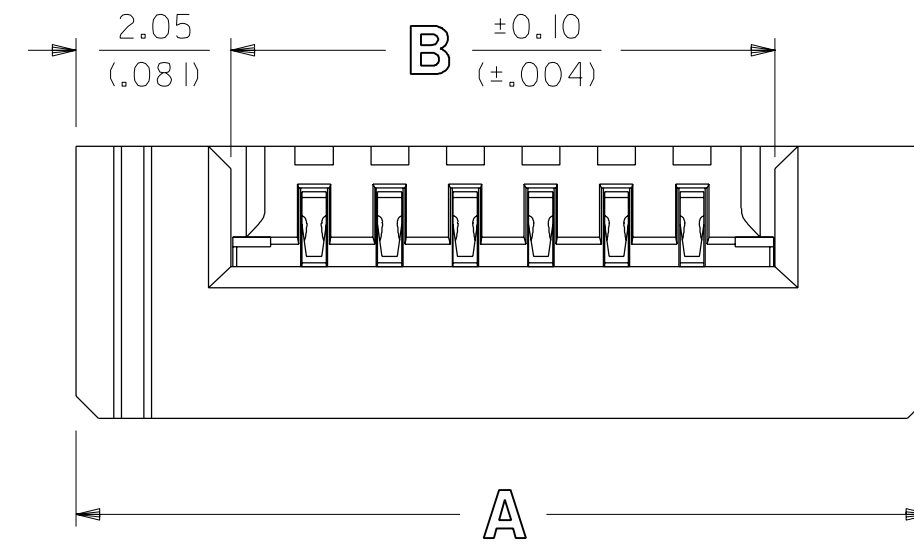
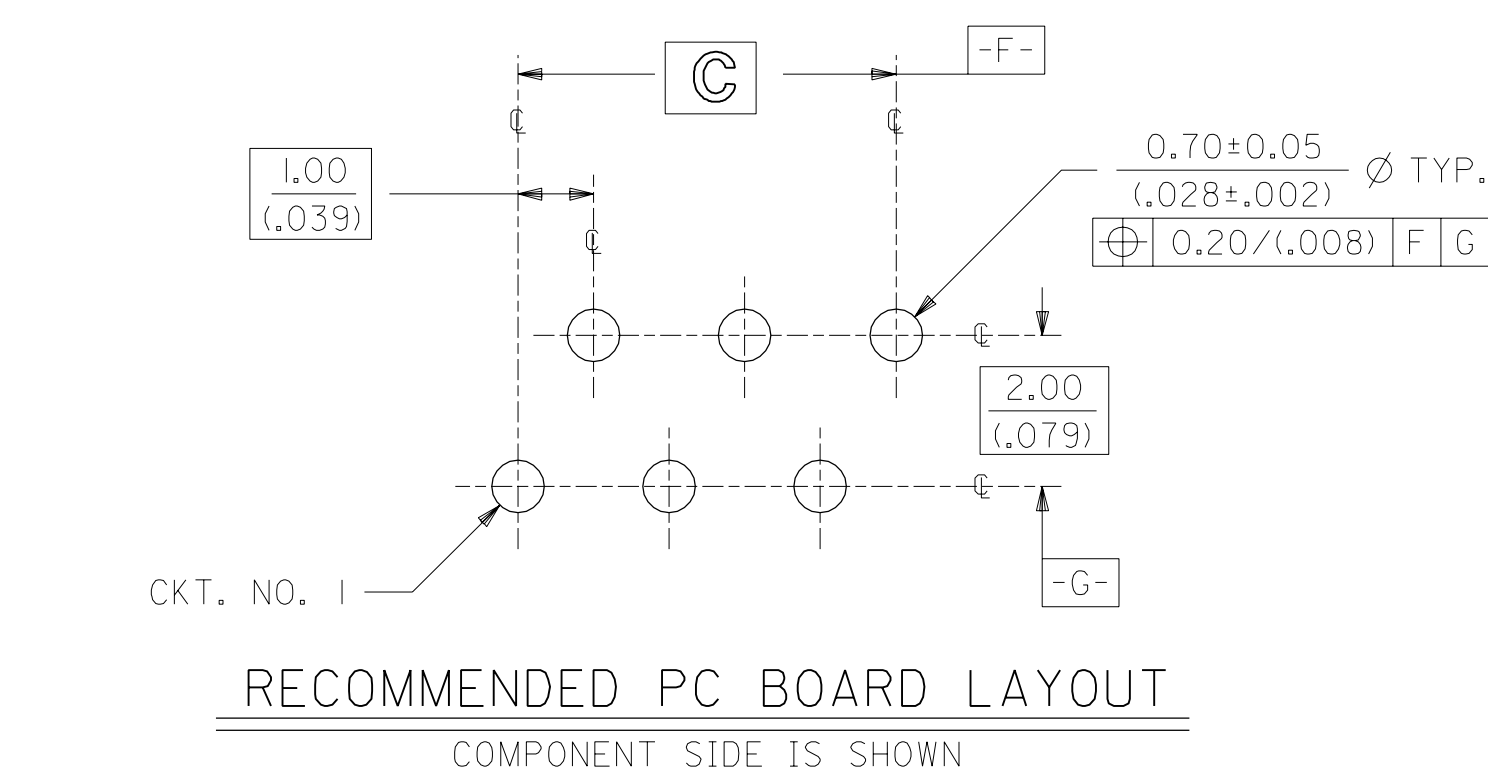


NOTES:

- 1) CONNECTOR MATERIALS:
HOUSING IS MADE OF NYLON (SEE CHART ON SHEET 2 FOR COLOR) AND ACTUATOR IS MADE OF LCP [LIQUID CRYSTAL POLYMER] (COLOR IS BLUE), BOTH ARE GLASS-FILLED AND RATED U.L. 94V-0; TERMINALS ARE 0.32/(.013) THICK PHOSPHOR BRONZE.
- 2) TERMINAL FINISH:
5.0 MICROMETERS/200 MICROINCHES MINIMUM TIN OVER 1.3 MICROMETERS/ 50 MICROINCHES MINIMUM NICKEL UNDERPLATE OVERALL.
- 3) THIS CONNECTOR CONFORMS TO PRODUCT SPECIFICATION PS-71226.
- 4) SEE SHEET 2 FOR CONNECTOR PART NUMBERS, PACKAGING OPTIONS, AND DIMENSIONS NOT SHOWN BELOW.



NOTE FOR LEAD FREE CONVERSION:
THE PRIMARY SHIPPING CARTON WILL BE LABELED "COMPLIANT TO RoHS DIRECTIVE 2002/95/EC AND ELV ANNEX II OF DIRECTIVE 2000/53/EC". CARTONS WITHOUT THIS LABEL MAY CONTAIN PRODUCT WITH LEAD.



DIMENSIONS SHOWN METRIC/(INCHES)

| | | | | | | | | |
|------|-----------|---|-----------|--|--|--|--|---------------|
| F | | DELETE TUBE PKG UCP2003-1972 RWHITE 03/03/17 | C2 | ADD CKT. NO. 1 ECN #UDT1999-0014 07/08/98 LMCGRATH | UNLESS OTHERWISE SPECIFIED TOLERANCES: ANGULAR ± 1/2° 3 PLACE ±.005 2 PLACE ± — ±0.13 1 PLACE — ± — DRAFT WHERE APPLICABLE MUST REMAIN WITHIN DIMENSIONS | ▽ = 0 ▼ = 0 REVISE ONLY ON CAD SYSTEM | TITLE 1.00mm/(.039) PITCH, ZIF, FFC CONNECTOR | |
| E | | MOD HSG GEOMETRY ECN# UDT1999-1104 DMORGAN 99/07/09 | C1 | ADD PKG SPEC ECN #UDT1998-0299 05/26/98 LMCGRATH | | | MOLEX INCORPORATED SHEET NO. DATE LITSL.E,ILL. 60532 U.S.A. 1 OF 2 12/16/92 | |
| G | | LEAD FREE CONV ECN UCP2004-2092 RKADAMS 04/04/22 | D | ADD P/N -2675 ECN #UDT1999-0824 DMORGAN 99/04/06 | C | ADDED TOL. & BASIC BOXES PER EC # U81224 J. LONG 97/11/20 | PART NO. DRWG. NO. SEE SHEET 2 SD-71226-***5 | |
| LTR. | REVISIONS | LTR. | REVISIONS | LTR. | REVISIONS | APP'D. BY: CAB | CHK'D. BY: CAB | SCALE: 10 : 1 |

| | | |
|------|-----|------|
| 2 | F | |
| 1 | G | |
| MFG. | SH. | REV. |

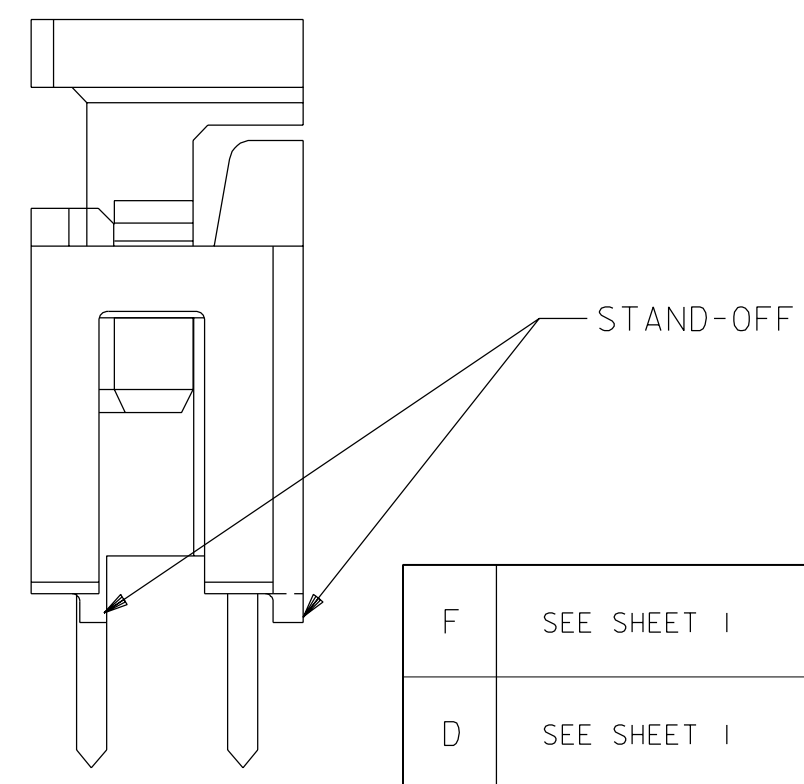
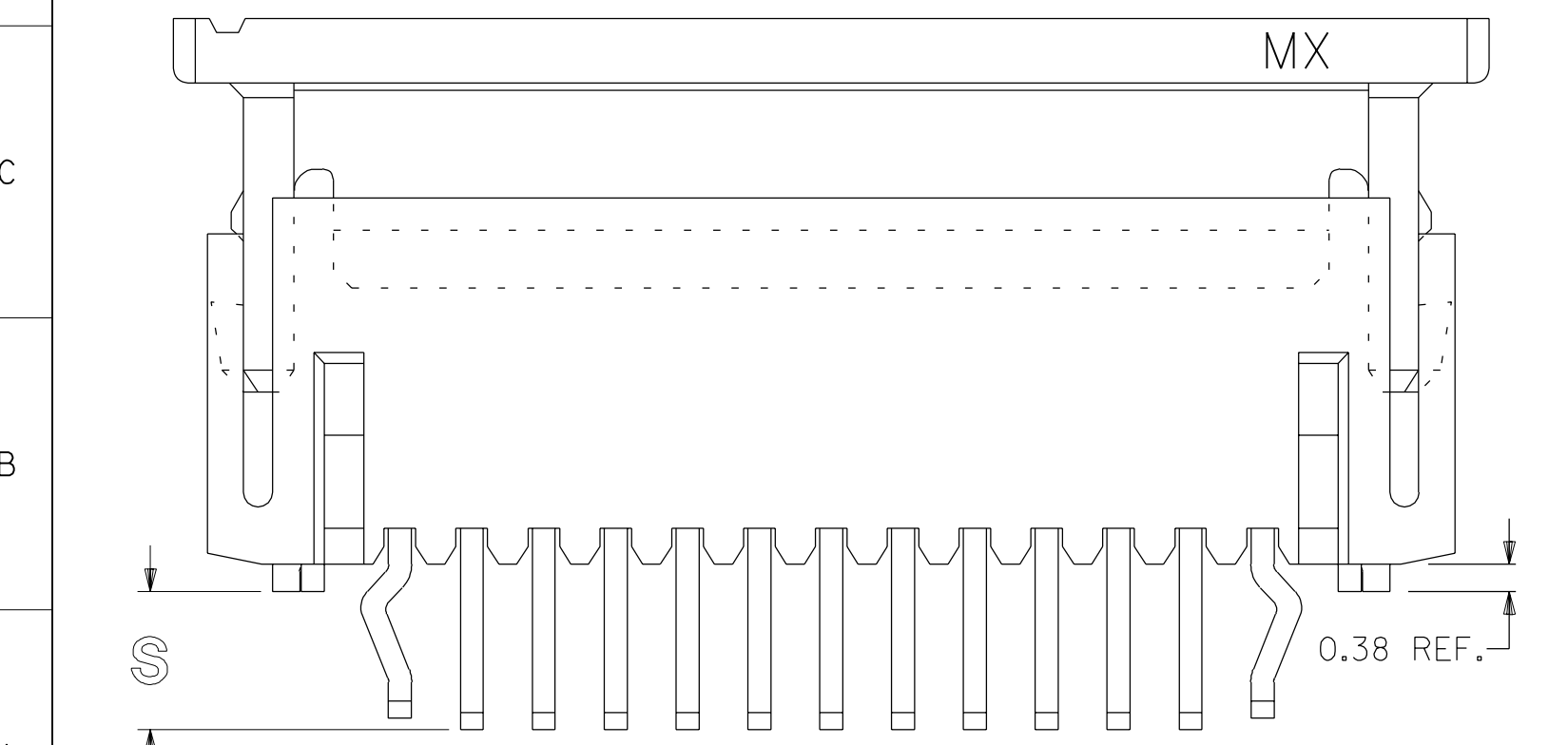
13 12 11 10 9 8 7 6 71226 4 3 2 1

| CKT SIZE | ITEM NUMBER | HOUSING COLOR | X=NOT TOOLED | DIM A | DIM B | DIM C | DIM D | DIM E |
|----------|-------------|---------------|--------------|---------------|---------------|---------------|---------------|--------------------------|
| 4 | 71226-0425 | NATURAL | | 9.30/(.366) | 5.20/(.205) | 3.00/(.118) | 5.00/(.197) | 2.25±0.20 (.089±.008) |
| 6 | 71226-0625 | NATURAL | | 11.30/(.445) | 7.20/(.283) | 5.00/(.197) | 7.00/(.276) | |
| 8 | 71226-0825 | NATURAL | | 13.30/(.524) | 9.20/(.362) | 7.00/(.276) | 9.00/(.354) | |
| 10 | 71226-1025 | NATURAL | | 15.30/(.602) | 11.20/(.441) | 9.00/(.354) | 11.00/(.433) | |
| 12 | 71226-1225 | NATURAL | | 17.30/(.681) | 13.20/(.520) | 11.00/(.433) | 13.00/(.512) | |
| 14 | 71226-1425 | NATURAL | | 19.30/(.760) | 15.20/(.598) | 13.00/(.512) | 15.00/(.591) | |
| 16 | 71226-1625 | NATURAL | | 21.30/(.839) | 17.20/(.677) | 15.00/(.591) | 17.00/(.669) | |
| 18 | 71226-1825 | NATURAL | | 23.30/(.917) | 19.20/(.756) | 17.00/(.669) | 19.00/(.748) | |
| 20 | 71226-2025 | NATURAL | | 25.30/(.996) | 21.20/(.835) | 19.00/(.748) | 21.00/(.827) | |
| 22 | 71226-2225 | NATURAL | | 27.30/(1.075) | 23.20/(.913) | 21.00/(.827) | 23.00/(.906) | |
| 24 | 71226-2425 | NATURAL | | 29.30/(1.154) | 25.20/(.992) | 23.00/(.906) | 25.00/(.984) | |
| 26 | 71226-2625 | NATURAL | | 31.30/(1.232) | 27.20/(1.071) | 25.00/(.984) | 27.00/(1.063) | |
| 28 | 71226-2825 | NATURAL | | 33.30/(1.311) | 29.20/(1.150) | 27.00/(1.063) | 29.00/(1.142) | |
| 30 | 71226-3025 | NATURAL | | 35.30/(1.390) | 31.20/(1.228) | 29.00/(1.142) | 31.00/(1.220) | |
| 40 | 71226-4025 | NATURAL | X | 45.30/(1.783) | 41.20/(1.622) | 39.00/(1.536) | 41.00/(1.614) | |
| 4 | 71226-0435 | NATURAL | | 9.30/(.366) | 5.20/(.205) | 3.00/(.118) | 5.00/(.197) | |
| 6 | 71226-0635 | NATURAL | | 11.30/(.445) | 7.20/(.283) | 5.00/(.197) | 7.00/(.276) | |
| 8 | 71226-0835 | NATURAL | | 13.30/(.524) | 9.20/(.362) | 7.00/(.276) | 9.00/(.354) | |
| 10 | 71226-1035 | NATURAL | | 15.30/(.602) | 11.20/(.441) | 9.00/(.354) | 11.00/(.433) | |
| 12 | 71226-1235 | NATURAL | | 17.30/(.681) | 13.20/(.520) | 11.00/(.433) | 13.00/(.512) | |
| 14 | 71226-1435 | NATURAL | | 19.30/(.760) | 15.20/(.598) | 13.00/(.512) | 15.00/(.591) | |
| 16 | 71226-1635 | NATURAL | | 21.30/(.839) | 17.20/(.677) | 15.00/(.591) | 17.00/(.669) | |
| 18 | 71226-1835 | NATURAL | | 23.30/(.917) | 19.20/(.756) | 17.00/(.669) | 19.00/(.748) | |
| 20 | 71226-2035 | NATURAL | | 25.30/(.996) | 21.20/(.835) | 19.00/(.748) | 21.00/(.827) | |
| 22 | 71226-2235 | NATURAL | | 27.30/(1.075) | 23.20/(.913) | 21.00/(.827) | 23.00/(.906) | |
| 24 | 71226-2435 | NATURAL | | 29.30/(1.154) | 25.20/(.992) | 23.00/(.906) | 25.00/(.984) | |
| 26 | 71226-2635 | NATURAL | | 31.30/(1.232) | 27.20/(1.071) | 25.00/(.984) | 27.00/(1.063) | |
| 28 | 71226-2835 | NATURAL | | 33.30/(1.311) | 29.20/(1.150) | 27.00/(1.063) | 29.00/(1.142) | |
| 30 | 71226-3035 | NATURAL | | 35.30/(1.390) | 31.20/(1.228) | 29.00/(1.142) | 31.00/(1.220) | |
| 40 | 71226-4035 | NATURAL | X | 45.30/(1.783) | 41.20/(1.622) | 39.00/(1.536) | 41.00/(1.614) | |
| 26 | 71226-2675 | NATURAL | | 31.30/(1.232) | 27.20/(1.071) | 25.00/(.984) | 27.00/(1.063) | |

2.25±0.20
(.089±.008)

3.15±0.20
(.124±.008)

2.77±0.20
(.109±.008)



PACKAGED IN TRAYS PER PK-70873-0246

STAND-OFF OPTION (71226-2675 SHOWN)
SEE SHEET 1 FOR DIMENSION NOT SHOWN

| | | | |
|------|-------------|------|-------------|
| F | SEE SHEET 1 | B | SEE SHEET 1 |
| D | SEE SHEET 1 | A1 | SEE SHEET 1 |
| C1 | SEE SHEET 1 | A | SEE SHEET 1 |
| LTR. | REVISIONS | LTR. | REVISIONS |

DIMENSIONS SHOWN METRIC/(INCH)

| | |
|---|----------------|
| UNLESS OTHERWISE SPECIFIED TOLERANCES: ANGULAR ± 1/2° | |
| 3 PLACE | ± — |
| 2 PLACE | ± — |
| 1 PLACE | ± — |
| DRAFT WHERE APPLICABLE MUST REMAIN WITHIN DIMENSIONS | |
| DRWG. BY: GLT | CHK'D. BY: CAB |
| APP'D. BY: CAB | SCALE: : |

| | | | |
|--|-------|---------------|---------------------------|
| MFG. SH. REV. | ▽ = 0 | ▼ = 0 | REVISE ONLY ON CAD SYSTEM |
| TITLE: 1.00mm/(.039) PITCH, ZIF, FFC CONNECTOR | | | |
| MOLEX INCORPORATED | | SHEET NO. 2 | DATE 12/16/92 |
| SEE CHART | | SD-71226-***5 | |
| THIS DRAWING CONTAINS INFORMATION THAT IS PROPRIETARY TO MOLEX INC. AND SHOULD NOT BE USED WITHOUT WRITTEN PERMISSION. | | | |

13 12 11 10 9 8 7 6 5 4 3 2 1