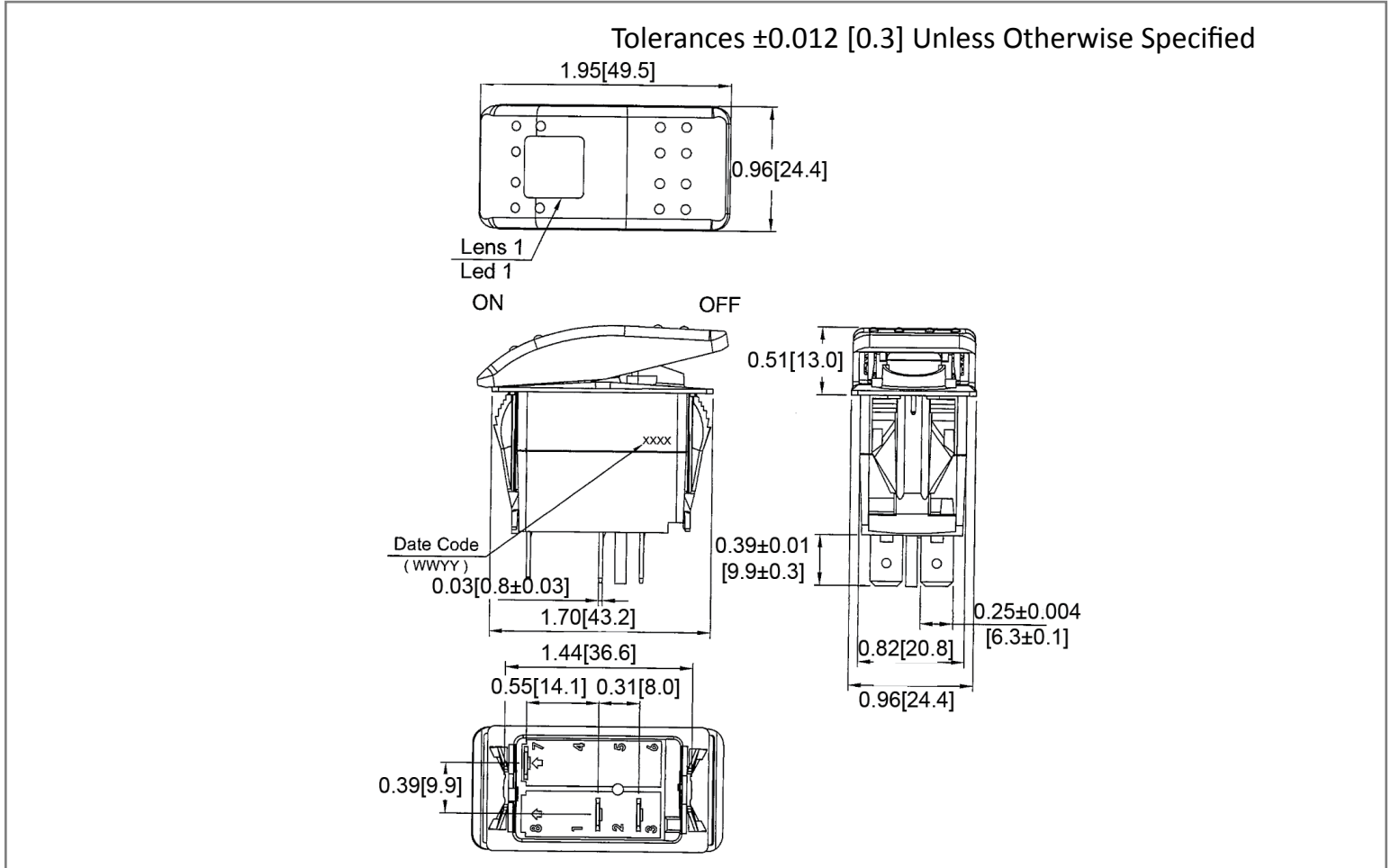
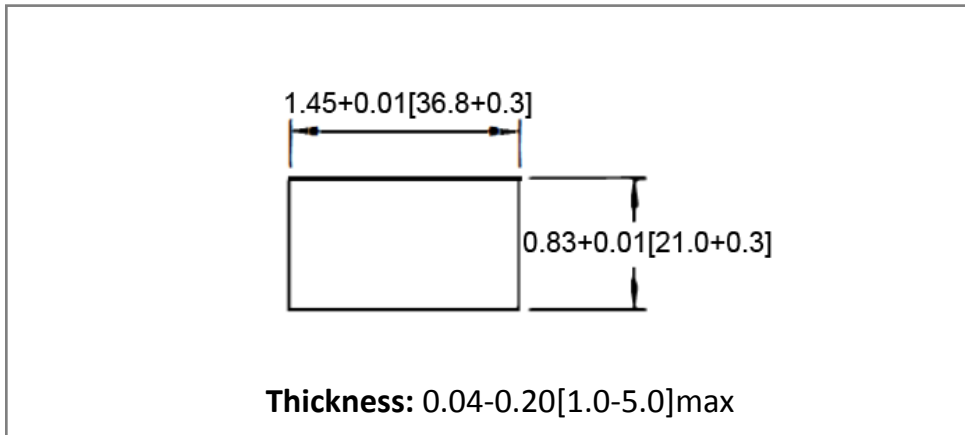


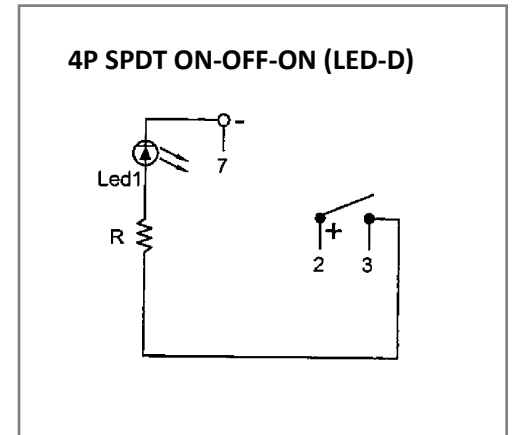
**Mechanical Dimensions: Inches [mm]**



**Mounting Hole**



**Circuit Diagram**



**Electrical Specifications**

Rating	21A 14V DC
Contact Resistance	50m ohm Max.
Insulation Resistance	DC 500V 100M ohm Min.
Dielectric Strength	AC 1500V 1 minute
Operation Temperature	-25°C~85°C

**Material Specifications**

Frame   Actuator	Black, Nylon 66 (94V-2)
Lens	White diffused, PC
LED	Amber (Dependent)
Terminals	Silver Plated Copper / Brass
Splash-proof	IP56

**Rev**    **Date of issue**    **Revision Notes**

**Designed**    **Approved**

B	03-09-2020	Initial Drawing	RC	OF
---	------------	-----------------	----	----