

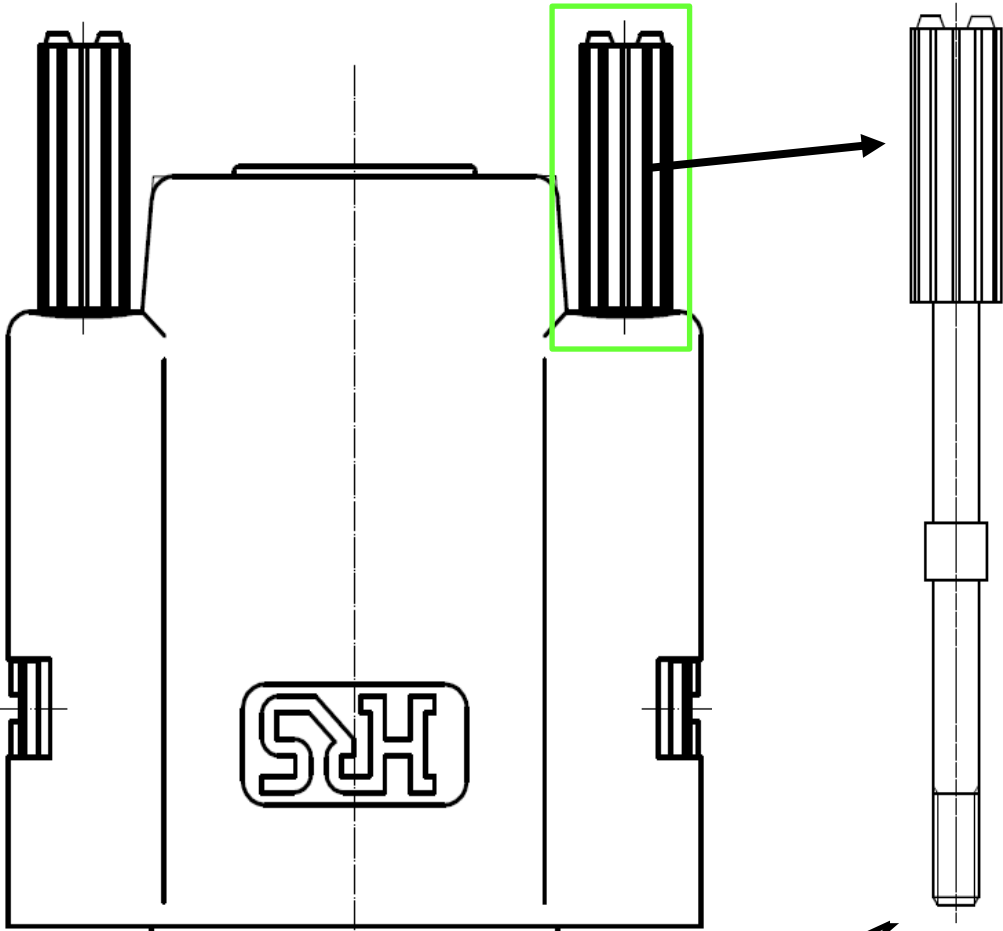
To:

Issue date / 発行日: 2021/4/8

Process Change Notice		Hirose Electric Co., Ltd. Koriyama plant Quality control section ヒロセ電機株式会社 郡山工場 品質管理課															
		Approval	Review	Creation													
		Tsukamoto	Inagaki	Nouchi													
<p>We truly appreciate your significant support always. We are currently planning on the below process change for the products planned to be delivered to your company. Forwarding shares the notification of the process change. Your approval on the change will be appreciated. 貴社益々ご清栄のこととお喜び申し上げます。 日頃は弊社製品のお引き立てを賜り、厚く御礼申し上げます。 早速ですが、貴社への納入製品について、下記の通り工程変更を計画しております。 つきましては、本書にて工程変更のご案内をさせていただきますので、変更に際してのご承認を賜りたくお願い申し上げます。</p>																	
Product number of your company / 貴社品番			Product number by Hirose / 弊社品番				Product name by Hirose / 弊社品名										
			244-0013-3 244-0014-6				DH-17-CV2B DH-27-CV2B										
Content of change / 変更内容	Type 区分	Screw insulator: 1: Creation of mold (See attached sheet) 2: Change of country of origin 3: Change in plating specifications															
	Reason 理由	Due to aging of mold / for a stable supply															
	Before the change 変更前			After the change 変更後				The scope that will be affected. 影響範囲									
Screw insulator: 1: Existing mold 2: Produced in Taiwan 3: Electroplating (CuP1 + NiP2)			Screw insulator ① Replaced mold ② To be produced in Japan ③ Electroless plating (NiP3) * No copper for base plating				The change will not affect performance as it is not related to product design change. The plating specification of the lock screw will be changed, so the appearance of the product will be changed. Necessary evaluation tests will be conducted to confirm that there are no problems.										
Execution schedule of the change plan / 変更実施計画	Schedule 日程	1/F	1/E	2/F	2/E	3/F	3/E	4/F	4/E	5/F	5/E	6/F	6/E	7/F	7/E	8/F	8/E
	Preparation of process 工程整備					→											
	Preparation of standards, etc. 標準類の整備						→										
	Trial / トライ						→										
	Training on operators 作業教育						→										
	Product evaluation test 製品評価試験							→									
	Submission of sample サンプル提出									→							
	Submission of the initial product inspection result 初品検査結果提出										→						
Scheduled delivery date of mass production products 量産納入予定日	From August, 2021							Remarks 備考									

Hirose Electric		Customer name: 貴社名:	
Answer to the notification 回答書	Product name 製品名:	Judgment day ご判定日	
	Content of change: 変更内容:	Person in charge ご担当者	
Approve or Not approve for the change: 変更可否:	Approved 承認	Not approved 否認	Conditionally approved: 条件付
Required materials for submission / other directions 必要提出資料、その他指示事項			

What is screw insulator?



Integrally molded the lock screw