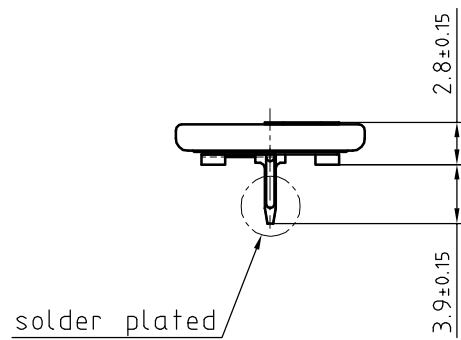
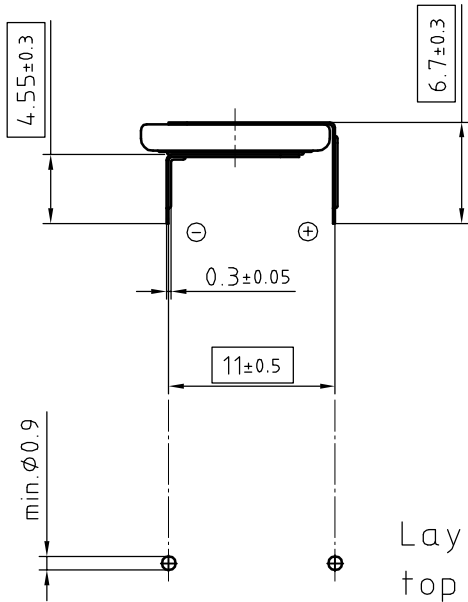
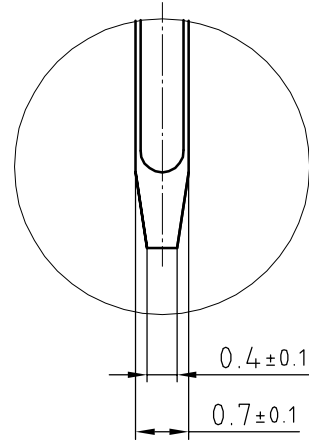
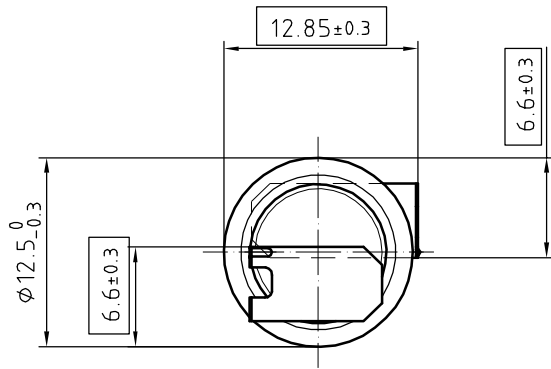


Art.-Number: 703933



Samples can deviate in the execution from the serie.

Tab material: Stainless steel

Direction of tab corrugation could be to the inner side, or outer side

All dimensions in mm.

Dimensions and tolerances can be specified only after the testing of the devices for the mass production definitely

© 2018 by Renata SA Itingen/Switzerland

All framed values will be used for dimension checking !

The Products of Renata SA are neither designed nor authorized for use in certain areas of application of environment.  
For further details we refer to our webpage [www.renata.com/downloads/restriction\\_of\\_use](http://www.renata.com/downloads/restriction_of_use)

Rev.	①	23.08.19	PWU	Rev.	○				Customer's Approval		
Rev.	○			Rev.	○				Date		
Rev.	○			Rev.	○				Signature		
Title:								Scale	Drawn	18.05.18	PWU
CR1220 MFR FH								2:1	Checked		
								Approved			
				CH-4452 Itingen Switzerland				10.1752.4-1			