

CMMSH1-40L

SURFACE MOUNT SILICON
LOW V_F
SCHOTTKY RECTIFIER
1.0 AMP, 40 VOLT



SOD-123F CASE



www.centrasemi.com

DESCRIPTION:

The CENTRAL SEMICONDUCTOR CMMSH1-40L is a 1.0A, low V_F , silicon Schottky rectifier. This high efficiency, low V_F Schottky features high current capacity packaged in a small, thermally efficient, SOD-123F surface mount package. When compared to similar devices in the larger SMA package, this device is 58% smaller, with a 67% lower profile, making it ideally suited for applications where performance and size are critical.

MARKING CODE: CS40FL

APPLICATIONS:

- DC-DC converters
- Voltage clamping
- Protection circuits
- Battery powered applications including cell phones, digital cameras, pagers, PDAs, laptop computers, etc.

FEATURES:

- High current (1.0A Max), 40V device
- Low V_F (0.45V Max)
- High surge current 50A
- Thermally efficient SOD-123F Flat Lead package design

MAXIMUM RATINGS: ($T_J=25^\circ\text{C}$)

Peak Repetitive Reverse Voltage
DC Blocking Voltage
Average Forward Current
Peak Forward Surge Current
Power Dissipation (Note 1)
Operating Junction Temperature
Storage Temperature
Thermal Resistance

SYMBOL

SYMBOL		UNITS
V_{RRM}	40	V
V_R	40	V
I_O	1.0	A
I_{FSM}	50	A
P_D	550	mW
T_J	-55 to + 125	$^\circ\text{C}$
T_{stg}	-55 to + 150	$^\circ\text{C}$
Θ_{JA}	181	$^\circ\text{C/W}$

ELECTRICAL CHARACTERISTICS: ($T_J=25^\circ\text{C}$ unless otherwise noted)

SYMBOL	TEST CONDITIONS	MIN	TYP	MAX	UNITS
I_R	$V_R=20\text{V}$		3.0	150	μA
I_R	$V_R=40\text{V}$		10	500	μA
I_R	$V_R=40\text{V}, T_J=85^\circ\text{C}$			25	mA
BV_R	$I_R=0.5\text{mA}$	40			V
V_F	$I_F=1.0\text{A}$		0.4	0.45	V
C_J	$V_R=10\text{V}, f=1.0\text{MHz}$		70		pF

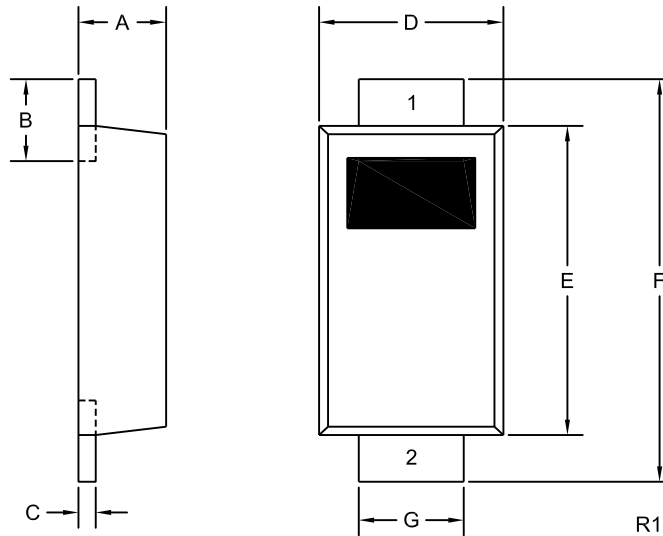
Note 1: FR-5 board (1.0 x 0.75 x 0.062in) with copper mounting pad area of 2.9mm²

R3 (24-November 2015)

CMMSH1-40L
SURFACE MOUNT SILICON
LOW V_F
SCHOTTKY RECTIFIER
1.0 AMP, 40 VOLT



SOD-123F CASE - MECHANICAL OUTLINE



LEAD CODE:

- 1) Cathode
- 2) Anode

MARKING CODE: CS40FL

SYMBOL	INCHES		MILLIMETERS	
	MIN	MAX	MIN	MAX
A	0.035	0.043	0.88	1.08
B	0.020	0.031	0.50	0.80
C	0.004	0.008	0.10	0.20
D	0.065	0.077	1.65	1.95
E	0.104	0.116	2.65	2.95
F	0.140	0.156	3.55	3.95
G	0.030	0.041	0.75	1.05

SOD-123F (REV:R1)

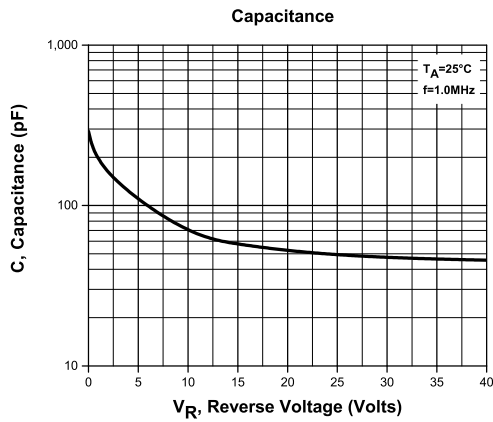
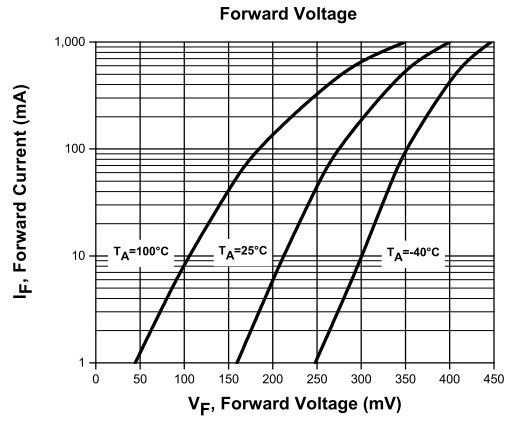
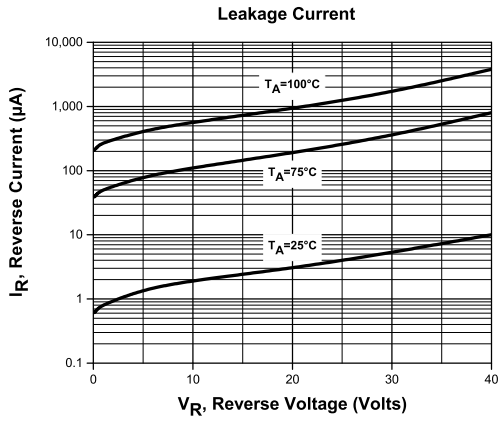
R3 (24-November 2015)

CMMSH1-40L

SURFACE MOUNT SILICON
LOW V_F
SCHOTTKY RECTIFIER
1.0 AMP, 40 VOLT



TYPICAL ELECTRICAL CHARACTERISTICS



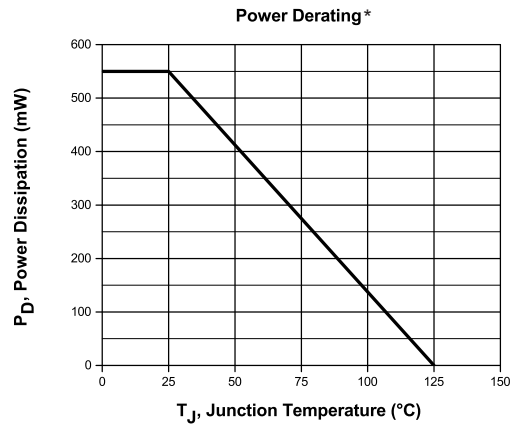
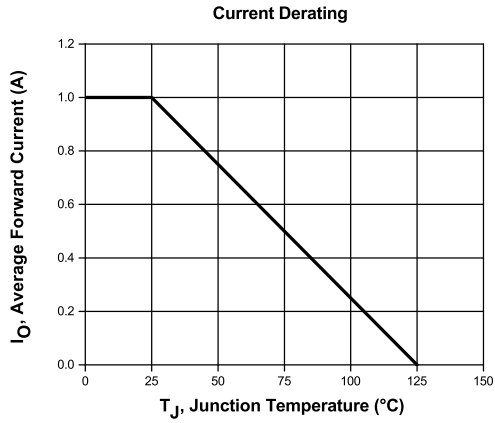
R3 (24-November 2015)

CMMSH1-40L

SURFACE MOUNT SILICON
LOW V_F
SCHOTTKY RECTIFIER
1.0 AMP, 40 VOLT



TYPICAL ELECTRICAL CHARACTERISTICS



*FR-5 board (1.0 x 0.75 x 0.062in) with copper mounting pad area of 2.9mm²

R3 (24-November 2015)

OUTSTANDING SUPPORT AND SUPERIOR SERVICES



PRODUCT SUPPORT

Central's operations team provides the highest level of support to insure product is delivered on-time.

- Supply management (Customer portals)
- Inventory bonding
- Consolidated shipping options
- Custom bar coding for shipments
- Custom product packing

DESIGNER SUPPORT/SERVICES

Central's applications engineering team is ready to discuss your design challenges. Just ask.

- Free quick ship samples (2nd day air)
- Online technical data and parametric search
- SPICE models
- Custom electrical curves
- Environmental regulation compliance
- Customer specific screening
- Up-screening capabilities
- Special wafer diffusions
- PbSn plating options
- Package details
- Application notes
- Application and design sample kits
- Custom product and package development

REQUESTING PRODUCT PLATING

1. If requesting Tin/Lead plated devices, add the suffix "TIN/LEAD" to the part number when ordering (example: 2N2222A TIN/LEAD).
2. If requesting Lead (Pb) Free plated devices, add the suffix "PBFREE" to the part number when ordering (example: 2N2222A PBFREE).

CONTACT US

Corporate Headquarters & Customer Support Team

Central Semiconductor Corp.
145 Adams Avenue
Hauppauge, NY 11788 USA
Main Tel: (631) 435-1110
Main Fax: (631) 435-1824
Support Team Fax: (631) 435-3388
www.centrasemi.com

Worldwide Field Representatives:
www.centrasemi.com/wwreps

Worldwide Distributors:
www.centrasemi.com/wwdistributors

For the latest version of Central Semiconductor's **LIMITATIONS AND DAMAGES DISCLAIMER**, which is part of Central's Standard Terms and Conditions of sale, visit: www.centrasemi.com/terms