

## Description

The DIODES AP43771V is a highly integrated USB Type-C® power delivery controller targeted for USB Type-C adapter and charger application. It is compatible with Qualcomm® QC4/4+/QC5 protocol, which supports USB power delivery specification Rev3.0 V1.2 (including optional PPS support).

The AP43771V can support PPS APDO (Augmented Power Data Object) with 20mV/step voltage resolution and 50mA/step current resolution for power management. Also embedded is cable-loss compensation and SOP command for e-Marker detection.

The AP43771V can provide a robust protection scheme with built-in OVP/OCP/SCP/OTP features.

Supporting emerging multiple Type-C PD applications, the AP43771V (W-QFN4040-24 (Type A1)) can be used for implementing smart power sharing scheme. It monitors status of other I2C interface connected ports and leverages the embedded MCU for command execution through I2C interface to re-allocate desired power profile for each Type-C port.

Rich power functions are embedded on the chip to reduce total BOM. A one-time programmable ROM is provided for main firmware, and a multi-time programmable ROM is provided for user configuration data.

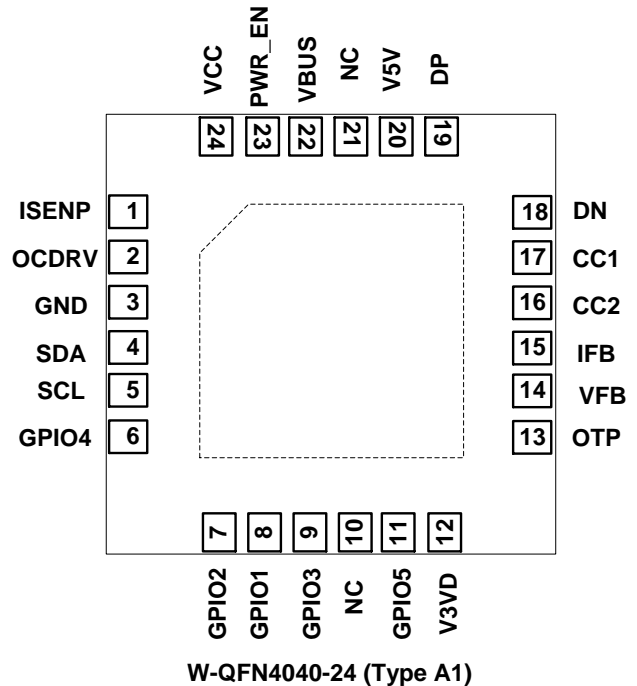
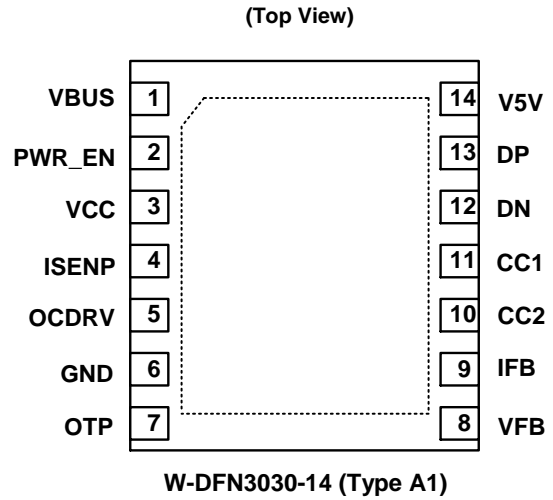
## Features

- Compatible with USB PD Rev3.0 V1.2 (TID = 4305)
- Qualcomm QC4/4+/QC5 Protocol Certified( QC20201127203)
- OTP (One-Time Programmable) for Main Firmware
- MTP (Multi-Time Programmable) for System Configuration
- Built-In Regulator for CV and CC Control
- Support SCP/OTP/OVP/UVP with Auto Restart
- Support Power Saving Mode
- External nMOSFET Control for VBUS Power Delivery
- Support E-Marker Cable Detection
- Support I2C interface (W-QFN4040-24 (Type A1) only)
- Operating Voltage Range: 3.3V to 24V
- Fewest External Component Count
- **Totally Lead-Free & Fully RoHS Compliant (Notes 1 & 2)**
- **Halogen and Antimony Free. "Green" Device (Note 3)**
- **For automotive applications requiring specific change control (i.e. parts qualified to AEC-Q100/101/104/200, PPAP capable, and manufactured in IATF 16949 certified facilities), please [contact us](https://www.diodes.com/quality/product-definitions/) or your local Diodes representative.**

<https://www.diodes.com/quality/product-definitions/>

- Notes:
1. No purposely added lead. Fully EU Directive 2002/95/EC (RoHS), 2011/65/EU (RoHS 2) & 2015/863/EU (RoHS 3) compliant.
  2. See <https://www.diodes.com/quality/lead-free/> for more information about Diodes Incorporated's definitions of Halogen- and Antimony-free, "Green" and Lead-free.
  3. Halogen- and Antimony-free "Green" products are defined as those which contain <900ppm bromine, <900ppm chlorine (<1500ppm total Br + Cl) and <1000ppm antimony compounds.

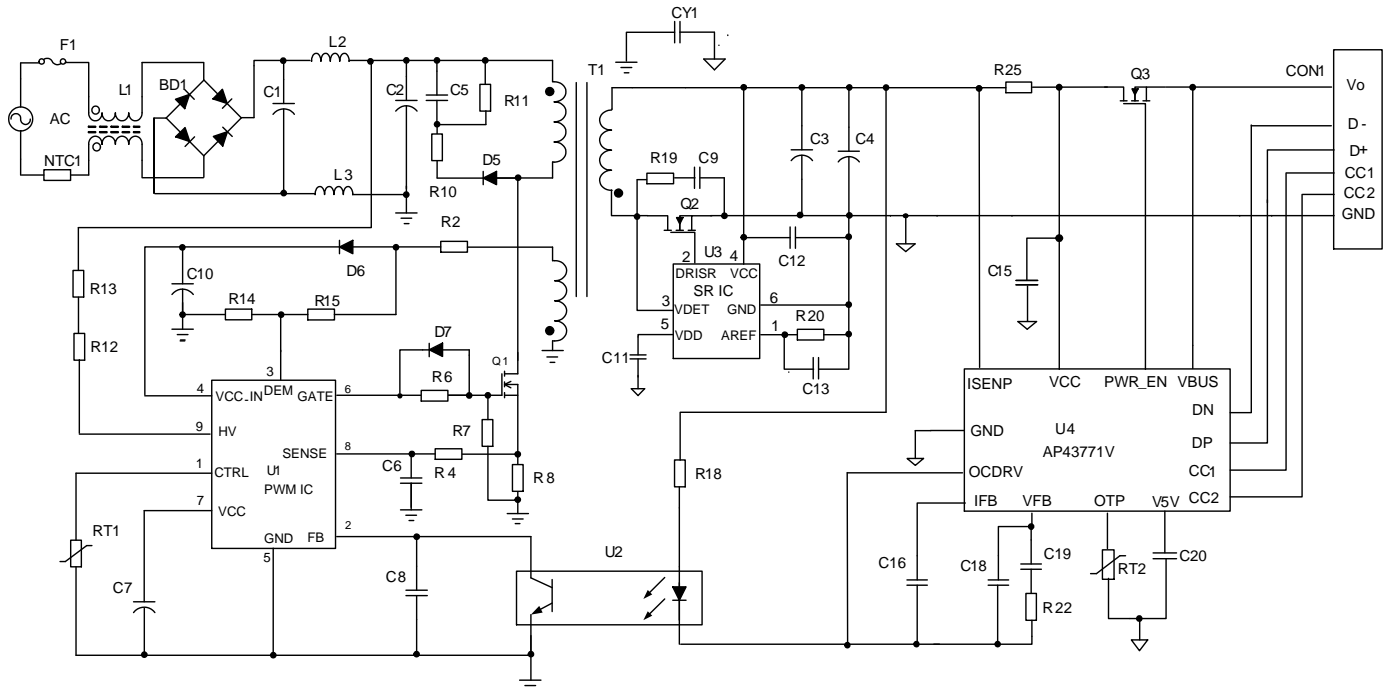
## Pin Assignments



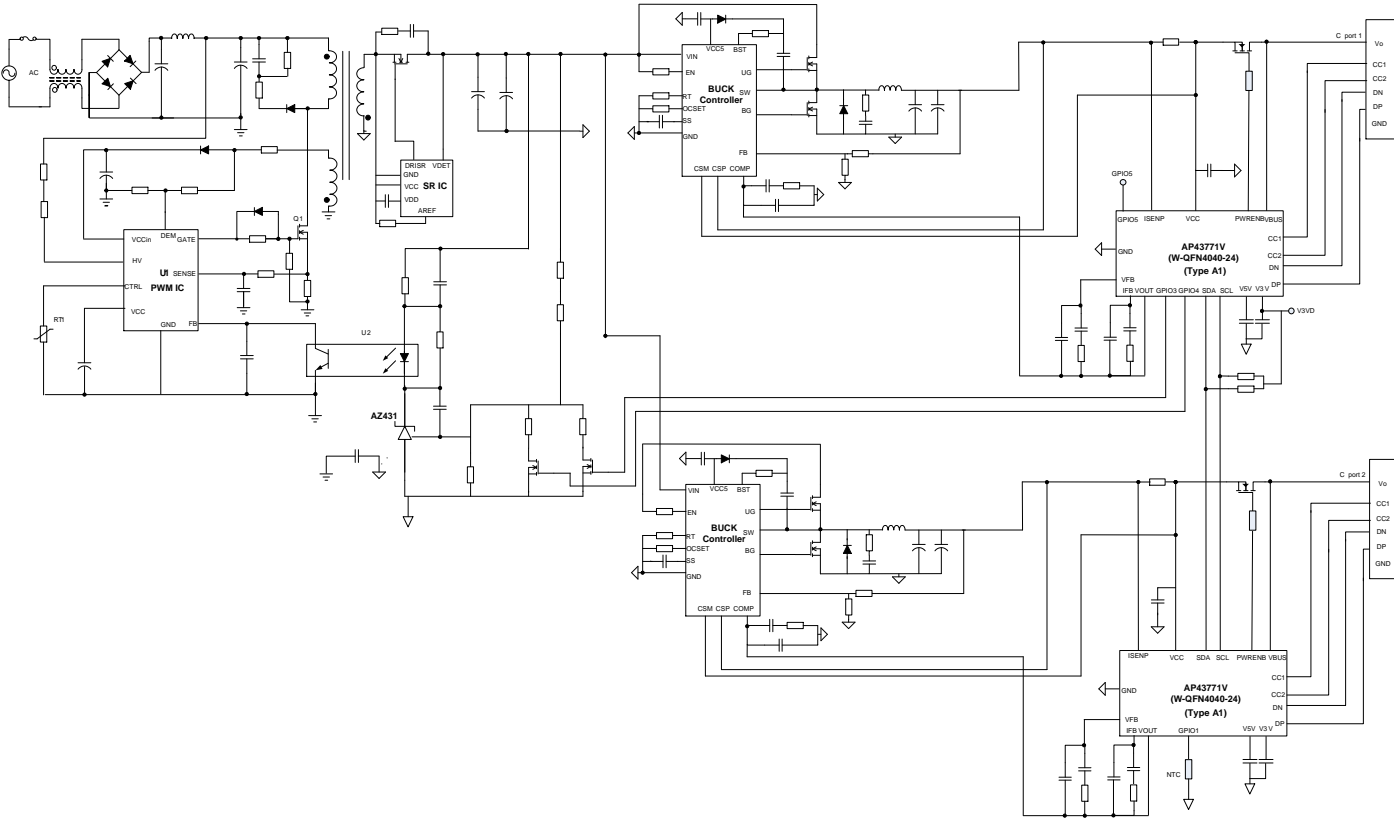
## Applications

- Type-C USB adapters/chargers
- USB PD converters

**Typical Applications Circuit**



Application 1: Traditional Single Type-C Port USB PD Charger Application



Application 2: Dual C-Ports USB PD Charger Application (W-QFN4040-24 (Type A1) Only)

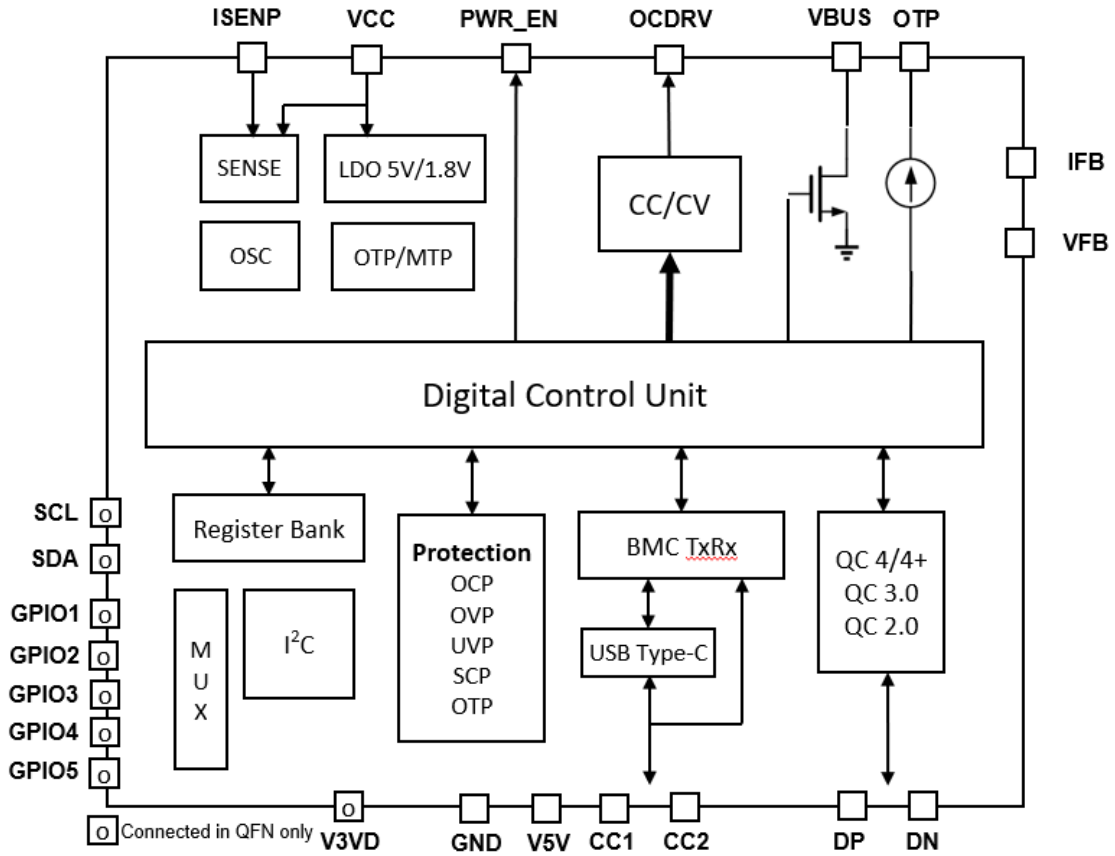
## Pin Descriptions (W-DFN3030-14 (Type A1))

Pin Number	Pin Name	Function
1	VBUS	Output Terminal for Discharge Path.
2	PWR_EN	External NMOS Gate Driver. To control external MOS switch, 1: To enable VBUS voltage 0: Disconnect VBUS.
3	VCC	The power supply of the IC, connected to a ceramic capacitor.
4	ISENP	Input Current Sense Positive Node.
5	OCDRV	CC/CV Output. Open Drain Output for Opto-Coupler.
6	GND	Ground
7	OTP	Source current to external NTC sensor for OTP (Overtemperature Protection). Current amplitude is programmable.
8	VFB	CV Input. Negative Node of CV OPAMP for Opto-Coupler.
9	IFB	CC Input. Negative Node of CC OPAMP for Opto-Coupler.
10	CC2	Type-C_CC2
11	CC1	Type-C_CC1
12	DN	Type-C_DN
13	DP	Type-C_DP
14	V5V	LDO-5V Output

## Pin Descriptions (W-QFN4040-24 (Type A1))

Pin Number	Pin Name	Function
1	ISENP	Input Current Sense Positive Node.
2	OCDRV	CC/CV Output. Open Drain Output for Opto-Coupler.
3	GND	Ground
4	SDA	GPIO/I2C Data
5	SCL	GPIO/I2C Clock
6	GPIO4	General Purpose Input or Output
7	GPIO2	General Purpose Input or Output
8	GPIO1	General Purpose Input or Output
9	GPIO3	General Purpose Input or Output
10	NC	No Connection
11	GPIO5	General Purpose Input or Output
12	V3VD	LDO-3V Output
13	OTP	Source Current to External NTC Sensor for OTP (Overtemperature Protection). Current amplitude is programmable.
14	VFB	CV Input. Negative Node of CV OPAMP for Opto-Coupler.
15	IFB	CC Input. Negative Node of CC OPAMP for Opto-Coupler.
16	CC2	Type-C_CC2
17	CC1	Type-C_CC1
18	DN	Type-C_DN
19	DP	Type-C_DP
20	V5V	LDO-5V Output
21	NC	No Connection
22	VBUS	Output Terminal for Discharge Path.
23	PWR_EN	External NMOS Gate Driver. To control external MOS switch, 1: To enable VBUS voltage 0: Disconnect VBUS.
24	VCC	The Power Supply of The IC, Connected to A Ceramic Capacitor.

**Functional Block Diagram**



**Absolute Maximum Ratings** (Note 4)

Symbol	Parameter	Rating	Unit	
V <sub>CC</sub>	Input Voltage at VCC Pin	-0.3 to 24	V	
V <sub>FB</sub> , V <sub>IFB</sub> , V <sub>OTP</sub>	Input Voltage at VFB, IFB, OTP Pins	-0.3 to 7	V	
V <sub>BUS</sub> , V <sub>PWR_EN</sub> , V <sub>ISENP</sub> , V <sub>OCDRV</sub>	Input Voltage at VBUS, PWR_EN, ISENP, OCDRV Pins	-0.3 to 24	V	
—	Voltage from PWR_EN to VCC Pin	-16 to 7	V	
V <sub>V5V</sub>	Input Voltage at V5V Pin	-0.3 to 7	V	
V <sub>CC1</sub> , V <sub>CC2</sub>	Input Voltage at CC1, CC2 Pins	-0.3 to 7	V	
V <sub>DP</sub> , V <sub>DN</sub>	Input Voltage at DP, DN Pins	-0.3 to 7	V	
V <sub>GPIO1-5</sub> , V <sub>GPIO5</sub> , V <sub>SDA</sub> , V <sub>SCL</sub>	Input Voltage at GPIO1-5, SDA, SCL Pins (Note 5)	-0.3 to 5	V	
T <sub>J</sub>	Operating Junction Temperature	-40 to +150	°C	
T <sub>STG</sub>	Storage Temperature	-65 to +150	°C	
T <sub>LEAD</sub>	Lead Temperature (Soldering, 10s)	+300	°C	
θ <sub>JA</sub>	Thermal Resistance (Junction to Ambient) (Note 6)	W-DFN3030-14 (Type A1)	54	°C/W
		W-QFN4040-24 (Type A1)	28	
θ <sub>JC</sub>	Thermal Resistance (Junction to Case) (Note 6)	W-DFN3030-14 (Type A1)	34	°C/W
		W-QFN4040-24 (Type A1)	16	
—	ESD (Human Body Model) Voltage on DP, DN, Pins	6	kV	
—	ESD (Human Body Model) Voltage on VBUS, ISENP, PWR_EN, VCC, OCDRV, OTP, V5V, IFB, VFB, CC1, CC2 Pins	2	kV	
—	ESD (Charged Device Model)	750	V	

- Notes:
- Stresses greater than those listed under "Absolute Maximum Ratings" can cause permanent damage to the device. These are stress ratings only, and Functional operation of the device at these or any other conditions beyond those indicated under "Recommended Operating Conditions" is not implied. Exposure to "Absolute Maximum Ratings" for extended periods can affect device reliability.
  - When GPIO1-5, SDA, SCL Pins are pulled high to a voltage source, it is strongly recommended to series a resistor with minimum 10k value.
  - Test condition: Device mounted on FR-4 substrate PC board, 2oz copper, with the minimum footprint.

**Recommended Operating Conditions**

Symbol	Parameter	Min	Max	Unit
V <sub>CC</sub>	Power Supply Voltage	3.3	24	V
T <sub>OP</sub>	Operating Temperature Range	-40	+85	°C

**Electrical Characteristics** (@T<sub>A</sub> = +25°C, unless otherwise specified.)

Symbol	Parameter	Condition	Min	Typ	Max	Unit
<b>VCC PIN SECTION</b>						
V <sub>ST</sub>	Startup Voltage	—	2.5	2.8	3.2	V
V <sub>UVLO</sub>	Minimum Operating Voltage	—	2.4	2.7	3	V
V <sub>CC_HYS</sub>	V <sub>CC</sub> Hysteresis (V <sub>ST</sub> -V <sub>UVLO</sub> )	—	0.05	—	—	V
I <sub>CC_DEEP SLEEP</sub>	V <sub>IN</sub> Current in Deep Sleep Mode	CC1/2 Detach after 3s V <sub>CC</sub> = 5V	—	550	900	μA
I <sub>CC_OPR</sub>	Operating Supply Current	V <sub>CC</sub> = 5V	—	3.3	6	mA
<b>VOLTAGE CONTROL LOOP SECTION</b>						
V <sub>REF_CV5</sub>	Reference Voltage for 5V CV Control	—	4.85	5	5.15	V
V <sub>REF_CV9</sub>	Reference Voltage for 9V CV Control	—	8.73	9	9.27	V
V <sub>REF_CV12</sub>	Reference Voltage for 12V CV Control	—	11.64	12	12.36	V
V <sub>CABLE</sub>	Cable Compensation (Note 7)	—	22	32	42	mV/A
I <sub>OS</sub>	Maximum OCDRV Pin Sink Current	V <sub>OUT</sub> = 5V	10	16	30	mA
<b>PROTECTION FUNCTION SECTION</b>						
V <sub>OVP5V</sub>	OVP_5V Enable Voltage (Note 8)	—	5.6	6	6.8	V
V <sub>OVP9V</sub>	OVP_9V Enable Voltage (Note 8)	—	9.9	10.8	12.1	V
V <sub>OVP12V</sub>	OVP_12V Enable Voltage (Note 8)	—	13.2	14.4	16.2	V
t <sub>DEBOUNCE_OVP</sub>	OVP Debounce Time (Note 10)	—	—	90	—	ms
V <sub>UVP5V</sub>	UVP_5V Enable Voltage	—	3.3	3.7	4.4	V
V <sub>UVP9V</sub>	UVP_9V Enable Voltage	—	5.9	6.8	7.7	V
V <sub>UVP12V</sub>	UVP_12V Enable Voltage	—	7.9	9.1	10	V
I <sub>OVD</sub>	Overvoltage Discharge Current	V <sub>CC</sub> = 5V	150	200	250	mA
t <sub>OCP</sub>	OCP Deglitch Time (Note 9)	—	—	30	—	ms
t <sub>RESTART_INTERVAL_SCP</sub>	Restart Interval Time under SCP (Note 9)	—	—	0.8	—	s
T <sub>OTP</sub>	Internal OTP Temperature (Note 9)	—	—	+140	—	°C
I <sub>OTP_EXTERNAL</sub>	External OTP Current	—	90	100	110	μA

- Notes:
7. Cable compensation voltage can be adjusted by setting from 0 to V<sub>CABLE</sub> · N (N: 0 to 7).
  8. 120% OVP setting & 76% UVP setting.
  9. Guaranteed by design.
  10. OVP blanking time during V<sub>O</sub> transition from high output voltage to low output voltage, such as 9V to 5V, or 12V to 5V.

**Electrical Characteristics** (@ $T_A = +25^\circ\text{C}$ , unless otherwise specified.) (continued)

Symbol	Parameter	Condition	Min	Typ	Max	Unit
<b>PROTECTION FUNCTION SECTION</b>						
$T_{HYS}$	OTP Recovery Hysteresis Temperature (Note 9)	—	—	+25	—	$^\circ\text{C}$
$t_{SLEEP}$	Enter Sleep Mode Time after Cable Detached (Note 9)	—	—	3	—	s
$t_{OV\_DELAY}$	Delay from OVP Threshold Trip to NMOS Gate Turn-Off (Note 9)	—	—	—	50	$\mu\text{s}$
$t_{UV\_DELAY}$	Delay from UVP Threshold Trip to NMOS Gate Turn-Off (Note 9)	—	—	30	—	ms
<b>CC1/CC2, DP/DN PIN SECTION</b>						
$V_{L\_RD3A}$	Low Voltage Threshold Used to Distinguish $R_D$ Attached or Detached for 3A Delivery	—	—	1.35	—	V
$V_{H\_RD3A}$	High Voltage Threshold Used to Distinguish $R_D$ Attached or Detached for 3A Delivery	—	—	2.0	—	V
$I_{RD3A}$	CC1/CC2 Current Source for 3A Advertisement	$V_{CC} = 5V$	304	330	356	$\mu\text{A}$
$V_{OVP\_DN}$	DN Line Overvoltage Protection Threshold	—	4.1	4.5	4.8	V
$V_{OVP\_DP}$	DP Line Overvoltage Protection Threshold	—	4.1	4.5	4.8	V

Note: 9. Guaranteed by design.



## Performance Characteristics

### System Power-On Sequence

Once provided an external power source, the AP43771V will wake up, and the USB PD controller and MCU will initialize. All analog control blocks will be ready and waiting for the PD negotiation process. Meanwhile, the AP43771V monitors the voltage and current conditions to avoid abnormal conditions from happening. Once any unacceptable condition happens, the AP43771V will go into the protection procedure according to the types of abnormal conditions.

### Voltage Transition

According to USB PD's protocol, the PD device requests different power profiles, and the AP43771V's power control blocks will change voltage and current values. The AP43771V provides corresponding Overvoltage Protection (OVP), Overcurrent Protection (OCP) scheme, and feedback system stability to guarantee monotonic voltage transition and avoid violating USB PD electrical specification.

The AP43771V provides zero-mismatch voltage methodology that is more flexible for customer system-design requirements. When UFP/DFP makes an acceptable power request deal, the AP43771V will change the VFB pin voltage according to the USB PD command. The voltage regulator control loop regulates the required  $V_{BUS}$  voltage according to  $V_{FB}$ . In addition, the shunt regulator is built-in to minimize the total external components and cost.

### I2C Interface (W-QFN4040-24 (Type A1) Only)

It includes I2C Interface pins (SCL, SDA, ) as below table, I2C commands are supported by firmware so that It can monitors and changes status of other I2C devices .

I2C interface pin list

Pin No	Pin Name	Pin Function
4	SDA	I2C Data
5	SCL	I2C Clock

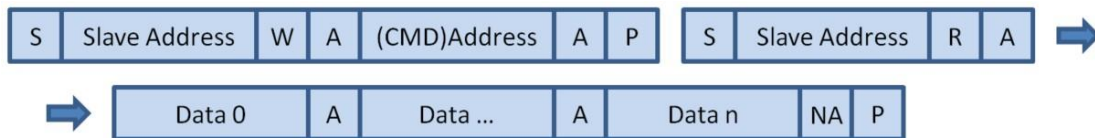
One AP43771V is played as an I2C either master or slave device. The I2C read and write operations are supported as below.

All transactions begin with a START (S) and be terminated by a STOP (P). A START condition is defined whenever a HIGH to LOW transition on the SDA while SCL is HIGH. A STOP condition is defined whenever a LOW to HIGH transition on the SDA while SCL is HIGH. START and STOP conditions are always generated by the master.

#### I2C Format for Write Data



#### I2C Format for Read Data



### Protection

The AP43771V provides OVP/UVP/OCP/SCP/OTP functions and supports Constant Current (CC) function. All of the protection thresholds depend on the requested power profile, and provide the most reliable protection scheme.

The AP43771V provides OVP feature by turning off the power switch when  $V_{BUS}$  is higher than OVP enable voltage. Meanwhile, it provides an internal discharge path to reduce the overvoltage duration, and terminates discharge current as soon as  $V_{BUS}$  reaches the target voltage. To avoid the  $V_{BUS}$  pin working abnormally, the AP43771V provides UVP function whenever  $V_{BUS}$  drops to UVP enable voltage.

To ensure the safe operation of USB PD, the AP43771V provides programmable OCP function to make sure output current will not be higher than the allowed maximum current. Once OCP conditions happen, the AP43771V will shut down the USB PD system and send "Hard Reset" to the Upstream-Facing Port (UFP) device.

---

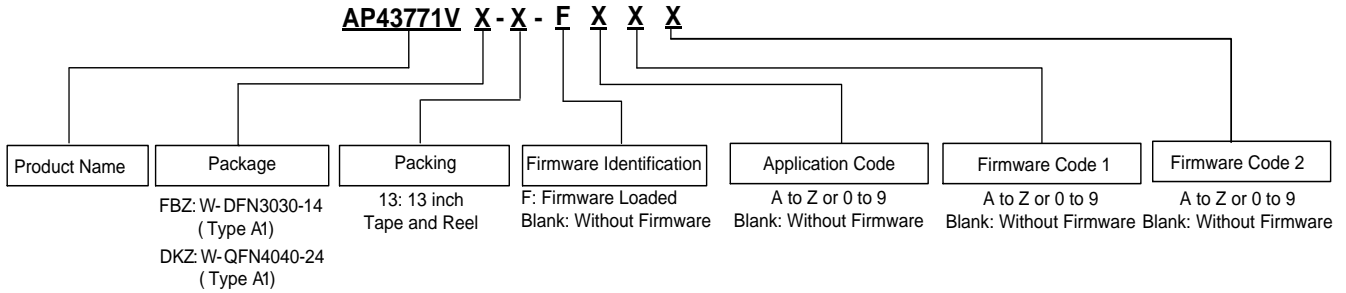
**Performance Characteristics** (continued)

---

**CV/CC**

The AP43771V supports Constant Voltage (CV) and Constant Current (CC) functions to control the output voltage and the output current by the control pin OCDRV. During the CV mode, the AP43771V operates in fixed PDO, and the output voltage will be regulated to the request voltage if the output current is below the allowed maximum current. Once the sink device draws more than  $I_{OCP}$ , the overcurrent protection occurs. When the CC mode function is enabled, the output voltage drops, and the source current is limited within 150mA whenever output current exceeds the allowed maximum current. When the output voltage drops below UVP, the constant current limit turns off  $V_{BUS}$  and starts error recovery procedure. The AP43771V will reset if the voltage continues dropping to the UVLO threshold.

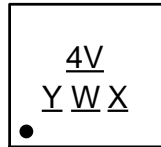
**Ordering Information**



Part Number	Package	Identification Code	Packing	
			Qty.	Carrier
AP43771VFBZ-13-FXXX	W-DFN3030-14 (Type A1)	4V	3000	13" Tape and Reel
AP43771VDKZ-13-FXXX	W-QFN4040-24 (Type A1)	6B	3000	13" Tape and Reel

**Marking Information**

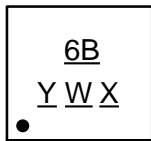
**( Top View )**



4V : Identification Code  
Y : Year : 0~9  
W : Week : A~Z : 1~26 week;  
a~z : 27~52 week; z represents  
52 and 53 week  
X : Internal Code

**W-DFN3030-14 (Type A1)**

**( Top View )**



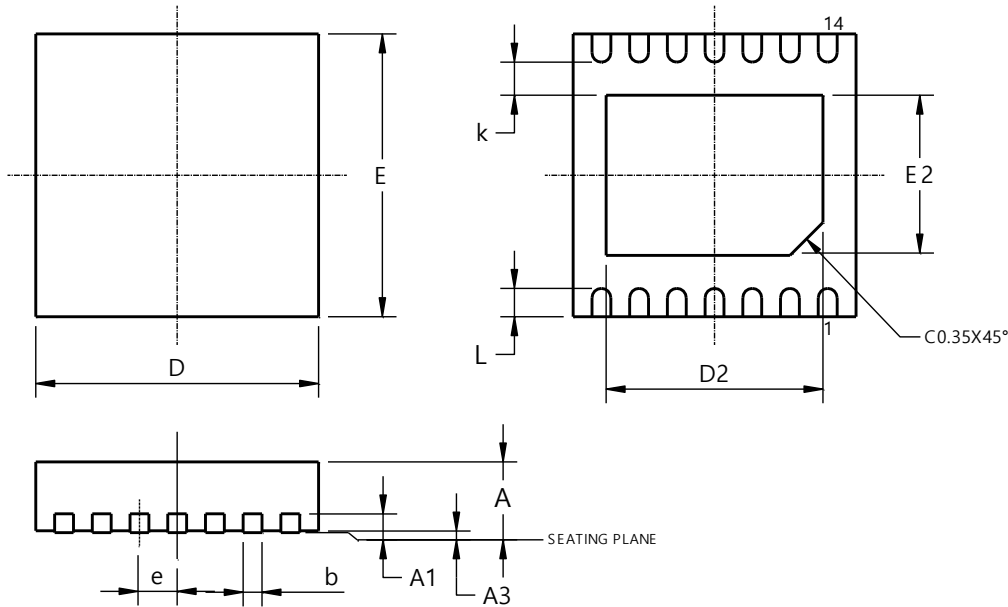
6B : Identification Code  
Y : Year : 0 to 9  
W : Week : A to Z : 1 to 26 Week;  
a to z : 27 to 52 Week; z Represents  
52 and 53 Week  
X : Internal Code

**W-QFN4040-24 (Type A1)**

**Package Outline Dimensions**

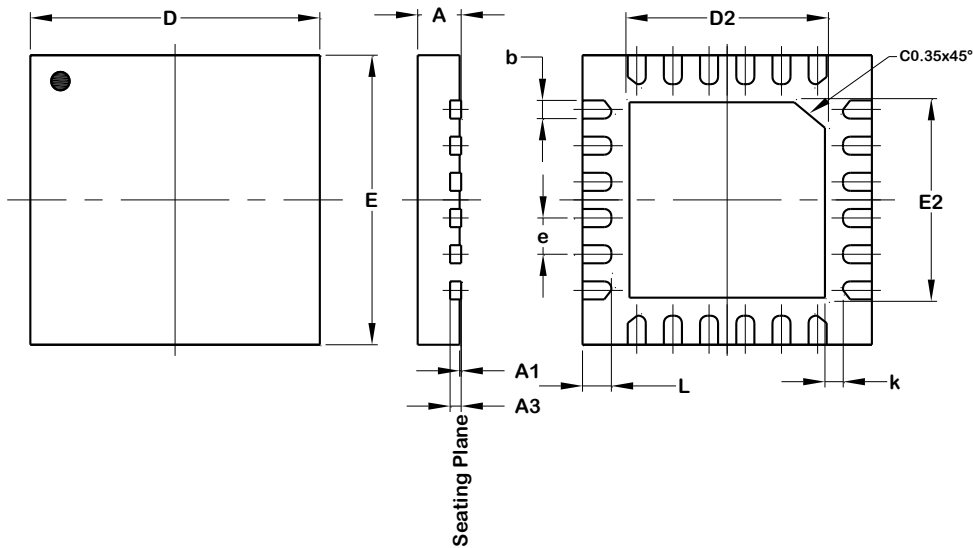
Please see <http://www.diodes.com/package-outlines.html> for the latest version.

**W-DFN3030-14 (Type A1)**



W-DFN3030-14 (Type A1)			
Dim	Min	Max	Typ
A	0.70	0.80	0.75
A1	0	0.05	0.02
A3	0.203REF		
b	0.15	0.25	0.20
D	3.00BSC		
D2	2.55	2.65	2.60
e	0.40BSC		
E	3.00BSC		
E2	1.65	1.75	1.70
k	0.20	--	--
L	0.35	0.45	0.40
<b>All Dimensions in mm</b>			

**W-QFN4040-24 (Type A1)**

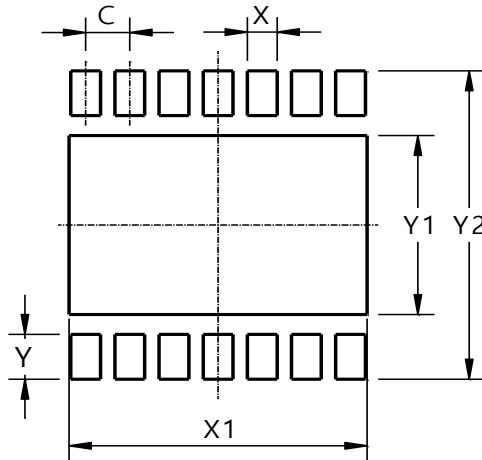


W-QFN4040-24 (Type A1)			
Dim	Min	Max	Typ
A	0.70	0.80	0.75
A1	0.00	0.05	0.02
A3	0.203 REF		
b	0.18	0.30	0.25
D	4.00 BSC		
D2	2.65	2.75	2.70
E	4.00 BSC		
E2	2.65	2.75	2.70
e	0.50 BSC		
k	0.20	--	--
L	0.35	0.45	0.40
<b>All Dimensions in mm</b>			

## Suggested Pad Layout

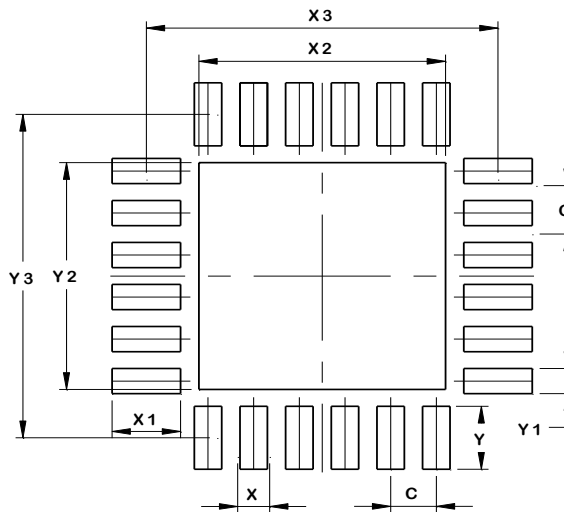
Please see <http://www.diodes.com/package-outlines.html> for the latest version.

W-DFN3030-14 (Type A1)



Dimensions	Value (in mm)
C	0.40
X	0.27
X1	2.70
Y	0.45
Y1	1.80
Y2	3.10

W-QFN4040-24 (Type A1)



Dimensions	Value (in mm)
C	0.500
X	0.300
X1	0.750
X2	2.700
X3	3.850
Y	0.750
Y1	0.300
Y2	2.700
Y3	3.850

## Mechanical Data

- Moisture Sensitivity: Level 1 per J-STD-020
- Terminals: Finish – Matte Tin Plated Leads, Solderable per J-STD-202 ③
- Weight: W-DFN3030-14 (Type A1), 0.017 grams (Approximate)  
W-QFN4040-24 (Type A1), 0.041 grams (Approximate)

**IMPORTANT NOTICE**

1. DIODES INCORPORATED (Diodes) AND ITS SUBSIDIARIES MAKE NO WARRANTY OF ANY KIND, EXPRESS OR IMPLIED, WITH REGARDS TO ANY INFORMATION CONTAINED IN THIS DOCUMENT, INCLUDING, BUT NOT LIMITED TO, THE IMPLIED WARRANTIES OF MERCHANTABILITY, FITNESS FOR A PARTICULAR PURPOSE OR NON-INFRINGEMENT OF THIRD PARTY INTELLECTUAL PROPERTY RIGHTS (AND THEIR EQUIVALENTS UNDER THE LAWS OF ANY JURISDICTION).
2. The Information contained herein is for informational purpose only and is provided only to illustrate the operation of Diodes' products described herein and application examples. Diodes does not assume any liability arising out of the application or use of this document or any product described herein. This document is intended for skilled and technically trained engineering customers and users who design with Diodes' products. Diodes' products may be used to facilitate safety-related applications; however, in all instances customers and users are responsible for (a) selecting the appropriate Diodes products for their applications, (b) evaluating the suitability of Diodes' products for their intended applications, (c) ensuring their applications, which incorporate Diodes' products, comply the applicable legal and regulatory requirements as well as safety and functional-safety related standards, and (d) ensuring they design with appropriate safeguards (including testing, validation, quality control techniques, redundancy, malfunction prevention, and appropriate treatment for aging degradation) to minimize the risks associated with their applications.
3. Diodes assumes no liability for any application-related information, support, assistance or feedback that may be provided by Diodes from time to time. Any customer or user of this document or products described herein will assume all risks and liabilities associated with such use, and will hold Diodes and all companies whose products are represented herein or on Diodes' websites, harmless against all damages and liabilities.
4. Products described herein may be covered by one or more United States, international or foreign patents and pending patent applications. Product names and markings noted herein may also be covered by one or more United States, international or foreign trademarks and trademark applications. Diodes does not convey any license under any of its intellectual property rights or the rights of any third parties (including third parties whose products and services may be described in this document or on Diodes' website) under this document.
5. Diodes' products are provided subject to Diodes' Standard Terms and Conditions of Sale (<https://www.diodes.com/about/company/terms-and-conditions/terms-and-conditions-of-sales/>) or other applicable terms. This document does not alter or expand the applicable warranties provided by Diodes. Diodes does not warrant or accept any liability whatsoever in respect of any products purchased through unauthorized sales channel.
6. Diodes' products and technology may not be used for or incorporated into any products or systems whose manufacture, use or sale is prohibited under any applicable laws and regulations. Should customers or users use Diodes' products in contravention of any applicable laws or regulations, or for any unintended or unauthorized application, customers and users will (a) be solely responsible for any damages, losses or penalties arising in connection therewith or as a result thereof, and (b) indemnify and hold Diodes and its representatives and agents harmless against any and all claims, damages, expenses, and attorney fees arising out of, directly or indirectly, any claim relating to any noncompliance with the applicable laws and regulations, as well as any unintended or unauthorized application.
7. While efforts have been made to ensure the information contained in this document is accurate, complete and current, it may contain technical inaccuracies, omissions and typographical errors. Diodes does not warrant that information contained in this document is error-free and Diodes is under no obligation to update or otherwise correct this information. Notwithstanding the foregoing, Diodes reserves the right to make modifications, enhancements, improvements, corrections or other changes without further notice to this document and any product described herein. This document is written in English but may be translated into multiple languages for reference. Only the English version of this document is the final and determinative format released by Diodes.
8. Any unauthorized copying, modification, distribution, transmission, display or other use of this document (or any portion hereof) is prohibited. Diodes assumes no responsibility for any losses incurred by the customers or users or any third parties arising from any such unauthorized use.
9. This Notice may be periodically updated with the most recent version available at <https://www.diodes.com/about/company/terms-and-conditions/important-notice>

The Diodes logo is a registered trademark of Diodes Incorporated in the United States and other countries.  
All other trademarks are the property of their respective owners.  
© 2023 Diodes Incorporated. All Rights Reserved.

[www.diodes.com](http://www.diodes.com)