

BACKSHELL KIT INCLUDES:

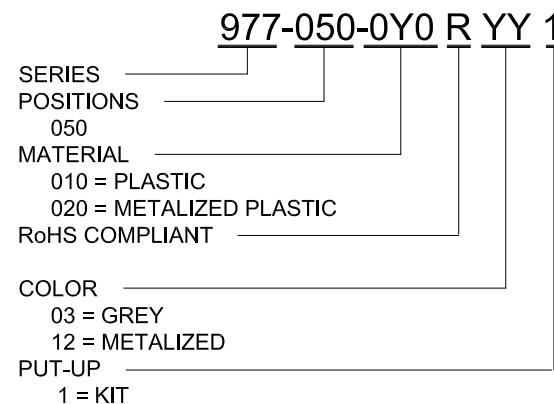
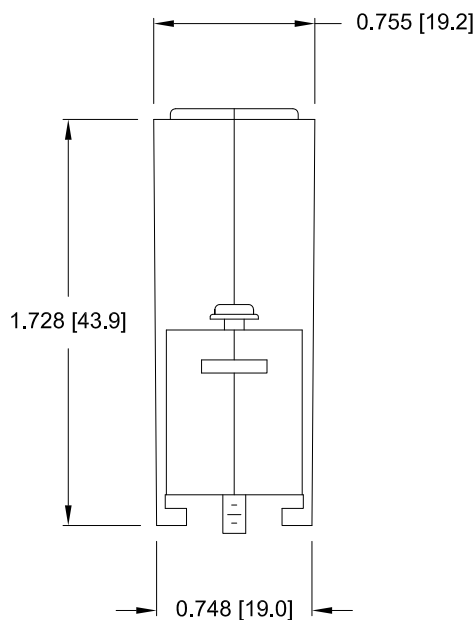
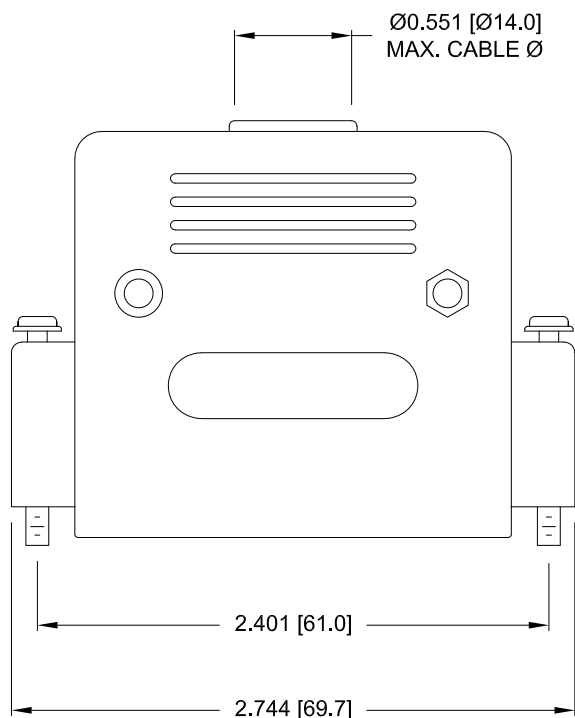
- (2) BACKSHELL HALVES
- (2) HOUSING SCREWS
- (2) HOUSING NUTS
- (2) 4-40 MOUNTING SCREWS
- (2) STRAIN RELIEF CLAMPS
- (2) STRAIN RELIEF SCREWS

METALIZED PLASTIC:

MATERIAL: ABS HIGH TEMPERATURE PLASTIC UL94HB
 METALIZED PLATING: NICKEL OVER COPPER
 OPERATING TEMP: -35°C TO 85°C

PLASTIC:

MATERIAL: ABS HIGH TEMPERATURE PLASTIC UL94HB
 OPERATING TEMP: -35°C TO 85°C



RoHS COMPLIANT

UNITS = inch [mm]

DO NOT SCALE FROM DRAWING



THESE DRAWINGS AND SPECIFICATIONS ARE THE PROPERTY OF NorComp AND SHALL NOT BE REPRODUCED, COPIED OR USED AS THE BASIS FOR THE MANUFACTURE OR SALE OF APPARATUS WITHOUT WRITTEN PERMISSION.

DRAWN:

J. KADEL

DATE:

08/22/2019

NorComp

SCALE: NTS

SHEET 1 OF 1

REV 4

DWG NO.

977-050-0Y0RYY1