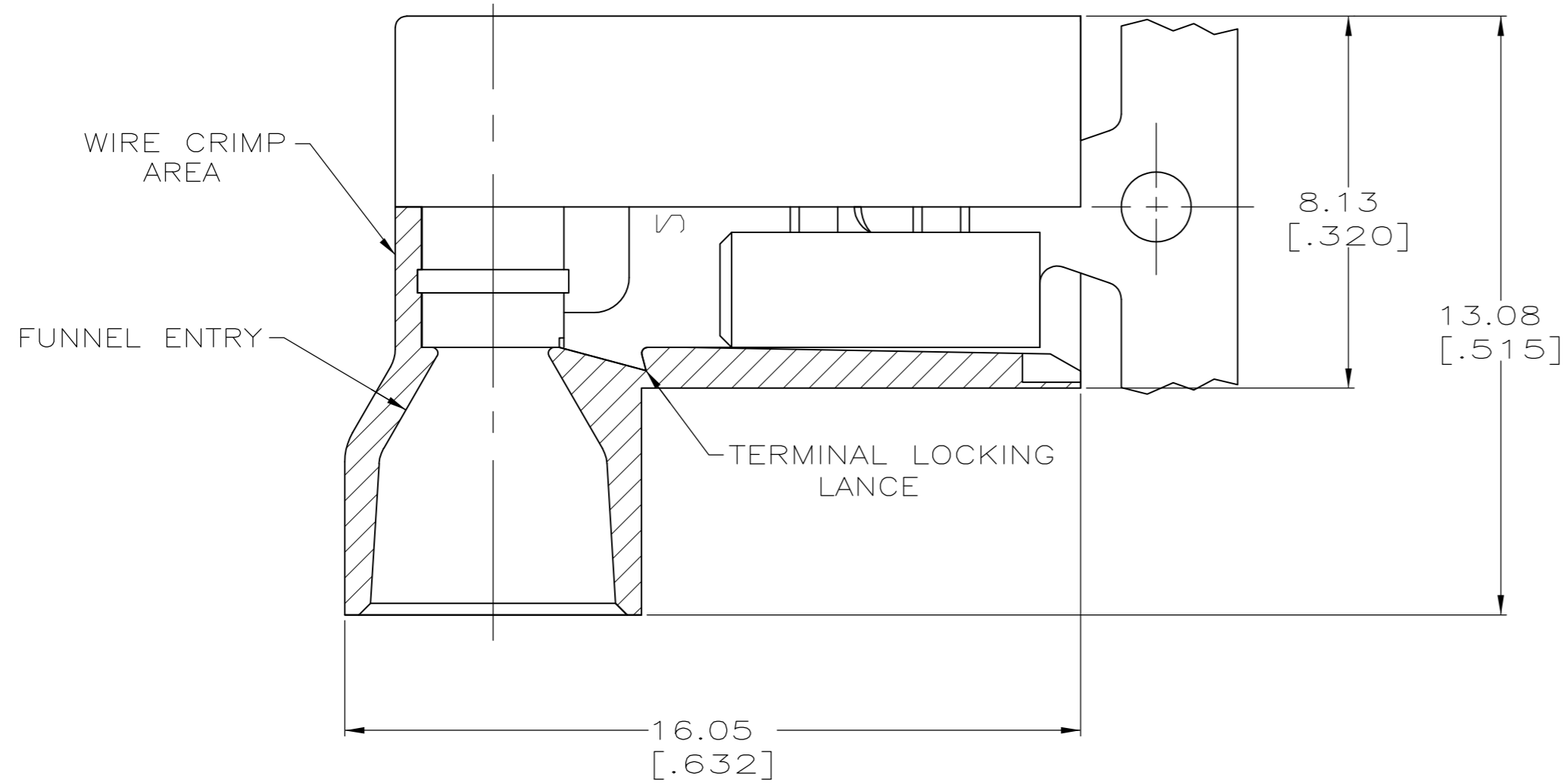
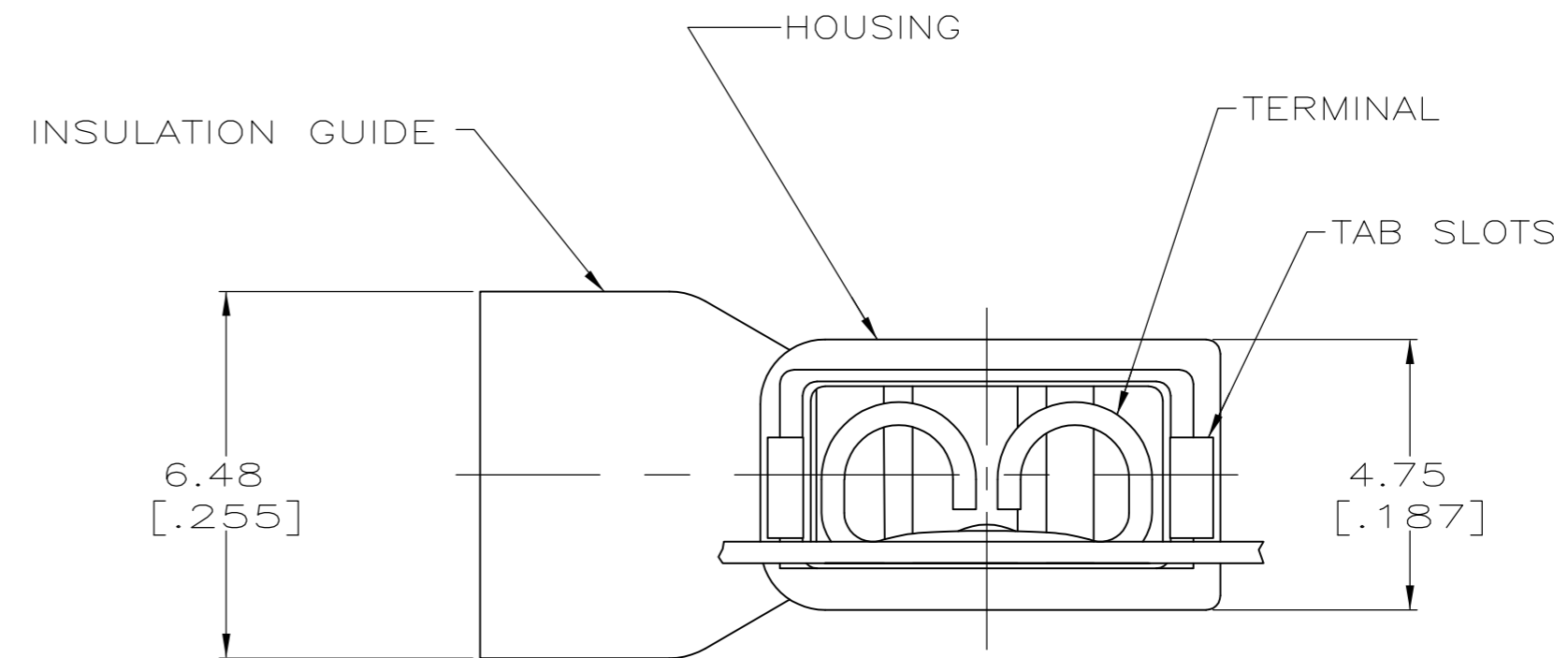
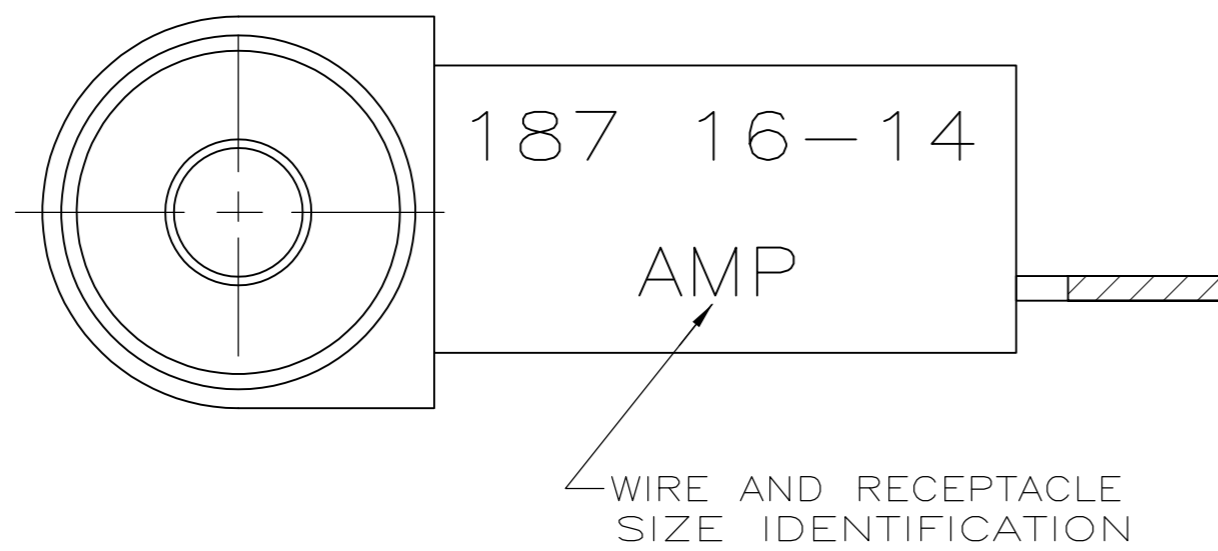


THIS DRAWING IS UNPUBLISHED. RELEASED FOR PUBLICATION
 © COPYRIGHT - By - ALL RIGHTS RESERVED.

LOC	DIST	REVISIONS			
P	LTR	DESCRIPTION	DATE	DWN	APVD
AF	50				
	K	REVISED PER ECR-13-004343	30JUL13	KH	KR



- 1 FITS 0.81±0.025 X 4.75 [.032±.001 X .187] TAB
- 2 WIRE SIZE: 1.3-2.0mm² [16-14 AWG], STRANDED ONLY. STRIP LENGTH 7.14 [.281]
- 3 INSULATION SIZE: 4.70 [.185] MAX DIA.
- 4 CONTINUOUS STRIP.



TYPE 6/6 NYLON	BLACK TRANSLUCENT	BRASS	TIN	9-520340-2
	BLUE TRANSLUCENT			3-520340-2
MATERIAL	COLOR	MATERIAL	FINISH	PART NUMBER
HOUSING		TERMINAL		

THIS DRAWING IS A CONTROLLED DOCUMENT.		DWN P FORTNEY 8/9/90			
DIMENSIONS: mm [INCHES]		CHK JR RUTH 8/9/90			
TOLERANCES UNLESS OTHERWISE SPECIFIED:		APVD D BRATINA 8/9/90			
0 PLC ± - 1 PLC ± - 2 PLC ± 0.38 [.015] 3 PLC ± - 4 PLC ± - ANGLES ± -		NAME			
MATERIAL SEE TABLE		FINISH SEE TABLE	PRODUCT SPEC 108-2043	RECEPTACLE ASSEMBLY, ULTRA-FAST FLAG, 4.75 [.187] SERIES	
			APPLICATION SPEC 114-2123	SIZE A2	RESTRICTED TO -
			WEIGHT -	CAGE CODE 00779	DRAWING NO C=520340
			CUSTOMER DRAWING	SCALE 8:1	SHEET 1 OF 1
				REV K	