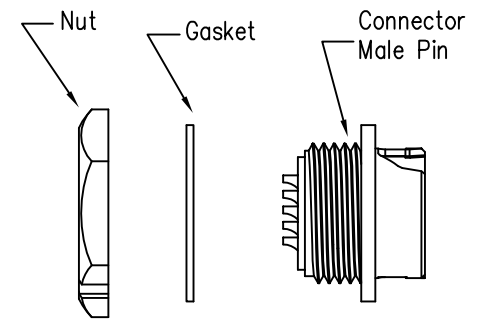
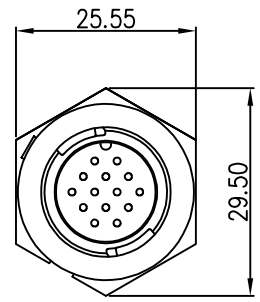
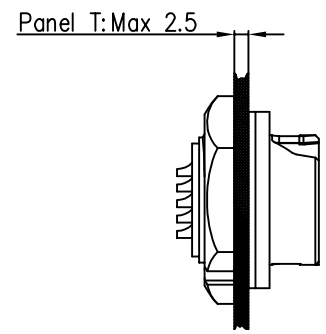
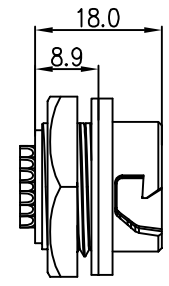


REV.	ECN NO.	DESCRIPTION	SIGN	DATE
C1	N/A	INITIAL DRAWING	Liu	2020/05/16



Recommended Panel Cut-Out

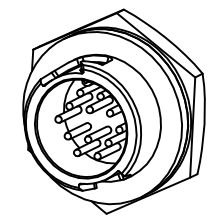


23XXX535-03
Pin Number

10 Pin	12 Pin	14 Pin
P/N: 23010535-03	P/N: 23012535-03	P/N: 23014535-03

Pin Assignments Front View

- Specification:
- 1.Operation Temperature: -45°C~105°C.
 - 2.Insulation Resistance:100MΩ at DC500V.
 - 3.Contact Resistance:<10mΩ.
 - 4.Withstand Voltage: 1000V AC
 - 5.Operating Current:5A
 - 6.Operating Voltage:DC 30V
 - 7.Waterproof Rate:IP67 (Mated)
 - 8.Housing:Nylon, Black
 - 9.Male Pin:Copper Alloy, Gold Plated
 - 10.Gasket:Silicon Gray
 - 11.Panel Nut:Nylon, Orange
 - 12.Torque Rate:0.8~1.0N·m
 - 13.RoHS Compliant.
 - 14.Mating Cap P/N:806-00103-00



UNIT:mm		DESCRIPTION	Middle Series Push Lock Rear Mount With Male Pin	PART NO	23XXX535-03	DRAWN BY	Liu	DATE	2020/05/16
TOLERANCE		SCALE	1:1	SHEET		CHECKED BY		DATE	
.X ±0.25		SHEET		1 OF 1		APPROVED BY		DATE	
.XX ±0.15		REV.	C1	SIZE	A4	Adley		2020/05/16	
.XXX ±0.05		* :Inspection Item							
ANGLES ±1°									

THIS INFORMATION IS CONFIDENTIAL AND IS DISCLOSED TO YOU ON CONDITION THAT NO FURTHER DISCLOSURE IS MADE BY YOU TO OTHER THAN CHOGORI PERSONNEL WITHOUT AUTHORIZATION FROM CHOGORI CORP.