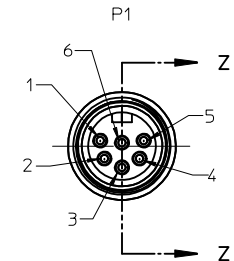
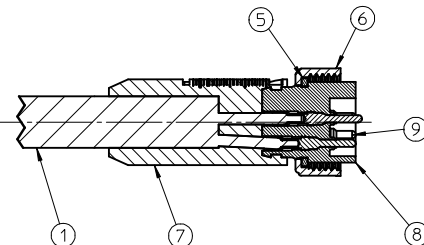


Section Z-Z



| PART NUMBER | ENGINEERING NO. | LENGTH |
|-------------|-----------------|--|
| 1300110008 | 226020A01F030 | 3' 0" +1.75 - 0 [.9M +44.5 - 0] |
| 1300110010 | 226020A01F060 | 6' 0" +2.19 - 0 [1.8M +55.6 - 0] |
| 1300110013 | 226020A01F090 | 9' 0" +3.50 - 0 [2.7M +88.9 - 0] |
| 1300110016 | 226020A01F120 | 12' 0" +3.50 - 0 [3.7M +88.9 - 0] |
| 1300110018 | 226020A01F150 | 15' 0" +6.50 - 0 [4.6M +165.1 - 0] |
| 1300110019 | 226020A01F200 | 20' 0" +6.50 - 0 [6.1M +165.1 - 0] |
| 1300110022 | 226020A01F250 | 25' 0" +12.50 - 0 [7.6M +317.5 - 0] |
| 1300110023 | 226020A01F300 | 30' 0" +12.50 - 0 [9.1M +317.5 - 0] |
| 1300110025 | 226020A01F350 | 35' 0" +12.50 - 0 [10.7M +317.5 - 0] |
| 1300110026 | 226020A01F400 | 40' 0" +12.50 - 0 [12.2M +317.5 - 0] |
| 1300110028 | 226020A01F500 | 50' 0" +24.50 - 0 [15.2M +622.3 - 0] |
| 1300110029 | 226020A01F650 | 65' 0" +24.50 - 0 [19.8M +622.3 - 0] |
| 1300110031 | 226020A01F750 | 75' 0" +24.50 - 0 [22.9M +622.3 - 0] |

NOTES:

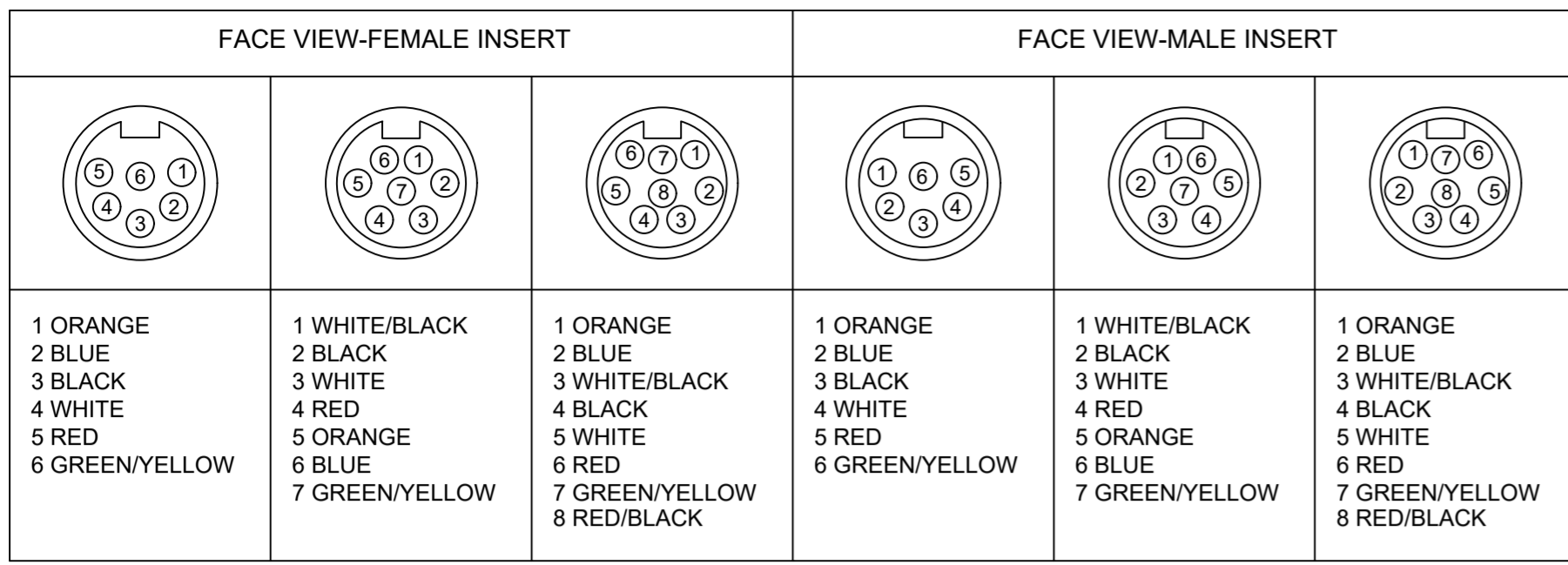
- MATERIAL: SEE TABLE
- FINISHES: SEE TABLE
- CABLE ASSEMBLIES ARE BAGGED SEPARATELY IN POLY BAGS WITH BARCODE LABEL ATTACHED TO OUTSIDE OF BAG
- WRAP LABEL IS MARKED WITH P/N, DATE CODE VOLTAGE & AMPERAGE
- MATES WITH: MINI CHANGE, C-SIZE 6 POLE RECEPTACLE
- ELECTRICAL SPECIFICATIONS:
VOLTAGE RATING: 600V
CURRENT RATING: 8 AMPS
- ASSEMBLY IS RoHS COMPLIANT

| S2 | | P1 |
|----|--------------|----|
| 1 | ORANGE | 1 |
| 2 | BLUE | 2 |
| 3 | BLACK | 3 |
| 4 | WHITE | 4 |
| 5 | RED | 5 |
| 6 | GREEN YELLOW | 6 |

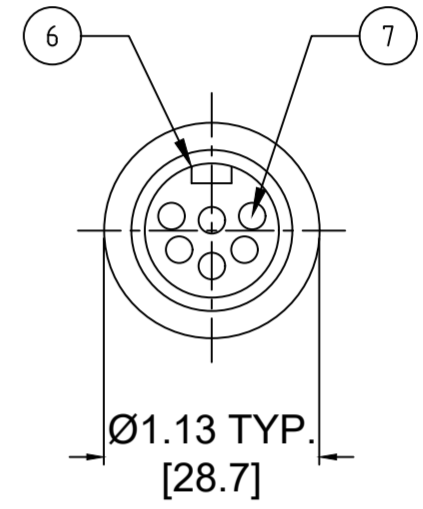
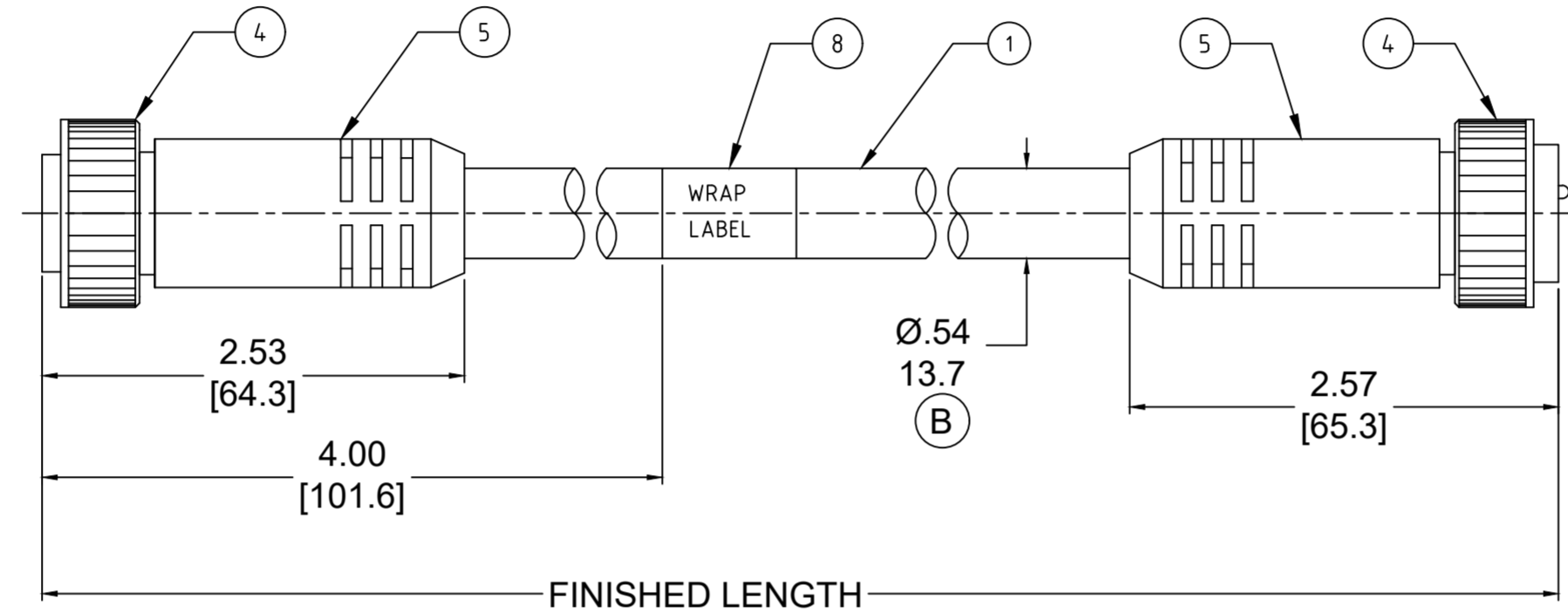
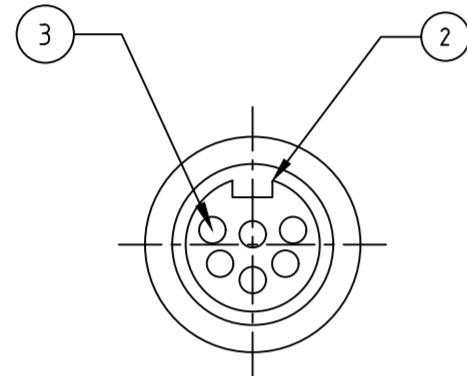
WIRING DIAGRAM

| ITEM | QTY. | DESCRIPTION | MATERIAL | FINISH |
|------|------|------------------------|-----------------|--------------|
| 10 | 1 | LABEL | PLASTIC FILM | BLACK/YELLOW |
| 9 | 6 | PIN CONTACT | BRASS | GOLD PLATED |
| 8 | 1 | INSERT, MALE, 6 POLE | PVC | YELLOW |
| 7 | 2 | OVERMOLD | PVC | YELLOW |
| 6 | 2 | COUPLING NUT | ZINC DIE CAST | BLACK |
| 5 | 2 | FRICITION RING | NYLON | NATURAL |
| 4 | 6 | SOCKET CONTACT | BRASS | GOLD PLATED |
| 3 | 6 | SOCKET SLEEVE | STAINLESS STEEL | |
| 2 | 1 | INSERT, FEMALE, 6 POLE | PVC | YELLOW |
| 1 | 1 | CABLE, 16-6 ST00W/ST | PVC JACKET | YELLOW |

| RELEASED EC NO: MNA2009-0627 DRAWN BY: DRWINRSTONE 2009/04/03 CHKD BY: WOODMAN APPR: J.MURPHY 2009/04/08 | DESCRIPTION REV | QUALITY SYMBOLS ▽=0 ▽=0 | GENERAL TOLERANCES (UNLESS SPECIFIED) <table border="1"> <tr> <th></th> <th>mm</th> <th>INCH</th> </tr> <tr> <td>4 PLACES ±</td> <td>---</td> <td>---</td> </tr> <tr> <td>3 PLACES ±</td> <td>---</td> <td>---</td> </tr> <tr> <td>2 PLACES ±</td> <td>---</td> <td>±.01</td> </tr> <tr> <td>1 PLACE ±</td> <td>0.3</td> <td>---</td> </tr> </table> | | mm | INCH | 4 PLACES ± | --- | --- | 3 PLACES ± | --- | --- | 2 PLACES ± | --- | ±.01 | 1 PLACE ± | 0.3 | --- | DIMENSION STYLE IN/MM | SCALE 1:1 | DESIGN UNITS INCH | THIRD ANGLE PROJECTION |
|---|--------------------|-------------------------------|---|------|----|------|------------|-----|-----|------------|-----|-----|------------|-----|------|-----------|-----|-----|--------------------------|--------------|----------------------|------------------------|
| | | | mm | INCH | | | | | | | | | | | | | | | | | | |
| | | 4 PLACES ± | --- | --- | | | | | | | | | | | | | | | | | | |
| | | 3 PLACES ± | --- | --- | | | | | | | | | | | | | | | | | | |
| 2 PLACES ± | --- | ±.01 | | | | | | | | | | | | | | | | | | | | |
| 1 PLACE ± | 0.3 | --- | | | | | | | | | | | | | | | | | | | | |
| DRAWN BY: R. STONE DATE: 2009/04/02 CHECKED BY: B. WOODMAN DATE: 2009/04/03 APPROVED BY: J. MURPHY DATE: 2008/04/06 | | | TITLE MINI-CHANGE CORD ASSY MALE/FEMALE, B-SIZE 6 POLE | | | | | | | | | | | | | | | | | | | |
| MATERIAL NO. SEE CHART | | | MOLEX INCORPORATED DOCUMENT NO. SD-130011-001 | | | | | | | | | | | | | | | | | | | |
| DRAFT WHERE APPLICABLE MUST REMAIN WITHIN DIMENSIONS | | | SHEET NO. 1 OF 1 | | | | | | | | | | | | | | | | | | | |



| PART NO | ENGINEERING NO. | FINISHED LENGTH |
|------------|-----------------|---------------------|
| 1300110008 | 226020A01F030 | 3FT [0.9M] |
| 1300110082 | 227020A01M300 | 30M [98FT 5 IN] |
| 1300110158 | 228020A01M600 | 60M [196FT 10 IN] |



- NOTES:
- MATERIAL: AS NOTED
 - FINISH: AS NOTED
 - ELECTRICAL:
6 POLE: VOLTAGE: 400V PER IEC60664
600V PER UL2238
CURRENT: 8A
7 POLE: VOLTAGE: 320V PER IEC60664
600V PER UL2238
CURRENT: 8A
8 POLE: VOLTAGE: 320V PER IEC60664
600V PER UL2238
CURRENT: 7A
 - TEMP RATING: -20°TO +105°C
 - PROTECTION: IP67 (WHEN MATED)
 - COUPLING THREAD: 1"-16 UN
 - UL RECOGNIZED FILE: E152210
CSA CERTIFIED FILE: LR6837 (B)
 - ALL DIMENSIONS ARE FOR REFERENCE UNLESS TOLERANCED OR NOTED OTHERWISE

PART NO. MATRIX
227020A01M010

POLES (6,7,8) FINISHED LENGTH:
M005= 0.5 METER
M010= 1 METER
M100= 10 METER

F010= 1 FOOT
F100= 10 FEET

CABLE LENGTH TOLERANCES

| | |
|--------------------------|-------------------------|
| >.3M [1FT]: | +19mm-0 [+.75in-0] |
| .3 - .9M [1 - 3FT]: | +44.5mm-0 [+1.75in-0] |
| .9 - 1.8M [3 - 6FT]: | +55.6mm-0 [+2.19in-0] |
| 1.8 - 3.7M [6 - 12FT]: | +88.9mm-0 [+3.50in-0] |
| 3.7 - 7.3M [12 - 24FT]: | +165.1mm-0 [+6.50in-0] |
| 7.3-14.6M [24 - 48FT]: | +317.5mm-0 [+12.50in-0] |
| 14.6 - 30.5M [48-100FT]: | +622.3mm-0 [+24.50in-0] |
| OVER 30M [100FT] | +2% OF FINISHED LENGTH |

| | | | |
|------|-------------------------|---------------|--------------|
| 8 | WRAP LABEL | VINYL | BLACK/YELLOW |
| 7 | CONTACT PIN | COPPER ALLOY | GOLD PLATED |
| 6 | MALE INSERT | TPE | YELLOW |
| 5 | OVERMOLD | TPE | YELLOW |
| 4 | COUPLING | ZINC DIE-CAST | BLACK |
| 3 | CONTACT SOCKET | COPPER ALLOY | GOLD PLATED |
| 2 | FEMALE INSERT | TPE | YELLOW |
| 1 | CABLE, 16AWG, TPE,STOOW | PVC JACKET | YELLOW |
| ITEM | DESCRIPTION | MATERIAL | FINISH |

| | | | | |
|--|---|------------------------|---|----------------------------|
| FUNCTIONAL SYMBOLS FA=0 FC=0 FP=0 | THIS DRAWING CONTAINS INFORMATION THAT IS PROPRIETARY TO MOLEX ELECTRONIC TECHNOLOGIES, LLC AND SHOULD NOT BE USED WITHOUT WRITTEN PERMISSION | | CURRENT REV DESC: ITEM# 2, 5 & 6 WERE PVC. ADDED "CSA" IN NOTES. ADDED CABLE DIA. MODIFIED MATERIAL TABLE | |
| | DIMENSION UNITS | SCALE | EC NO: 643513 | |
| | INCH/MM | NTS | DRWN: ABENJAMINLW | 2020/07/29 |
| | GENERAL TOLERANCES (UNLESS SPECIFIED) | | CHK'D: RSTONE | 2020/08/28 |
| DIVISIONAL SYMBOLS | 4 PLACES | ±---- | APPR: BWOODMAN | 2020/09/15 |
| | 3 PLACES | ±---- | INITIAL REVISION: | |
| | 2 PLACES | ±---- | DRWN: RSTONE | 2016/11/30 |
| | 1 PLACE | ±---- | APPR: BWOODMAN | 2016/12/20 |
| 0 PLACES | ±---- | ANGULAR TOL ± 0.5 ° | | |
| DRAFT WHERE APPLICABLE MUST REMAIN WITHIN DIMENSIONS | | THIRD ANGLE PROJECTION | DRAWING | SERIES |
| | | | C-SIZE | 139990 |
| | | MATERIAL NUMBER | | CUSTOMER |
| | | SEE CHART | | GENERAL MARKET |
| | | DOCUMENT NUMBER | | DOC TYPE/DOC PART/REVISION |
| | | SD-130011-006 | | PSD 001 B |
| | | SHEET NUMBER | | 1 OF 1 |