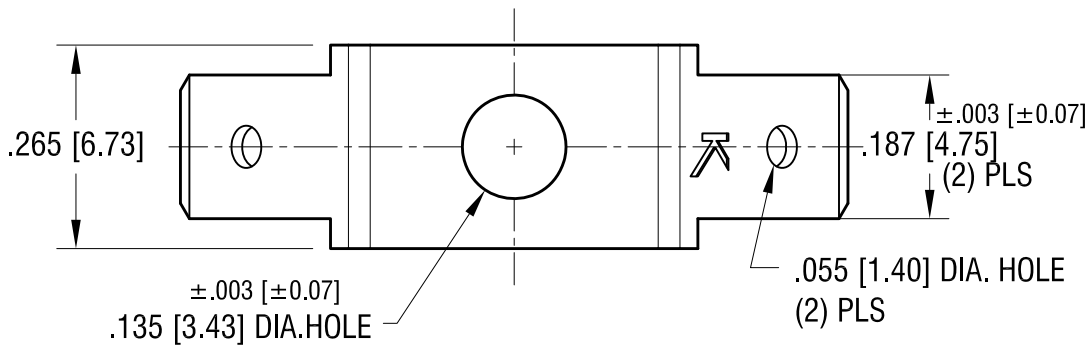
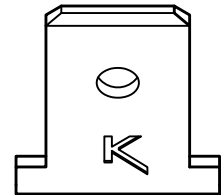
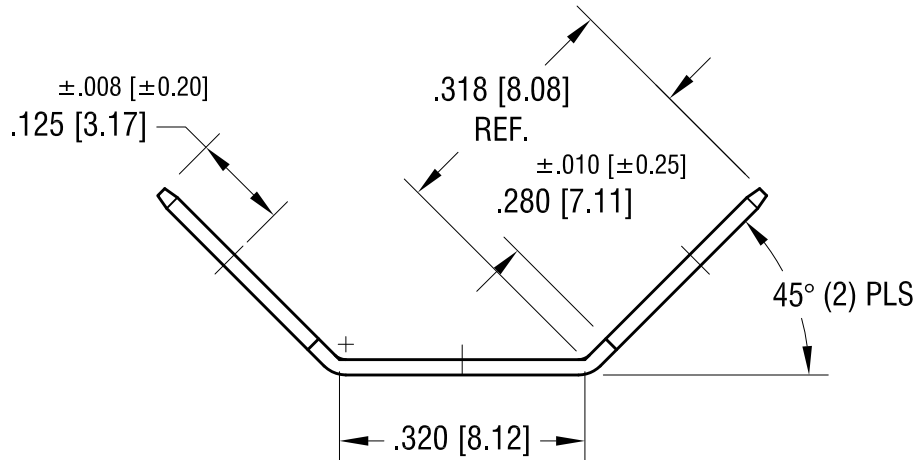
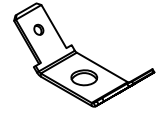


THIS DOCUMENT IS THE PROPERTY OF
KEYSTONE ELECTRONICS CORP. AND
SHALL NOT BE REPRODUCED, DISTRIBUTED
OR USED AS A BASIS FOR MANUFACTURE
WITHOUT PRIOR WRITTEN PERMISSION
FROM KEYSTONE ELECTRONICS CORP.

ACTUAL SIZE



KEY FILE NUMBER: E201546

KEYSTONE ELECTRONICS CORP.

www.keyelco.com • ASTORIA, N.Y. 11105-2017 • Tel (718) 956-8900

| | | | |
|----------------------------|-----------------|-------------------------|--------|
| PART NAME | | .187 QUICK-FIT TERMINAL | |
| MATERIAL | | .020 [0.50] TH'K BRASS | |
| FINISH | | DRN BY | DATE |
| BRIGHT BRASS | | BOONE | 5.4.82 |
| TOLERANCES | | APP'D | SCALE |
| INCH | [MM] | MR | 5X |
| DECIMAL | ± .005 [± 0.15] | DWG NO. | |
| ANGULAR | ± 1° | 1263 | |
| UNLESS OTHERWISE SPECIFIED | | C | |

| | | |
|---------|--------------------------|------|
| 8.21.12 | CHANGE AS PER ECN 12-110 | B |
| 2.3.04 | CHANGE AS PER ECN 04-009 | A |
| DATE | DESCRIPTION | REV. |