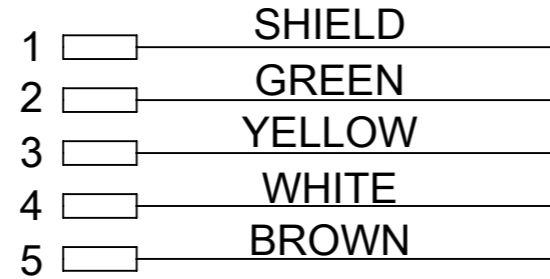


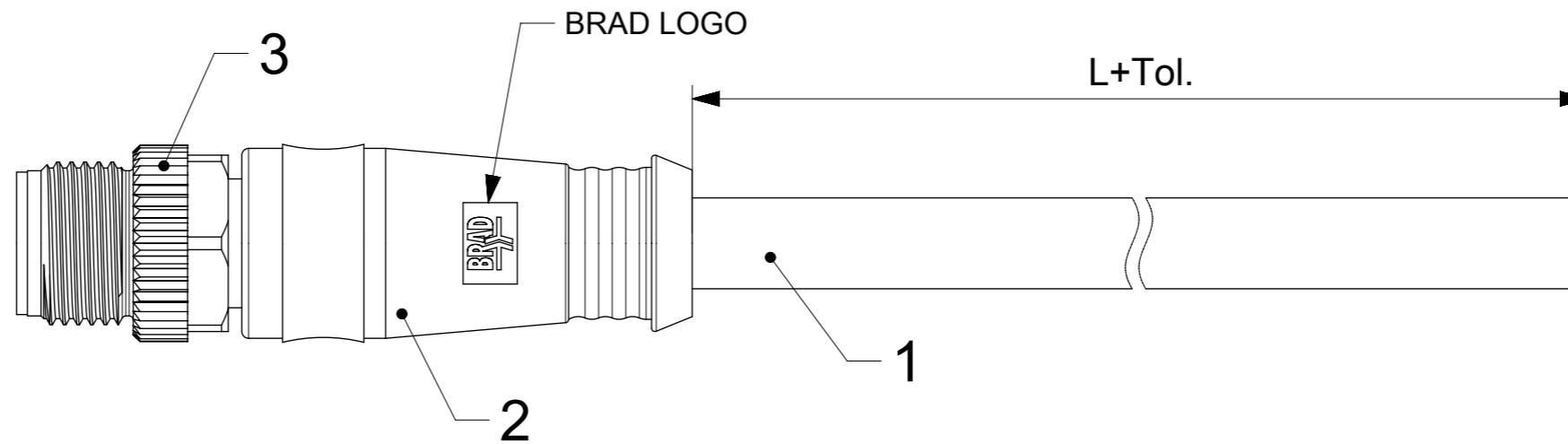
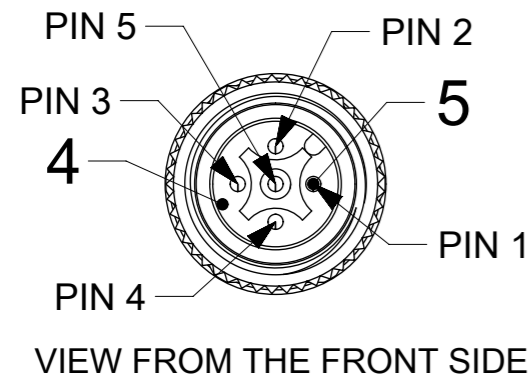
CABLE SPECIFICATION:

CONDUCTOR:  
 MATERIAL: TIN COPPER  
 STRANDING: 19x0.19mm n°xmm  
 INSULATION COMPOUND: XLPE  
 INSULATION DIAMETER:  
 1.6mm YELLOW & GREEN  
 2.5mm BROWN & WHITE  
 OUTER JACKET:  
 COMPOUND: PUR  
 COLOR: VIOLET SIMILAR TO RAL 4001  
 DIAMETER: 6.7±0.3mm  
 TEMPERATURE RANGE:  
 STATIC: -50°C TO +80°C  
 FLEXING: -40°C TO +90°C  
 VOLTAGE RATING: 300V

WIRING DIAGRAM



REVISION A TRANSFERRED TO ECTR / ADDED NEW PN



BILL OF MATERIAL

| ITEM | QTY. | DESCRIPTION               | MATERIAL | FINISH              |
|------|------|---------------------------|----------|---------------------|
| 5    | 5    | CONTACT MA                | COPPER   | GOLD OVER Ni-PLATED |
| 4    | 1    | INSERT M12 MA AC 5P BK    | PUR      | -                   |
| 3    | 1    | COUPLING NUT M12 MA       | BRASS    | Ni-PLATED           |
| 2    | -    | OVERMOULD BK              | TPU      | -                   |
| 1    | -    | CABLE 2x0.50 CB+2x0.50 VT | PUR      | -                   |

TABLE 1

| MOLEX PN   | ENGINEERING No | L+Tol. [mm]   |
|------------|----------------|---------------|
| 1200659620 | BG20970-M006   | 600 +45/-0    |
| 1200659580 | BG20970-M030   | 3000 +89/-0   |
| 1200659581 | BG20970-M050   | 5000 +165/-0  |
| 1200659582 | BG20970-M100   | 1000 +317/-0  |
| 1200659988 | BG20970-M150   | 15000 +610/-0 |

THIS DRAWING CONTAINS INFORMATION THAT IS PROPRIETARY TO MOLEX ELECTRONIC TECHNOLOGIES, LLC AND SHOULD NOT BE USED WITHOUT WRITTEN PERMISSION

|   |            |            |  |                 |                        |  |                        |          |              |
|---|------------|------------|--|-----------------|------------------------|--|------------------------|----------|--------------|
| EC NO: 110747<br>DRWN: AKONDRACIUK<br>CHK'D: MIWASIECZKO<br>APPR: MIWASIECZKO | 2016/11/22 | 2016/11/24 | GENERAL TOLERANCES (UNLESS SPECIFIED)                | DIMENSION UNITS | SCALE                  | <p>CSE M12 5P AC MA STR CAN XM</p> <p>PRODUCT CUSTOMER DRAWING</p> |                        |          |              |
|   |            |            | ANGULAR TOL ± °                                      | MM              | 2:1                    |  |                        |          |              |
|   |            |            | 4 PLACES ±   | DRWN BY         | DATE                   |  | AKONDRACIUK 2016/11/22 |          |              |
|   |            |            | 3 PLACES ±   | CHK'D BY        | DATE                   |  |                        |          |              |
|   |            | 2 PLACES ± | APPR BY  | DATE            | MIWASIECZKO 2016/11/24 | SERIES   | MATERIAL NUMBER        | CUSTOMER |              |
|   |            | 1 PLACE ±  |  |                 |                        | 120065   | SEE TABLE 1            |          |              |
|   |            | 0 PLACES ± | DRAFT WHERE APPLICABLE MUST REMAIN WITHIN DIMENSIONS | DRAWING SIZE    | THIRD ANGLE PROJECTION | DOCUMENT NUMBER  | DOC TYPE               | DOC PART | SHEET NUMBER |
|   |            |            |  | A3              |                        | 1200659620   | PSD                    | 00P      | 1 OF 1       |