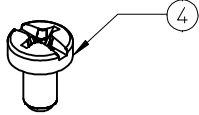
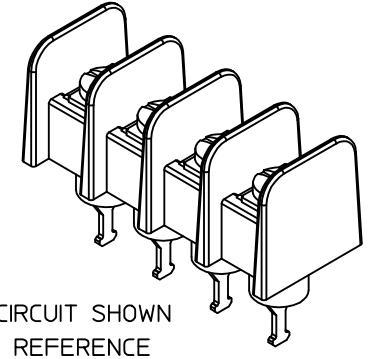
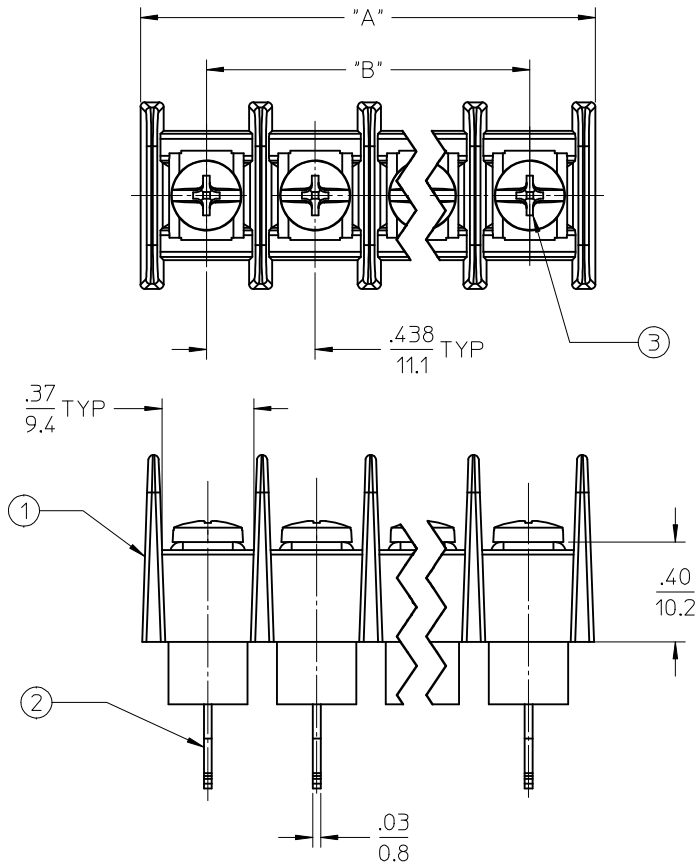
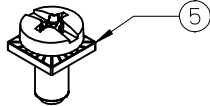


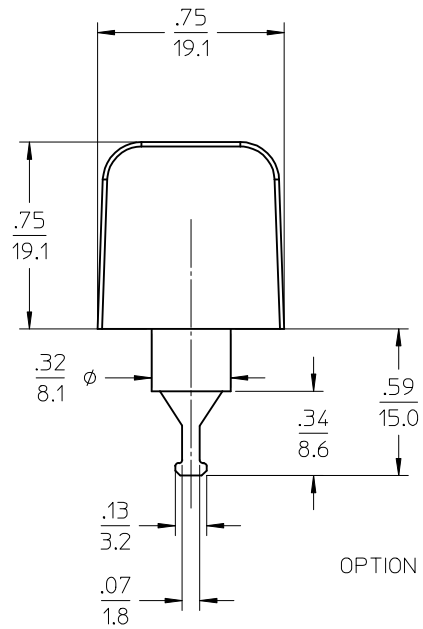
REF. -49 OPT. SCREW  
(WHERE APPLICABLE)



REF. -50 OPT. SCREW  
(WHERE APPLICABLE)



4 CIRCUIT SHOWN  
AS REFERENCE



PART NUMBER LEGEND

73-2-XX-XX

SERIES  
TERMINAL STYLE  
CIRCUIT QTY (2 TO 30)  
OPTION (-49 BRASS,PHIL/SLOT SCREW)  
(-50 CLAMP WASHER,PHIL/SLOT SCREW)  
(-C NO MOUNTING ENDS)

- NOTES:
1. MATERIAL: SEE TABLE.
  2. FINISHES: SEE TABLE.
  3. PRODUCT SPECIFICATION: PS-38730-001.
  4. "XX" REFERS TO THE QTY OF CIRCUITS.
  5. ASSEMBLY IS RoHS COMPLIANT.

ITEM	QTY.	DESCRIPTION	MATERIAL	FINISH
5	XX	SCREW #6-32X.250 PAN PHS LZN/BR/STEEL -50	STEEL	ZINC
4	XX	SCREW #6-32X.250 BHD PHS LN/BRASS LUBE -49	BRASS	NICKEL
3	XX	SCREW #6-32X.250 BHD PHS LZN/STEEL LUBE	STEEL	ZINC
2	XX	TERM TURRET 6C SN/B	BRASS	TIN
1	1	SR BTS INSUL MO C	POLYESTER (PBT)	BLACK

<p>RELEASED EC NO: IPG2016-0008 DRAWN: SVMURTHY 2015/07/08 CHKD: RSTONE 2015/07/08 APPR: JFMURPHY 2016/07/11</p>	<p>DESCRIPTION</p>	<p>QUALITY SYMBOLS</p> <p>▽/0</p> <p>▽/0</p> <p>▽/0</p>	<p>GENERAL TOLERANCES (UNLESS SPECIFIED)</p> <table border="1"> <thead> <tr> <th></th> <th>mm</th> <th>INCH</th> </tr> </thead> <tbody> <tr> <td>4 PLACES</td> <td>± ---</td> <td>± ---</td> </tr> <tr> <td>3 PLACES</td> <td>± ---</td> <td>± .005</td> </tr> <tr> <td>2 PLACES</td> <td>± 0.13</td> <td>± .01</td> </tr> <tr> <td>1 PLACE</td> <td>± 0.3</td> <td>± ---</td> </tr> <tr> <td>0 PLACE</td> <td>± ---</td> <td>± ---</td> </tr> </tbody> </table>		mm	INCH	4 PLACES	± ---	± ---	3 PLACES	± ---	± .005	2 PLACES	± 0.13	± .01	1 PLACE	± 0.3	± ---	0 PLACE	± ---	± ---	<p>DIMENSION STYLE</p> <p>IN/MM</p>	<p>SCALE</p> <p>2:1</p>	<p>DESIGN UNITS</p> <p>INCH</p>	<p>THIRD ANGLE PROJECTION</p>
			mm	INCH																					
4 PLACES	± ---	± ---																							
3 PLACES	± ---	± .005																							
2 PLACES	± 0.13	± .01																							
1 PLACE	± 0.3	± ---																							
0 PLACE	± ---	± ---																							
<p>RELEASED EC NO: IPG2016-0008 DRAWN: SVMURTHY 2015/07/08 CHKD: RSTONE 2015/07/08 APPR: JFMURPHY 2016/07/11</p>		<p>QUALITY SYMBOLS</p> <p>▽/0</p> <p>▽/0</p> <p>▽/0</p>		<p>DIMENSION STYLE</p> <p>IN/MM</p>		<p>SCALE</p> <p>2:1</p>		<p>DESIGN UNITS</p> <p>INCH</p>		<p>THIRD ANGLE PROJECTION</p>															
<p>11.13MM [.438"] SR BTS ASSY, INSULATED TURRET TERM, NO MTG ENDS</p>			<p>DRAWN BY DATE</p> <p>SVMURTHY 2015/07/08</p>		<p>CHECKED BY DATE</p> <p>RSTONE 2015/07/08</p>		<p>APPROVED BY DATE</p> <p>JFMURPHY 2016/07/11</p>		<p>TITLE</p>																
<p>ANGULAR ± 2° DRAFT WHERE APPLICABLE MUST REMAIN WITHIN DIMENSIONS</p>			<p>MATERIAL NO.</p> <p>SEE SHEET 2</p>		<p>DOCUMENT NO.</p> <p>SD-38730-3302</p>		<p>SHEET NO.</p> <p>1 OF 2</p>		<p>THIS DRAWING CONTAINS INFORMATION THAT IS PROPRIETARY TO MOLEX INCORPORATED AND SHOULD NOT BE USED WITHOUT WRITTEN PERMISSION</p>																

# OF CIRCUITS "XX"	DIM. "A"		DIM. "B"	
	in	mm	in	mm
02	.97	25	.438	11.13
03	1.40	36	.876	22.24
04	1.84	47	1.313	33.35
05	2.28	58	1.751	44.46
06	2.72	69	2.188	55.58
07	3.15	80	2.626	66.69
08	3.59	91	3.063	77.80
09	4.03	102	3.501	89.91
10	4.47	113	3.938	100.03
11	4.90	125	4.376	111.14
12	5.34	136	4.813	122.25
13	5.78	147	5.251	133.36
14	6.22	158	5.688	144.48
15	6.65	169	6.126	155.59
16	7.09	180	6.563	166.70
17	7.53	191	7.001	177.81
18	7.97	202	7.438	188.93
19	8.40	213	7.876	200.04
20	8.84	225	8.313	211.15
21	9.28	236	8.751	222.26
22	9.72	247	9.188	233.38
23	10.15	258	9.626	244.49
24	10.59	269	10.063	255.60
25	11.03	280	10.501	266.71
26	11.47	291	10.938	277.83
27	11.90	302	11.376	288.94
28	12.34	313	11.813	300.05
29	12.78	325	12.251	311.16
30	13.22	336	12.688	322.28

RELEASED EC NO: ICG2016-0008 DRAWN: SVMURTHY 2015/07/08 CHKD: RSTONE 2015/07/08 APPR: JFMURPHY 2016/07/11	DESCRIPTION REV	QUALITY SYMBOLS	GENERAL TOLERANCES (UNLESS SPECIFIED)	DIMENSION STYLE	SCALE	DESIGN UNITS	THIRD ANGLE PROJECTION
		$\nabla = 0$ $\nabla = 0$ $\nabla = 0$	mm INCH 4 PLACES ± --- ± --- 3 PLACES ± --- ± .005 2 PLACES ± 0.13 ± .01 1 PLACE ± 0.3 ± --- 0 PLACE ± --- ± ---	IN/MM	2:1	INCH	TITLE 11.13MM [.438"] SR BTS ASSY, INSULATED TURRET TERM, NO MTG ENDS <b>molex</b> MATERIAL NO. 387303302 DOCUMENT NO. SD-38730-3302 SHEET NO. 2 OF 2
		DRAWN BY DATE SVMURTHY 2015/07/08 CHECKED BY DATE RSTONE 2015/07/08 APPROVED BY DATE JFMURPHY 2016/07/11	ANGULAR ± 2 ° DRAFT WHERE APPLICABLE MUST REMAIN WITHIN DIMENSIONS	THIS DRAWING CONTAINS INFORMATION THAT IS PROPRIETARY TO MOLEX INCORPORATED AND SHOULD NOT BE USED WITHOUT WRITTEN PERMISSION			