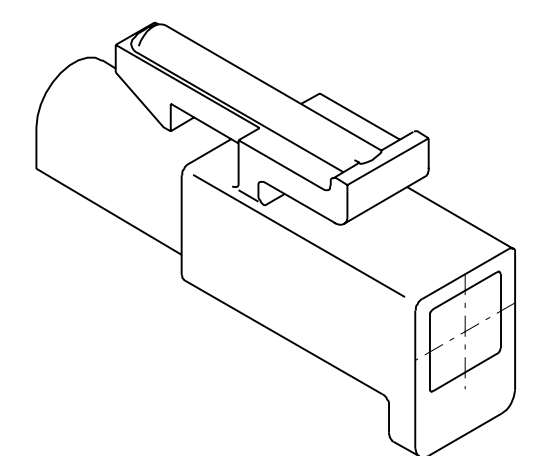
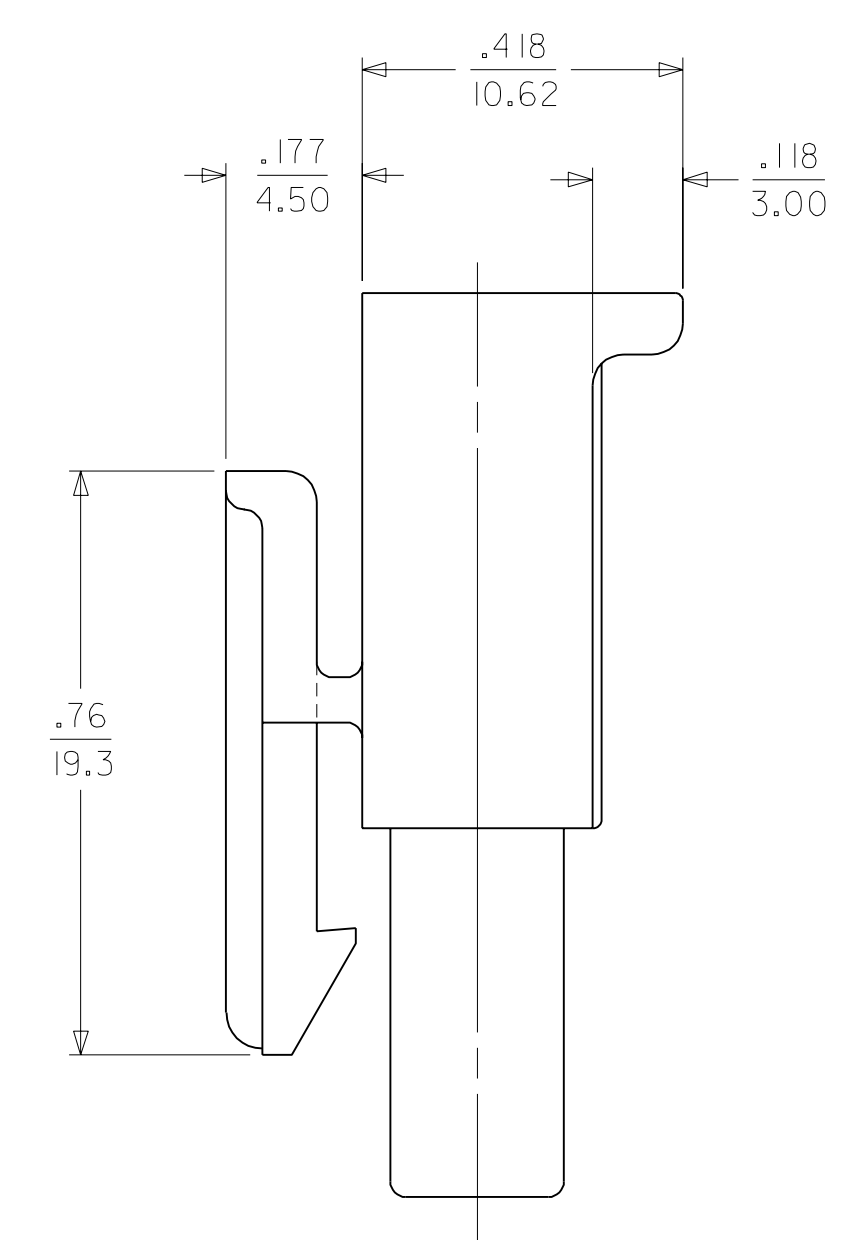
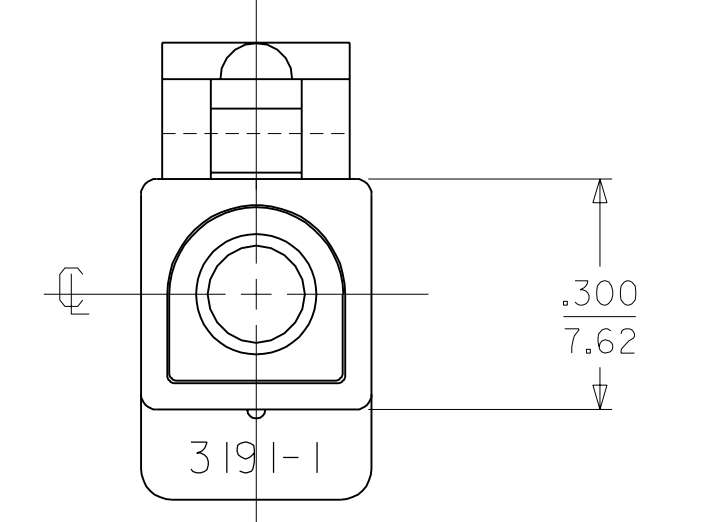
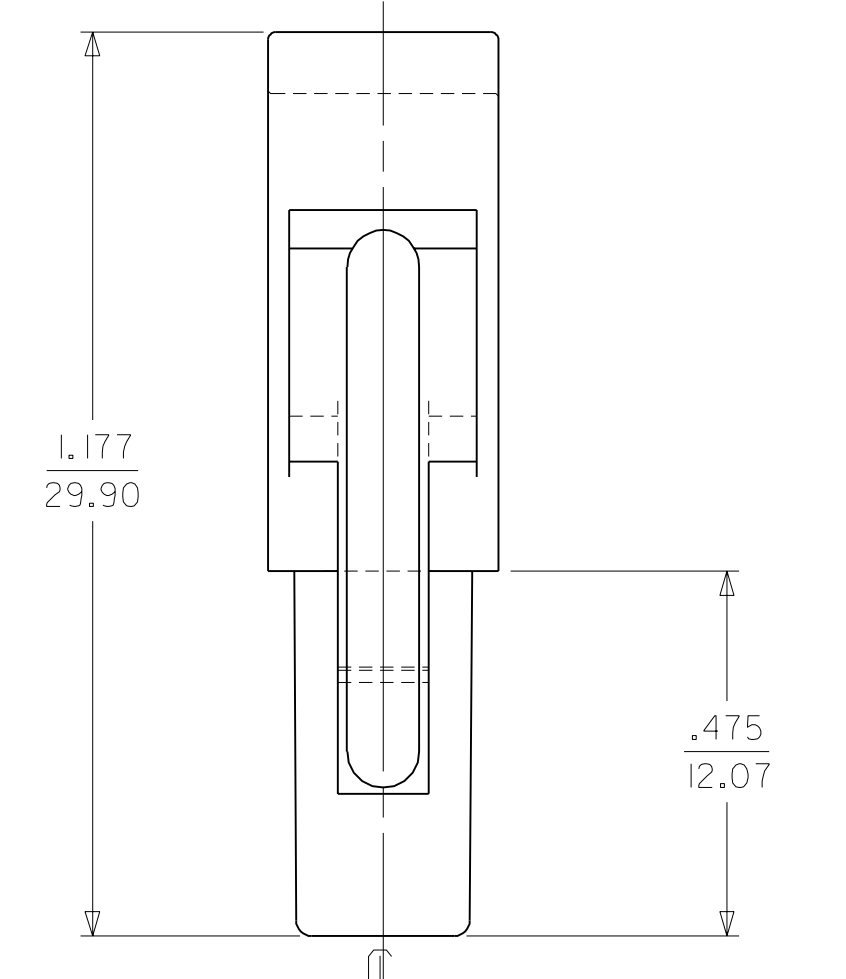
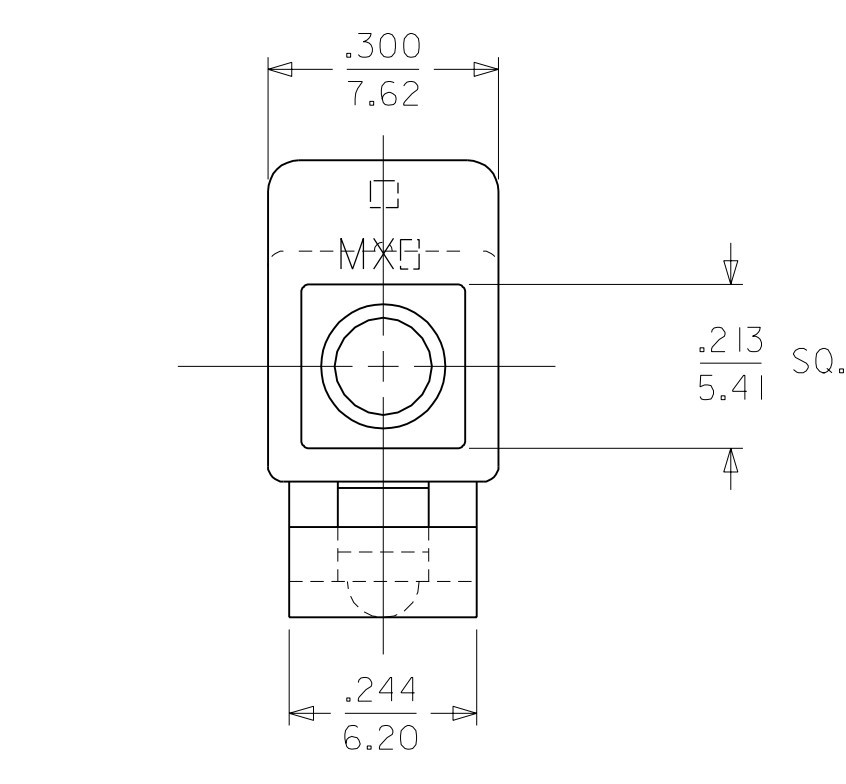


PLUG



RECEPTACLE

OBSOLETE 3191-1 IRD EC NO. JUCP2004-0423 DRWN: ELHAG 09/03/03 CHK: ELHAG 09/03/03 APPR: F SMITH 09/10/03	QUALITY SYMBOLS	GENERAL TOLERANCES: (UNLESS SPECIFIED)	SCALE 4 : 1	DESIGN UNITS <input type="checkbox"/> mm <input checked="" type="checkbox"/> INCH	THIRD ANGLE PROJECTION	DIMENSIONS: <input type="checkbox"/> mm <input checked="" type="checkbox"/> INCH <input type="checkbox"/> mm ONLY	2 E 1 E SHT REV REVISE ON CAD ONLY
	MAJOR = 0	4 PLACES ±0.--- ±.---	DRAWN BY & DATE JBS 06/10/03	TITLE: .093/(2.36) HOUSING, PLUG AND RECEPTACLE, 1 - CIRCUIT			
	CRITICAL C = 0	3 PLACES ±0. ±.010	CHECKED BY & DATE BW 06/13/03	MOLEX INCORPORATED			
		2 PLACES ±0.25 ±.014	APPROVED BY & DATE BW 06/16/03	CAD FILENAME SD-3191-1.DGN	MATERIAL NO. SEE CHART	DRAWING NO. SD-3191-1*	SHEET NO. 1 of 2
		1 PLACE ±0.36 ±.	ANGULAR: ± 1°	THIS DRAWING CONTAINS INFORMATION THAT IS PROPRIETARY TO MOLEX INCORPORATED AND SHOULD NOT BE USED WITHOUT WRITTEN PERMISSION.			
REV	DESCRIPTION	DRAFT WHERE APPLICABLE MUST REMAIN WITHIN DIMENSIONS		SIZE C			

PLUG		RECEPTACLE		
PART NO.	ENG. NO.	PART NO.	ENG. NO.	
19-09-2018	3191-IP	19-09-1019	3191-IR1	
19-09-2019	3191-IP1	19-09-1016	3191-IR1-201	
19-09-2017	3191-IP-201	19-09-6010	3191-IR1RD	OBSOLETE
19-09-2016	3191-IP1-201	19-09-6011	3191-IR1BU	
19-09-2015	3191-IPRD			

LEGEND

3191-1****-*

CIRCUIT SIZE

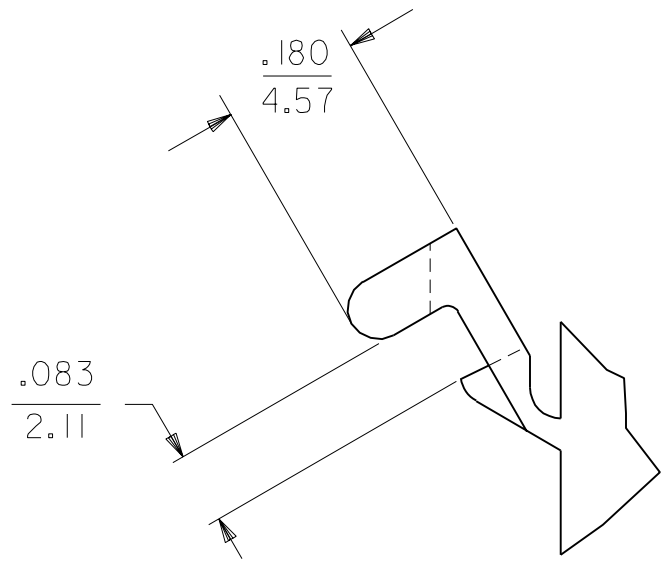
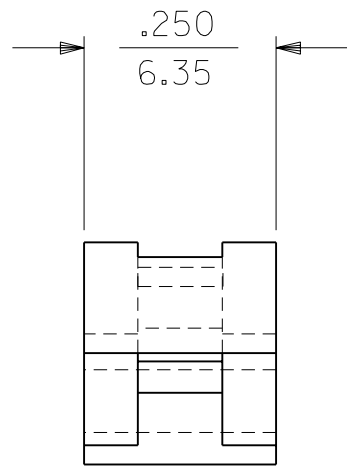
P = PLUG
R = RECEPTACLE

EARS: BLANK = WITH PREBENT EARS (PLUG ONLY)
I = WITHOUT EARS

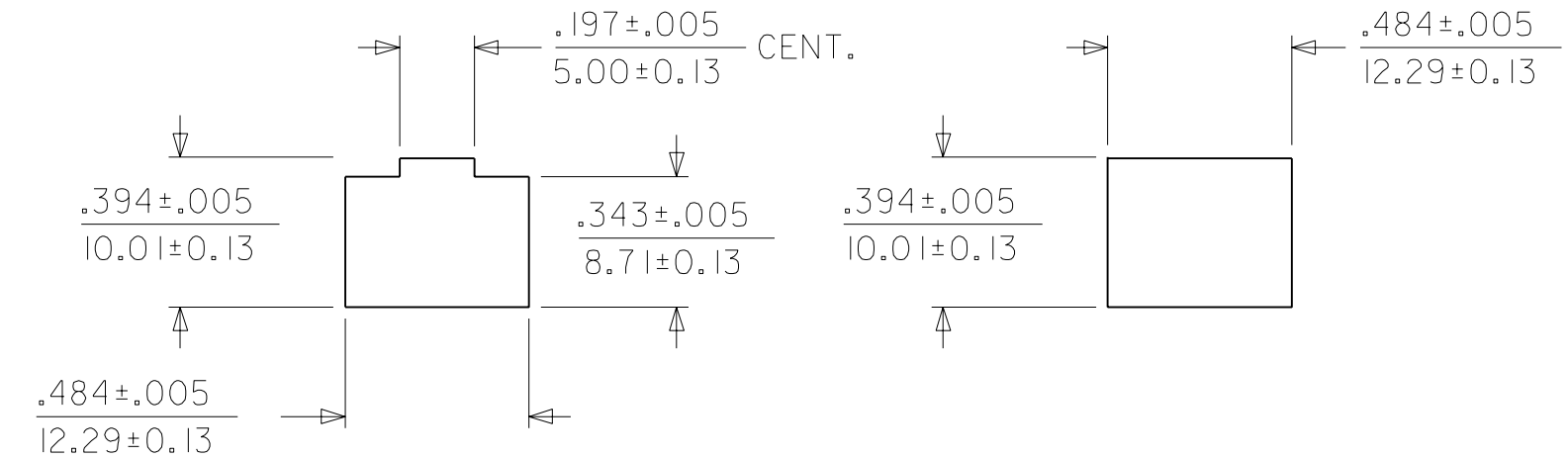
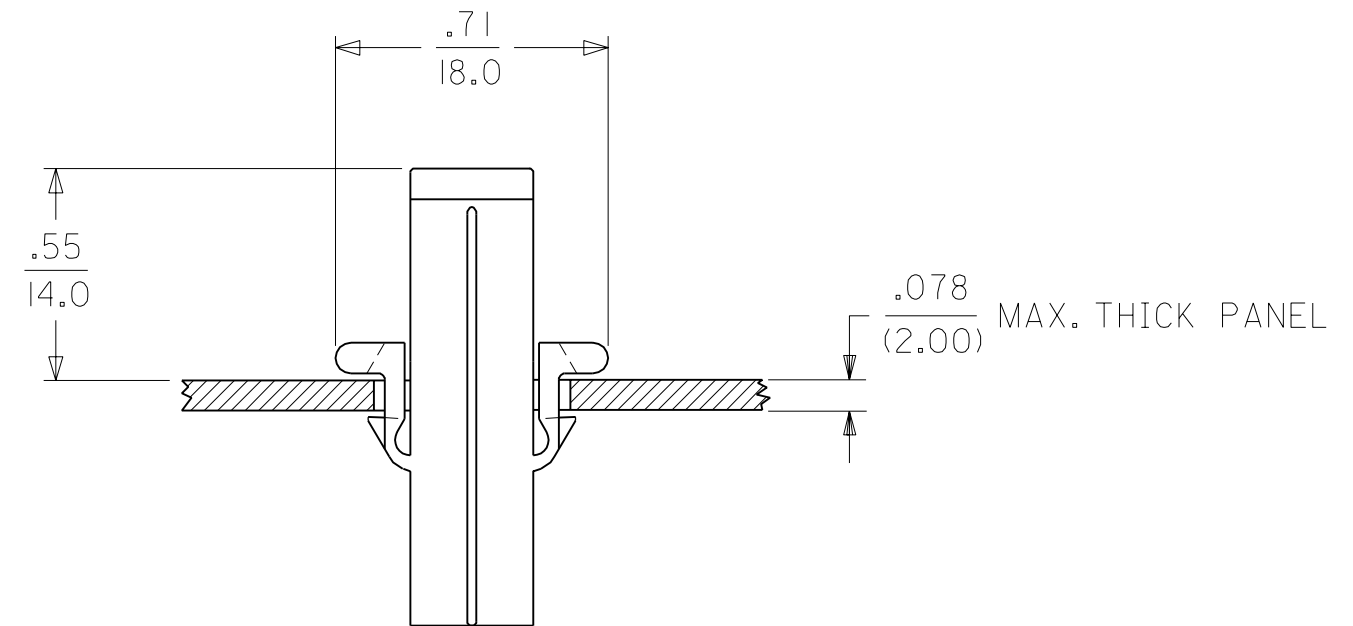
COLOR: BLANK = NATURAL COLOR

AM=AMBER BK=BLACK BU=BLUE
BN=BROWN GY=GRAY GN=GREEN
OR=ORANGE RD=RED YW=YELLOW

MATERIAL: PER NOTE 1.



DETAIL "A"
PREBENT MOUNTING EAR
(SCALE 4:1)



NOTES:

- MATERIAL:
"BLANK" - NYLON TYPE 6/6, 94V-2. COLOR: NATURAL.
201 - NYLON TYPE 6/6, 94V-0. COLOR: WHITE.
- FINISH: NONE.

DIMENSIONS SHOWN (METRIC) INCH
UNLESS OTHERWISE SPECIFIED TOLERANCES: ANGULAR ± 10°

	INCH	METRIC
3 PLACE	± .010	---
2 PLACE	± .014	± 0.25
1 PLACE	---	± 0.36

TITLE
**.093/(2.36) HOUSINGS
PLUG AND RECEPTACLE
1 CIRCUIT**

MOLEX INCORPORATED
LITSE, ILL. 60532 U.S.A.

SHEET NO. 2 DATE 06/10/03

DRWG. BY JBS
CHK'D. BY BW

SEE CHART SD-3191-1*

APP'D. BY BW
SCALE ---:---

THIS DRAWING CONTAINS INFORMATION THAT IS PROPRIETARY TO MOLEX INC. AND SHOULD NOT BE USED WITHOUT WRITTEN PERMISSION.

LTR.	REVISIONS	LTR.	REVISIONS
		E	SEE SHEET 1
		D4	SEE SHEET 1