

Characteristics:

Low Voltage DC Motors

**Specifications:**

Dimensions (in)	: Ø 0.8 X 0.6 X 1.0 in
Shaft Diameter (in)	: Ø 0.079 in
Input Voltage (V)	: 9.0 V DC
No Load Speed (rpm)	: 24972 rpm
No Load Current (A)	: 0.20 A
Nominal Speed (rpm)	: 19467 rpm
Nominal Torque (lb.in)	: 0.01 lb.in
Nominal Current (A)	: 0.71 A
Stall Torque (lb.in)	: 0.06 lb.in
Stall Current (A)	: 2.52 A
Maximum Output Power (hp)	: 0.01 hp
Maximum Efficiency (%)	: 45.93 %
Torque (lb.in) - Max Eff	: 0.01 lb.in
Speed (rpm) - Max Eff	: 19467 rpm
Operating Temperature Range (°F)	: 14 to 131 °F
Storage Temperature Range (°F)	: -4 to 176 °F
Electrical Connection	: Terminals

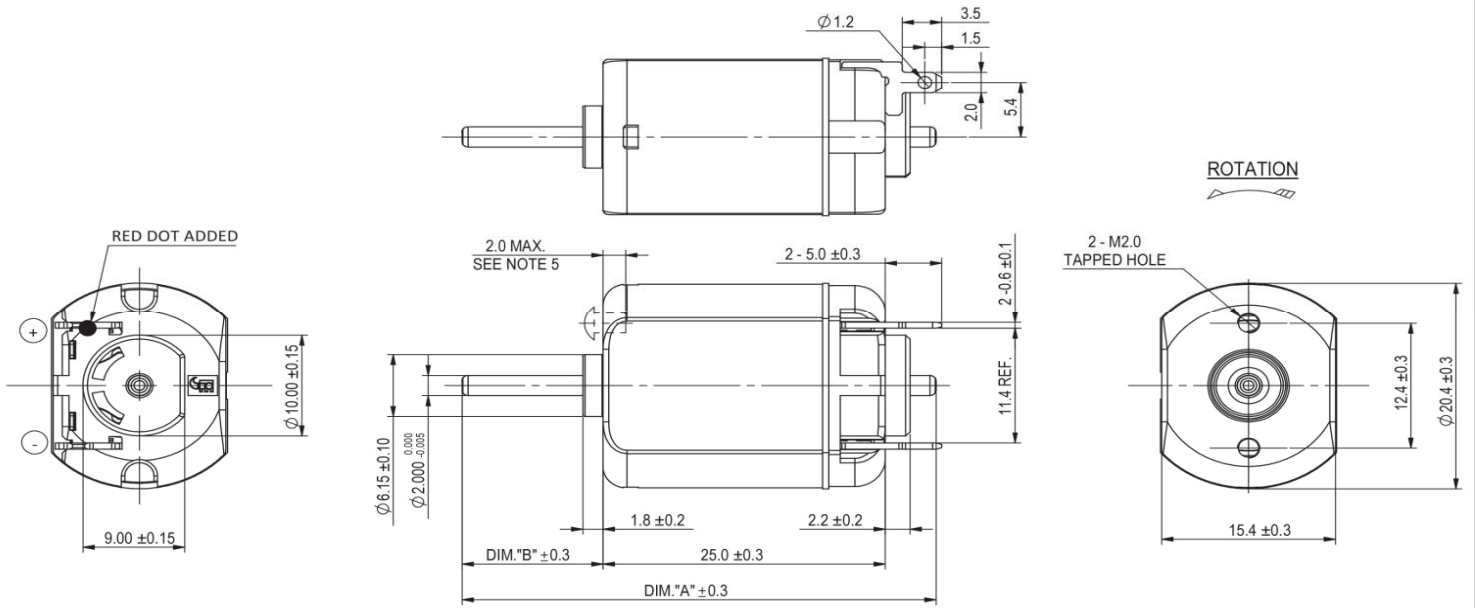
Performance Data:

	No Load	Stall	Max Efficiency	Max Power
Current (A)	0.20	2.52	0.71	1.36
Efficiency (%)	-	-	45.93	41.50
Output Power (hp)	-	-	0.00	0.01
Speed (rpm)	24972.00	-	19467.00	12486.00
Torque (lb.in)	-	0.06	0.01	0.03

Application Examples:

Hair Curlers

Drawing:



Performance Curves:

