

Amphenol East Asia Electronic Technology (Shenzhen) Cor. Ltd  
Block A3/4, the 4<sup>th</sup> Industrial District, Industrial Headquarter, Dong Keng Road, Gong Ming  
Town, Shen Zhen City, 518132 China  
Tel: +86 755 2717 7945

March 14, 2018

## Product Change Notice on L717HDE15PD4CH4R

Dear valued customers,

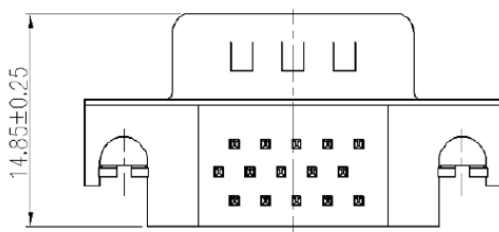
This is to kindly inform you that the overall width of L717HDE15PD4CH4R has changed from 14.85mm $\pm$ 0.25 to 15.00mm $\pm$ 0.38 due to old inject mold wore out and new injection mold used. This spec change will be immediately executed and it should be applicable for your orders with your advance approval.

You can refer to the family drawing attached and find that the spec also changed to the parts like L717HDE15PD4CH4F, L717HDE15PD4CH3R, L717HDE15PD4CH3F and L717HDE15PD4CH which were released to customer drawings but not in mass production without sales, for your information only.

The figures show the spec change as follows.

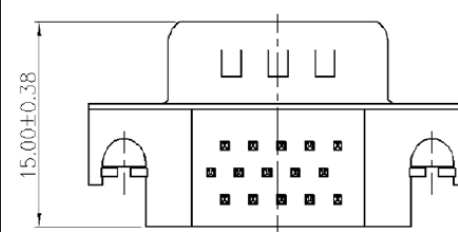
### Before Change:

Body height:



### After Change:

Body height:



Yours sincerely,

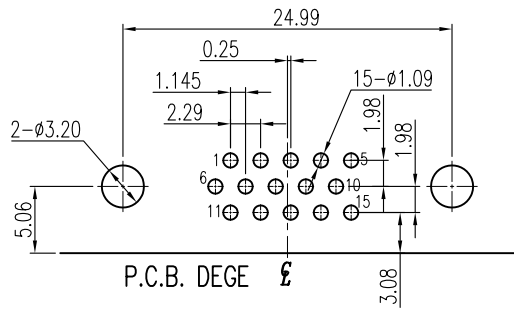
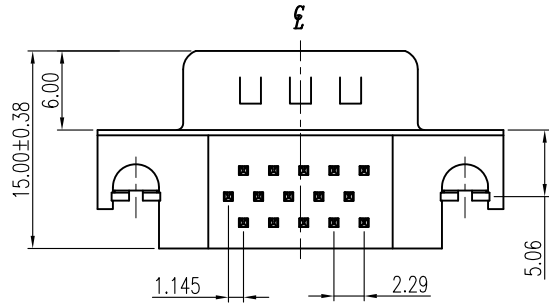
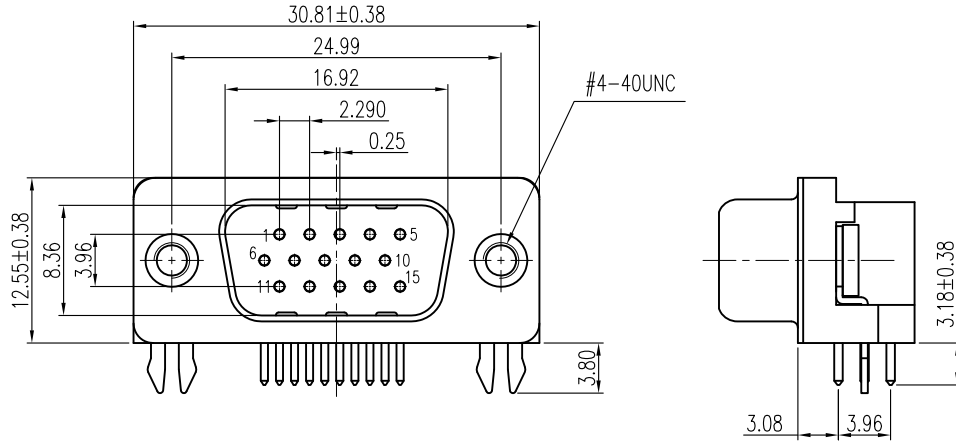
Cathy Zhao

Global Product Manager, Dsub Product Line

Amphenol East Asia Electronic Technology (Shenzhen) Cor. Ltd

This document is the property of Amphenol Corporation and is delivered on the express condition that it is not to be disclosed, reproduced or used, in whole or in part, for manufacture or sale by anyone other than Amphenol Corporation without its prior consent, & that no right is granted to disclose or to use any information in this document.

# Customer Drawing



P.C.B. DEGE  
**RECOMMENDED P.C.B. LAYOUT**  
 TOLERANCE: ±0.05MM



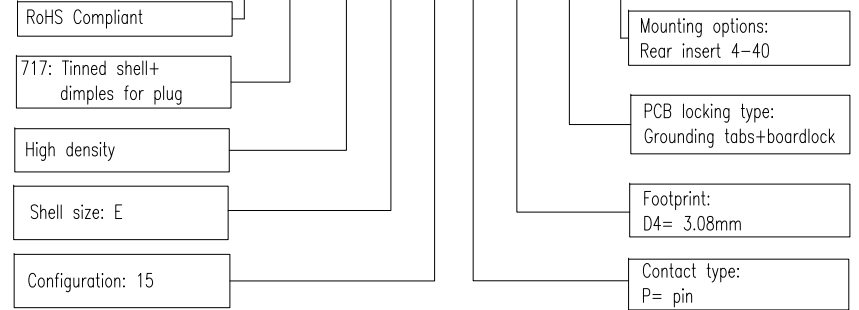
REVISIONS				
SYM	ECN	DESCRIPTION	DATE	APPROVED
1	HK--	First Release Drawing	04/07/10	IP
2	HK--	Update the drawing	09/27/17	IP
3	HK--	Update the drawing	03/14/18	IP

## D-SUB TECHNICAL DATA

SHELL : SPCC, 80u" min Nickel over 50u" min Copper  
 BODY : PBT UL 94V-0 Color: Black  
 CONTACTS : Copper Alloy  
 Gold flash over 50u" min Nickel on mating area.  
 100u" min Tin over 50u" min Nickel on solder area.  
 BOARDLOCK: Copper alloy, Tin plated.  
 RIVET: Copper alloy, Nickel plated.  
 ELECTRICAL : Voltage rating 250 V Rms Max.  
 Current rating 3A.  
 Withstanding Voltage >1000 V Rms  
 Insulation resistance >1000 M Ohms  
 Contact resistance 25 mOhms max.  
 MARKING : Amphenol...(Series No.)  
 Commercial reference  
 Manufacturing date

## PRODUCT CODE

L 717 HD E 15 P D4 CH 4R



UNLESS OTHERWISE SPECIFIED TOLERANCES		APPROVAL		DATE
U.S.	METRIC	DRAWN	Checked	03/14/18
.X +/-	0.50	Felix Liu		
.XX +/-	0.30			
.XXX +/-	0.20	Checked Tony Tang		03/14/18
FRACTIONS +/-	5'			
ANGLES +/-				
FOR MATERIALS AND FINISHES SEE NOTES		DRAWING FILE :		
REMOVE SHARP EDGES		ANGLE OF PROJECTION		
DIMENSIONS				
U.S.	INCHES			
METRIC	MM			

TITLE		
D-SUB connector, HD Series		
SIZE	DRAWING NO.	REV.
A4	L717HDE15PD4CH4R	3
SCALE	NONE	SHEET 1 OF 1

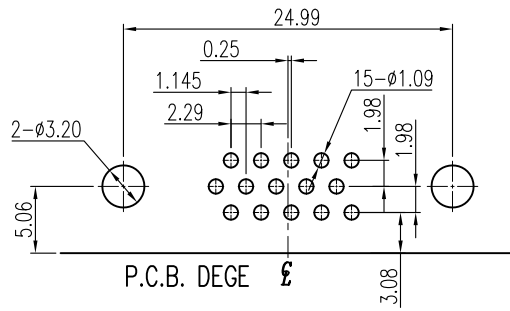
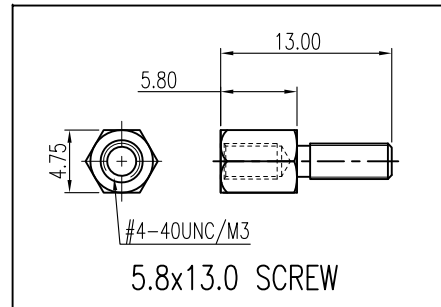
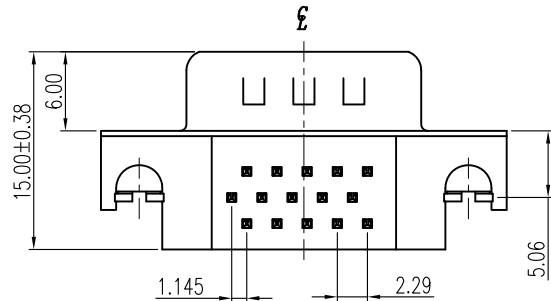
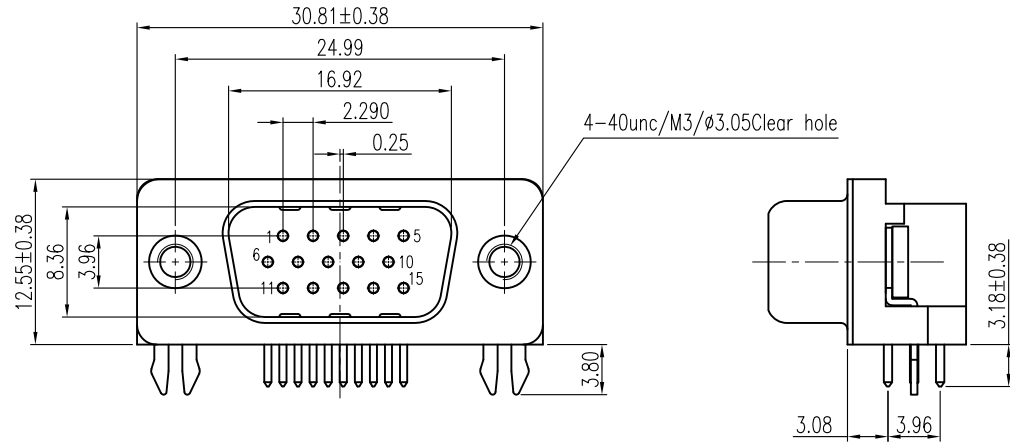
This document is the property of Amphenol Corporation and is delivered on the express condition that it is not to be disclosed, reproduced or used, in whole or in part, for manufacture or sale by anyone other than Amphenol Corporation without its prior consent, & that no right is granted to disclose or to use any information in this document.

# Customer Drawing

REVISIONS				
SYM	ECN	DESCRIPTION	DATE	APPROVED
1	HK--	First Release Drawing	03/14/18	IP

## D-SUB TECHNICAL DATA

- SHELL : SPCC, 80u" min Nickel over 50u" min Copper  
 BODY : PBT UL 94V-0 Color: Black  
 CONTACTS : Copper Alloy  
 Gold flash over 50u" min Nickel on mating area.  
 100u" min Tin over 50u" min Nickel on solder area.  
 BOARDLOCK: Copper alloy, Tin plated.  
 RIVET: Copper alloy, Nickel plated.  
 SCREW: Copper alloy, Nickel plated.  
 ELECTRICAL : Voltage rating 250 V Rms Max.  
 Current rating 3A.  
 Withstanding Voltage >1000 V Rms  
 Insulation resistance >1000 M Ohms  
 Contact resistance 25 mOhms max.  
 MARKING : Amphenol...(Series No.)  
 Commercial reference  
 Manufacturing date



P.C.B. DEGE  
 RECOMMENDED P.C.B. LAYOUT  
 TOLERANCE:±0.05MM



## PRODUCT CODE

L 717 HD E 15 P D4 CH XX

RoHS Compliant

717: Nickel shell+  
dimples for plug

High density

Shell size: E

Configuration: 15

Mounting options:  
 4R= Rear insert 4-40  
 3R= Rear insert M3  
 4F= Front screwlock 4-40  
 3F= Front screwlock M3  
 Blank= ø3.05Clear hole

PCB locking type:  
 Grounding tabs+boardlock

Footprint:  
 D4= 3.08mm

Contact type:  
 P= pin

UNLESS OTHERWISE SPECIFIED TOLERANCES	APPROVAL		DATE
	U.S.	METRIC	
.X +/-	0.50	DRAWN	03/14/18
.XX +/-	0.30	CHECKED	03/14/18
.XXX +/-	0.20	CHECKED	
FRACTIONS +/-	5'	DRAWING FILE :	
ANGLES +/-		ANGLE OF PROJECTION	
FOR MATERIALS AND FINISHES SEE NOTES			
REMOVE SHARP EDGES			
DIMENSIONS		SCALE	
U.S.	INCHES	NONE	
METRIC	MM	SHEET 1 OF 1	

TITLE		
D-SUB connector, HD Series		
SIZE	DRAWING NO.	REV.
A4	L717HDE15PD4CHXX	1