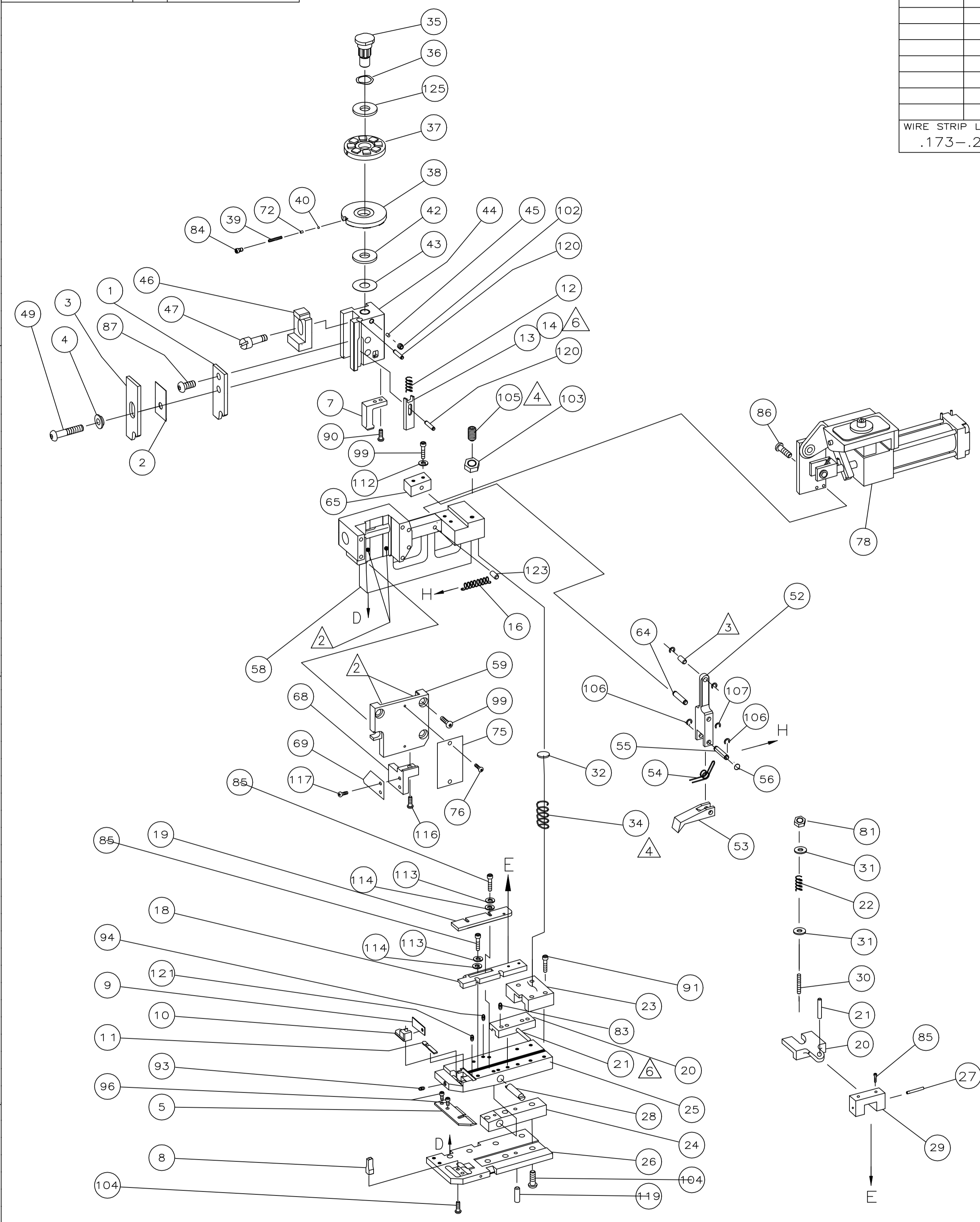


PART NUMBER	REV	FIRST USED
687394-5	V	-

TERMINAL NAME: RECEPTACLE, FASTON™.187 SERIES FLAG			
CRIMPING DATA			
42800	PAD LTR	CRIMP HEIGHT	WIRE SIZE
60529	A	.040 ±.002 [1.02 ±0.05mm]	#16
61029	B	.037 ±.002 [0.94 ±0.05mm]	#18
62213	C	.035 ±.002 [0.89 ±0.05mm]	#20
63540	D	NOT USED	
	CRIMP SIZE	TYPE	RANGE
	WIRE .140 [3.56mm]	TAB-LOCK	20-16
	INSUL .140 [3.56mm]	0	.110-.170
WIRE STRIP LENGTH .173-.203	TERM APPL SPEC 114-2078	FEED .510	APPL INSTRUCTION A18037
		SET UP GAGE -	LAYOUT -

REVISIONS			
P	LTR	DESCRIPTION	DATE
V1	ECR-19-001466		29JAN2019



- 1 RECOMMENDED SPARE PARTS.
- 2 GREASE LIGHTLY.
- 3 LUBRICATE DAILY USING NO. 20 MACHINE OIL.

- 5 ONLY THE ITEMS WITH QUANTITIES SPECIFIED ON PARTS LIST ARE USED ON THE APPLICATOR.
- 6 TO DETERMINE PROPER TERMINAL POSITIONER REFER TO AMP FROM 6140-4.
- 7 APPLY LOCTITE TO ITEMS 93 AT ASSY.

				129
				128
				127
				126
				125
				124
1	-	3-22183-9	PIN, GROOVE (Ø187X1.25)	123
				122
1	-	3-21028-2	PIN, SLOTTED SPRING (Ø094X.25)	121
2	-	4-21028-9	PIN, SLOTTED SPRING (Ø125X.38)	120
1	-	21029-5	PIN,SLOTTED SPRING (Ø188X.75)	119
				118
				117
				116
				115
				114
4	-	21024-4	WASHER, LOCK (#8)	113
2	-	21024-5	WASHER, LOCK (#10)	112
				111
				110
				109
				108
1	-	1-21986-2	RING,RET "E" Ø3/16	107
2	-	21045-3	RING,RET "C" Ø3/16	106
1	-	8-21007-5	SCREW,SKT SET(5/16-24x.75)	105
7	-	2-22733-8	SCREW, BHC (1/4-20X.63)	104
1	-	1-22202-7	NUT, HEX (5/16-24)	103
1	-	21009-2	SCREW,SKT SET(1/4-20x.25)	102
				101
				100
6	-	3-21000-8	SCREW, SHC (10-32X.88)	99
				98
				97
2	-	7-21000-6	SCREW, SHC (10-32X.38)	96
				95
1	-	4-21006-5	SCREW, SKT SET (8-32X.62)	94
1	-	21061-9	SCREW, SKT SET (8-32X.25)	93
				92
4	-	2-21000-9	SCREW, SHC (8-32X.75)	91
2	-	1-23030-1	SCREW, SHC (NYLOK)(8-32X.62)	90
				89
				88
1	-	2-21002-1	SCREW, BHC (8-32X.38)	87
2	-	21001-3	SCREW,SHC (1/4-20X.62)	86
2	-	2-22603-3	SCREW,HEX (8-32X.62)	85
1	-	23030-1	SCREW, SHC(NYLOK)(6-32X.25)	84
				83
				82
1	-	21022-3	NUT, HEX SELF LOCK (10-32)	81
REF	-	457244-2	PLATE, APPL MNT	80
				79
1	-	457098-1	AIR FEED ASSEMBLY	78
1	-	694427-1	PLATE APPLICATOR MOUNTING	77
2	-	21017-2	SCR,DRIVE(#2X.19)ID	76
1	-	461264-1	PLATE, IDENTIFICATION	75
				74
				73
1	-	690603-1	SPRING, ASSIST	72
				71
-5	U/M	PART NO	DESCRIPTION	ITEM NO
			PARTS LIST	
QTY REQD				

				70
				69
				68
				67
				66
1	-	456987-1	BLOCK, PIVOT	65
1	-	457058-1	PIN, PIVOT	64
				63
				62
				61
				60
1	-	455164-1	CAP, RAM	59
1	-	457079-1	HOUSING	58
				57
				56
1	-	240624-1	PIN, FEED FINGER	55
1	-	691499-1	SPRING, FEED FINGER	54
1	-	454568-1	FINGER, FEED	53
1	-	457057-1	ARM, PIVOT	52
				51
				50
1	-	3-21002-5	BOLT, CRIMPER	49
				48
1	-	22353-8	SCREW, SHOULDER	47
1	-	690578-1	BLOCK, INSULATION ADJUST	46
1	-	690191-1	PLUG, NYLON	45
1	-	454574-1	RAM	44
1	-	690125-1	WASHER, LAMINATED	43
1	-	1-690124-1	WASHER, RAM	42
				41
1	-	23241-6	BALL, STEEL	40
1	-	690170-1	SPRING, COMPRESSION	39
1	-	690142-1	DISC, INSULATION	38
1	-	8-690692-6	WIRE DISC, PLASTIC	37
1	-	22480-5	WASHER, SPRING	36
1	-	690212-1	POST, RAM	35
1	-	3-23846-5	SPRING, HINGE BAR	34
				33
1	-	690573-1	SPACER, SPRING	32
2	-	21899-2	WASHER FLAT	31
1	-	1-22354-8	STUD, DRAG	30
1	-	454569-1	DRAG MOUNT	29
1	-	1633530-1	PIN, HINGE	28
1	-	21030-2	DRAG SPRING MOUNT	27
1	-	684905-1	PLATE, BASE	26
1	-	454579-2	HINGE BAR	25
1	-	690571-1	BLOCK, STABILIZER	24
1	-	690585-1	BLOCK, PRESSURE	23
1	-	8-22282-6	SPRING, DRAG	22
1	-	21030-6	LEVER, DRAG	21
1	-	454570-1	DRAG, STOCK	20
1	-	454573-1	GUIDE, STRIP (REAR)	19
1	-	454571-3	GUIDE, STRIP (FRONT)	18
				17
1	-	2-22287-6	SPRING, EXTENSION	16
				15
1	-	1-692134-1	POSITIONER,TERMINAL	14
1	-	692134-7	POSITIONER,TERMINAL	13
1	-	5-22280-5	SPRING,TERM. POSITIONER	12
1	-	454712-3	PLATE, REAR SHEAR	11
1	-	454578-1	ANVIL INSERT	10
1	-	690569-2	PLATE, FRONT SHEAR	9
1	-	690718-1	ANVIL	8
1	-	454575-1	BLADE, SLUG	7
				6
1	-	684906-1	PLATE,ANVIL RETAINING	5
1	-	690574-1	SPACER,TUBULAR INSUL CRIMPER	4
1	-	690715-1	CRIMPER, INSULATION	3
				2
1	-	690716-1	CRIMPER, WIRE	1
-5	U/M	PART NO	DESCRIPTION	ITEM NO
			PARTS LIST	
QTY REQD				

THIS DRAWING IS A CONTROLLED DOCUMENT.

APPROVED: C. CHEN, N. DEMING, S. XI

DATE: Feb-2009

TE Connectivity

END FEED HINGE BAR APPLICATOR

WEIGHT: 6.01 KG

SCALE: A1

REV: V1