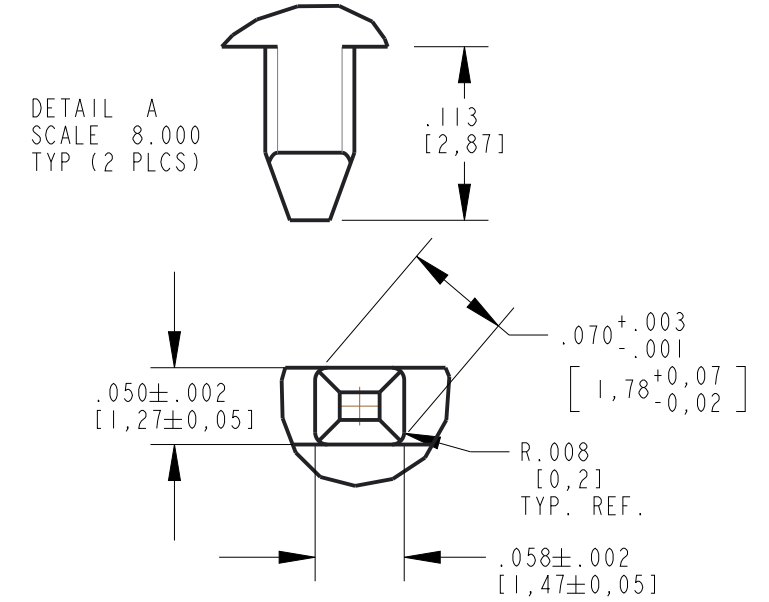
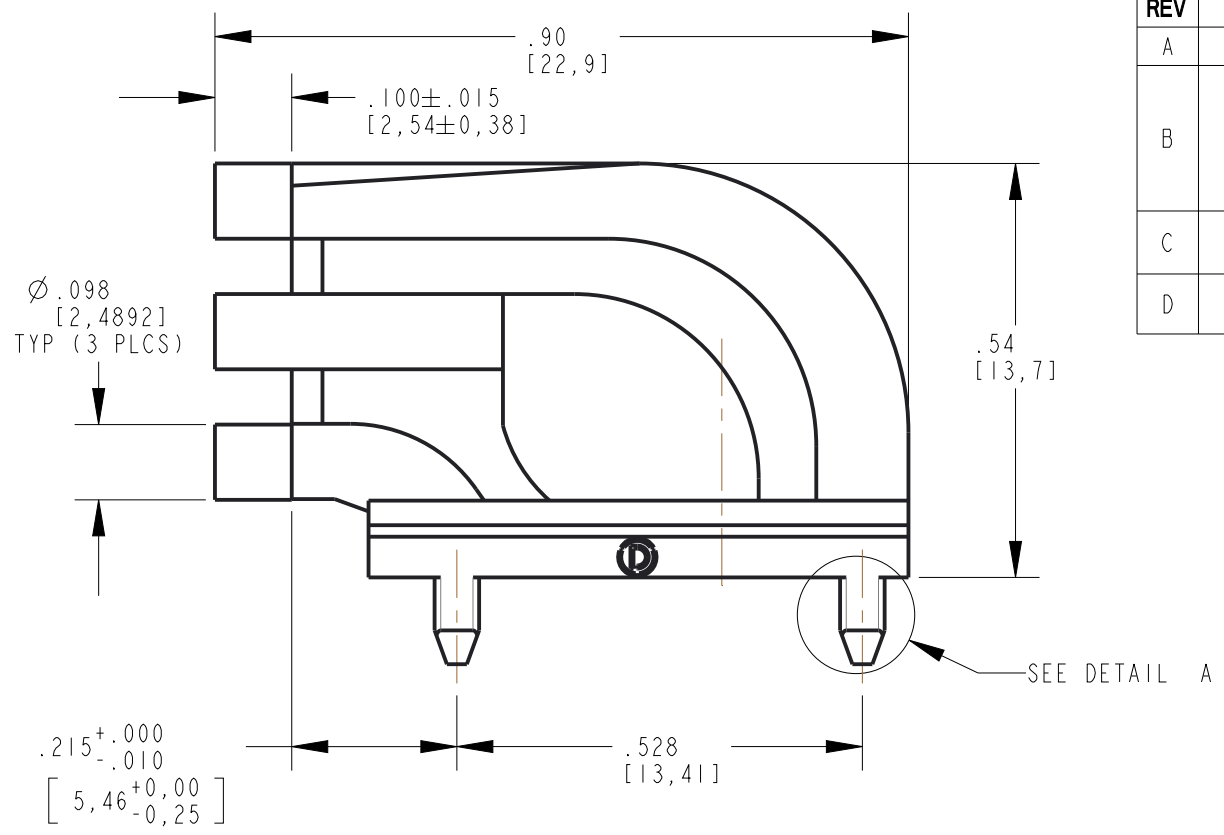
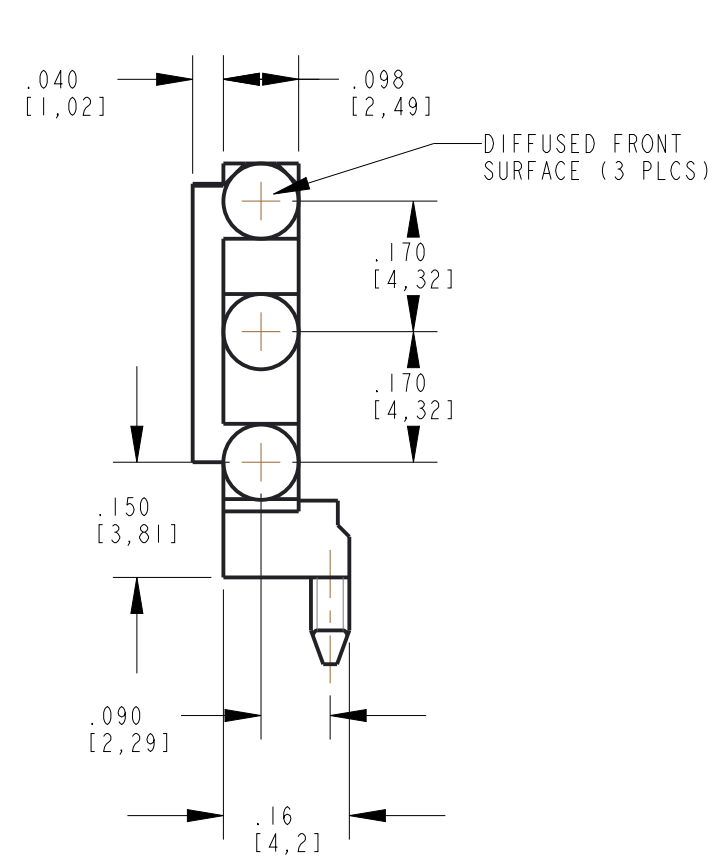
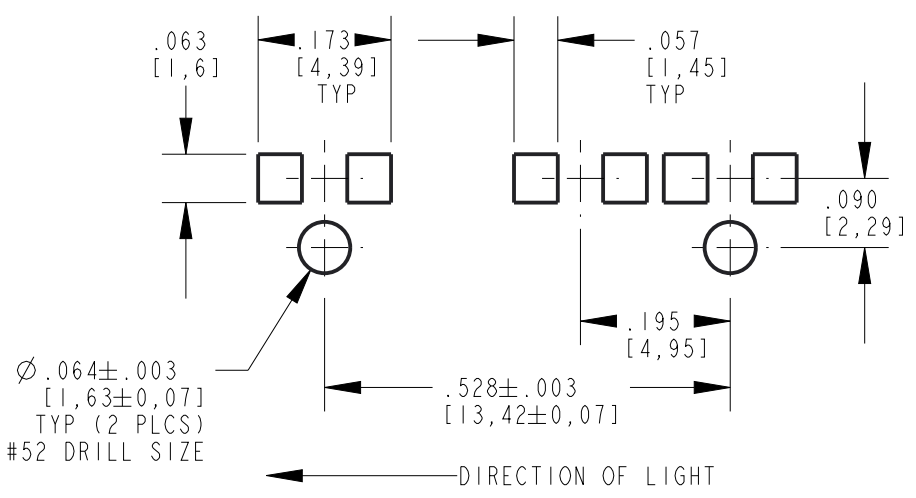


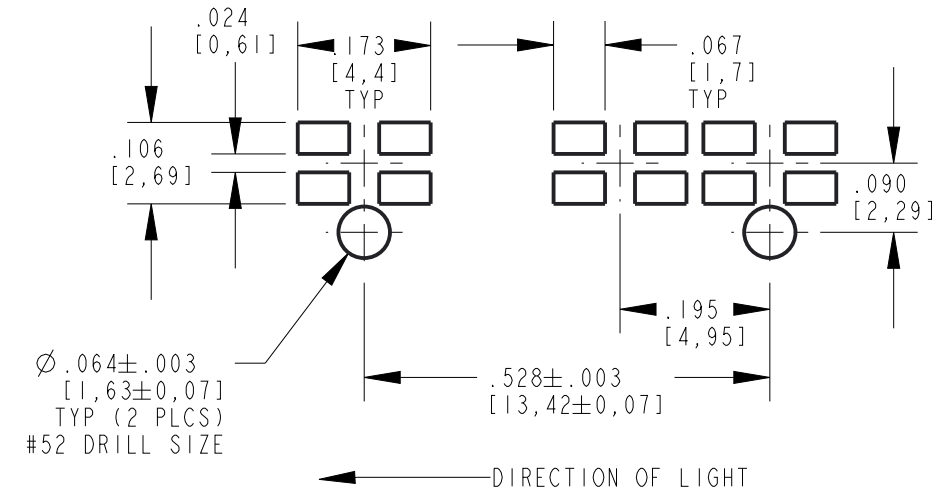
REV	REVISIONS	DRN	CKD	APP	DATE
A	NEW RELEASE	KLJ	N.O.	MES	11-28-07
B	REMOVED MOUNTING POST NOTE, ADDED DETAIL A VIEW, ADDED POST X-SEC DIMENSIONS, MOVED POST LENGTH DIMENSION TO DETAIL A VIEW.	KLJ	YC	NO	1-04-08
C	ADDED PAD LAYOUT OPTION W/ .010" CLEARANCE	LD		NO	9-16-20
D	Ø .064±.003 HOLE DIM WAS .067±.002	LD		NO	4-14-22



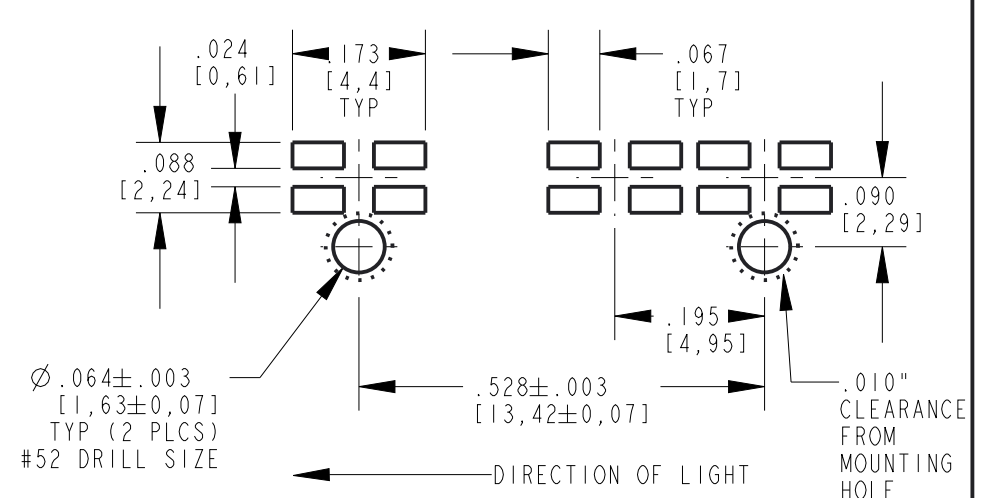
REFERENCE SOLDERPAD/HOLE LAYOUT FOR SINGLE-COLOR LEDS



REFERENCE SOLDERPAD/HOLE LAYOUT FOR BI-COLOR LEDS



OPTIONAL SOLDER PAD/HOLE LAYOUT WITH .010" MTG HOLE CLEARANCE FOR BI-COLOR LEDS

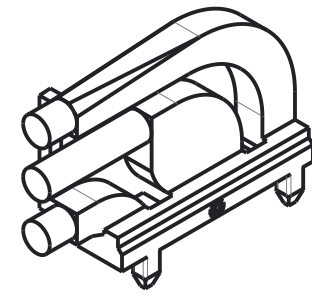


NOTES:

- COMPONENTS TO BE MOLDED IN A CLEAR TRANSMISSIVE POLYCARBONATE (UL 94V-0 FLAMMABILITY CLASS).
- COMPONENTS DESIGNED TO BE PRESSED INTO P.C. BOARD.
- RECOMMENDED LIGHT SOURCES: SINGLE OR BI-COLOR SMT LEDS (DIALIGHT P/N'S: 597-7XXX-507 OR 597-3XXX-507).
- DIALIGHT PART NUMBER: 515-1064F.

**RoHS Compliant 515-1064F**

Part Numbers with the "F" suffix ending are RoHS Compliant. The bag packaging is marked with "RoHS Compliant" label or equivalent markings.



SCALE 2.000

THIS DRAWING AND THE CONTENTS HEREIN ARE CONFIDENTIAL AND THE SOLE PROPERTY OF DIALIGHT CORP. REPRODUCTION OF THIS DRAWING OR CONSTRUCTION OF ANY PARTS WITHIN THIS DRAWING ARE FORBIDDEN WITHOUT THE WRITTEN CONSENT OF DIALIGHT CORP.

SCALE: 4.000 ALL DIM'S: INCH (mm)	DRAWING NUMBER C-17574	REV D
TOLERANCES: UNLESS OTHERWISE SPECIFIED FRACTIONS: ±1/64 DECIMALS (.XX): ±.01 DECIMALS (.XXX): ±.005 DECIMALS (.XXXX): ±.0005 ANGLES: ±1°	TITLE LIGHT PIPE 2.5mm TRI-LEVEL (RoHS COMPLIANT)	
FINISH	MATERIAL	
FSCM 83330	 1501 ROUTE 34 SOUTH FARMINGDALE, NJ 07727 (732) 919-3119 www.dialight.com	
SHEET 1 OF 1		FAMILY TABLE: