

注記
NOTES:

1.材質

MATERIAL

ハウジング：液晶ポリマー(LCP)、ナチュラル(白)、ガラス充填、UL94V-0
HOUSING: LIQUID CRYSTAL POLYMER(LCP), NATURAL(WHITE)
GLASS FILLED, UL94V-0

アクチュエータ：ポリフェニレンサルファイド(PPS)、黒色、ガラス充填、UL94V-0
ACTUATOR: POLYPHENYLENE SULFIDE(PPS), BLACK
GLASS FILLED, UL94V-0

ターミナル：リン青銅 (t=0.12)
TERMINAL: PHOS-BRO (t=0.12)

金具：リン青銅 (t=0.12)
NAIL: PHOS-BRO (t=0.12)

2.めっき仕様

PLATING

ターミナル

TERMINAL

接点部：金めっき 0.1µm以上

CONTACT AREA: GOLD 0.1 MICROMETER MINIMUM.

半田付け部：金めっき

SOLDER TAIL AREA: GOLD

下地めっき：ニッケル 1.0µm以上

UNDER PLATING: NICKEL 1.0 MICROMETER MINIMUM.

金具

NAIL

錫めっき 1.0µm以上

TIN PLATING 1.0 MICROMETER MINIMUM.

下地めっき：ニッケル 1.0µm以上

UNDER PLATING: NICKEL 1.0 MICROMETER MINIMUM.

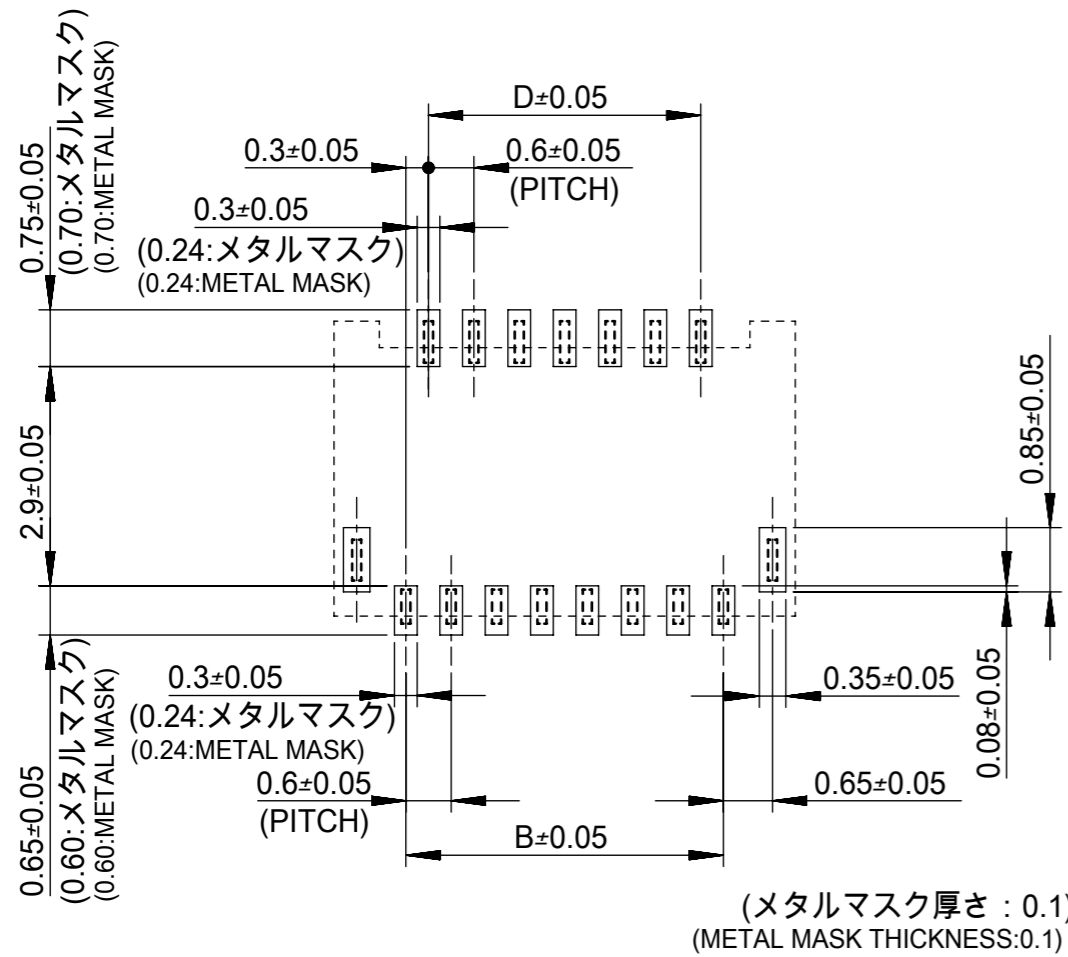
3.平坦度は、0.1ミリ以下とする。

TAILS COPLANARITY TO BE 0.1 MAXIMUM.

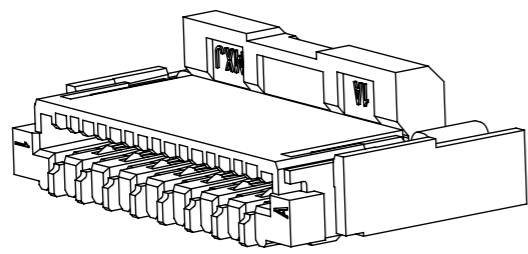
0.208	21.6	23.5	22.2	24.1	503425-7591	75
0.171	17.4	19.3	18.0	19.9	503425-6191	61
重さ (g) WEIGHT(g)	D	C	B	A	EMBOSSED PACKAGE オーダー番号 ORDER NO.	極数 CIRCUITS

CONNECTOR SERIES No. 503425-**11

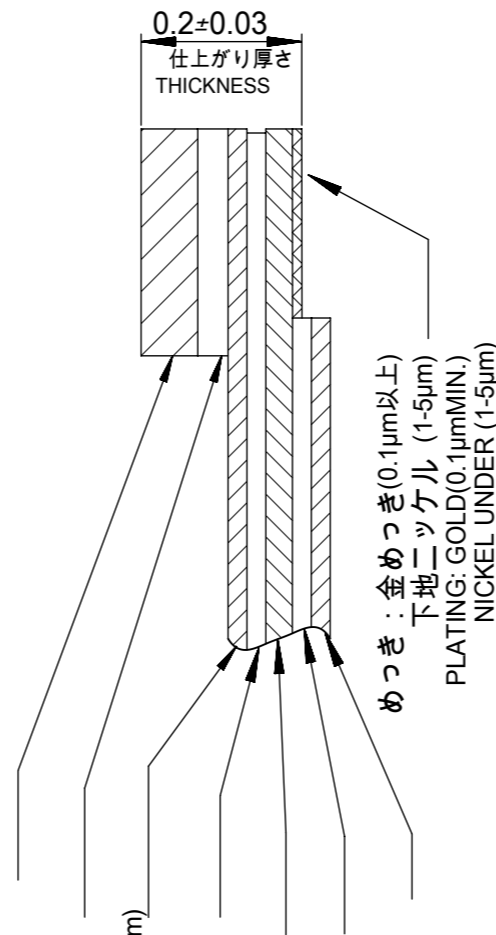
THIS DRAWING CONTAINS INFORMATION THAT IS PROPRIETARY TO MOLEX ELECTRONIC TECHNOLOGIES, LLC AND SHOULD NOT BE USED WITHOUT WRITTEN PERMISSION		CURRENT REV DESC: REVISED		molex		
DIMENSION UNITS mm	SCALE 20:1					
GENERAL TOLERANCES (UNLESS SPECIFIED)		EC NO: 601821		0.3 FPC CONN. BACK FLIP HOUSING ASSY		
ANGULAR TOL	± 1.0 °	DRWN: MKP	2019/10/21			
4 PLACES	± 0.2	CHK'D: YNAITO	2019/10/28	PRODUCT CUSTOMER DRAWING		
3 PLACES	± 0.2	APPR: RTAKEUCHI	2019/10/28			
2 PLACES	± 0.2	INITIAL REVISION:		DOCUMENT NUMBER		
1 PLACE	± 0.2	DRWN: KUSATO	2008/11/14	SD-503425-001		
0 PLACES	± 0.2	APPR: HHIRATA	2008/11/14	DOC TYPE	DOC PART	
DRAFT WHERE APPLICABLE MUST REMAIN WITHIN DIMENSIONS		THIRD ANGLE PROJECTION	DRAWING	SERIES	MATERIAL NUMBER	CUSTOMER
			A3-SIZE	503425	SEE TABLE	GENERAL MARKET
						REVISION
						001
						A
						1 OF 2



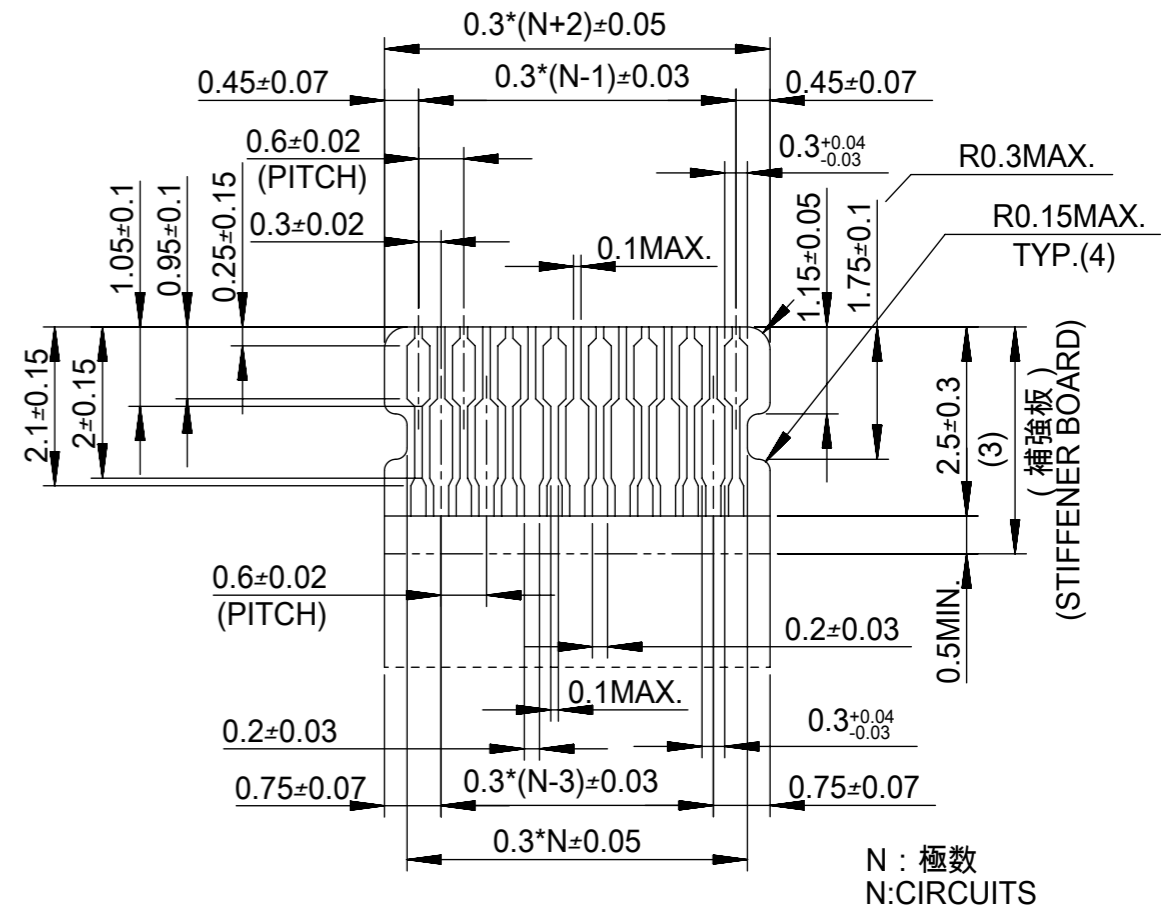
推奨基板寸法
 RECOMMENDED P.W.B. PATTERN LAYOUT



ISO VIEW (参考)



FPC構成推奨仕様
 STRUCTURE OF FPC



適合する金めっきFPC推奨寸法
 APPLICABLE FPC OF GOLD PATING RECOMMENDED DIMENSION

(仕上がり厚さ : 0.2±0.03) (THICKNESS:0.2±0.03)

FPCについて：
 抜き方向は、導体側から補強板側を推奨致します。
 補強フィルム材質は、ポリイミドを推奨致します。
 接着剤は熱硬化接着剤を推奨致します。
 尚、接着剤の接点部への付着は導通不良の原因になりますので、染み出しが無い様、お願い致します。

ABOUT FPC:
 RECOMMENDED PUNCHER DIRECTION:
 FROM CONDUCTOR SIDE TO STIFFNER FILM SIDE.
 RECOMMENDED MATERIAL:
 STIFFENER FILM : POLYIMIDE
 BONDING AGENT : THERMOSETTING AGENT
 PLEASE PUT APPROPRIATE AMOUNT OF ADHESIVE ON ADHEREND BECAUSE THERE IS A POSSIBILITY THAT THE EXTRA ADHESIVE CAUSES THE DEFECT IN ELECTRICAL CONTINUITY.

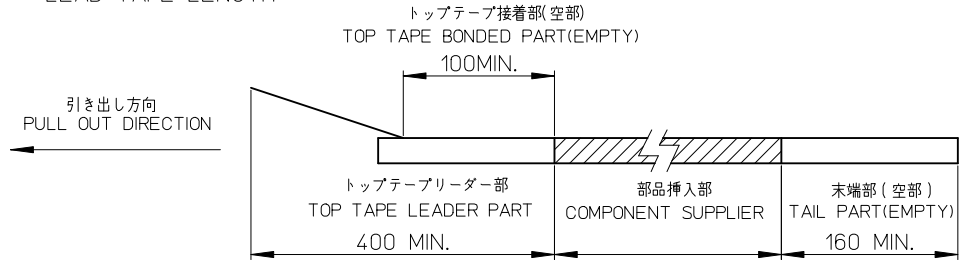
THIS DRAWING CONTAINS INFORMATION THAT IS PROPRIETARY TO MOLEX ELECTRONIC TECHNOLOGIES, LLC AND SHOULD NOT BE USED WITHOUT WRITTEN PERMISSION									
DIMENSION UNITS		SCALE		CURRENT REV DESC: REVISED					
mm		4:4							
GENERAL TOLERANCES (UNLESS SPECIFIED)									
ANGULAR TOL		± 1.0°		EC NO: 601821 DRWN: MKP 2019/10/21 CHK'D: YNAITO 2019/10/28 APPR: RTAKEUCHI 2019/10/28 INITIAL REVISION: DRWN: KUSATO 2008/11/14 APPR: HHIRATA 2008/11/14					
4 PLACES		± 0.2							
3 PLACES		± 0.2							
2 PLACES		± 0.2							
1 PLACE		± 0.2							
0 PLACES		± 0.2		PRODUCT CUSTOMER DRAWING DOCUMENT NUMBER: SD-503425-001 DOC TYPE: PSD DOC PART: 001 REVISION: A					
DRAFT WHERE APPLICABLE MUST REMAIN WITHIN DIMENSIONS		THIRD ANGLE PROJECTION		DRAWING		SERIES		SHEET NUMBER	
				A3-SIZE		503425		2 OF 2	

注記)
NOTES

1. 製品番号503425-**11の詳細寸法は、製品単体図面を参照下さい。
IN THE PACKAGE PART NUMBER 503425-**11 DETAIL DIMENSIONS,
SEE SALES DRAWING FOR CONNECTOR.

2. 梱包数量: 3000個/リール
NUMBER OF CONNECTORS : 3000 PCS/REEL

3. リードテープ長さ
LEAD TAPE LENGTH



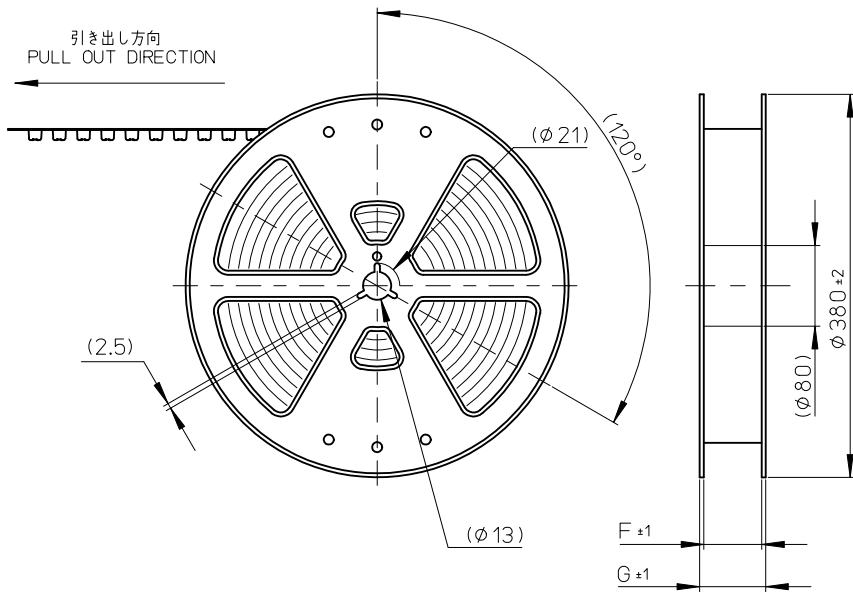
4. カバーテープの剥離強度については、IEC60286-3に準拠
COVER TAPE PEEL FORCE IS DEFINED BY IEC 60286-3.

5. 材料

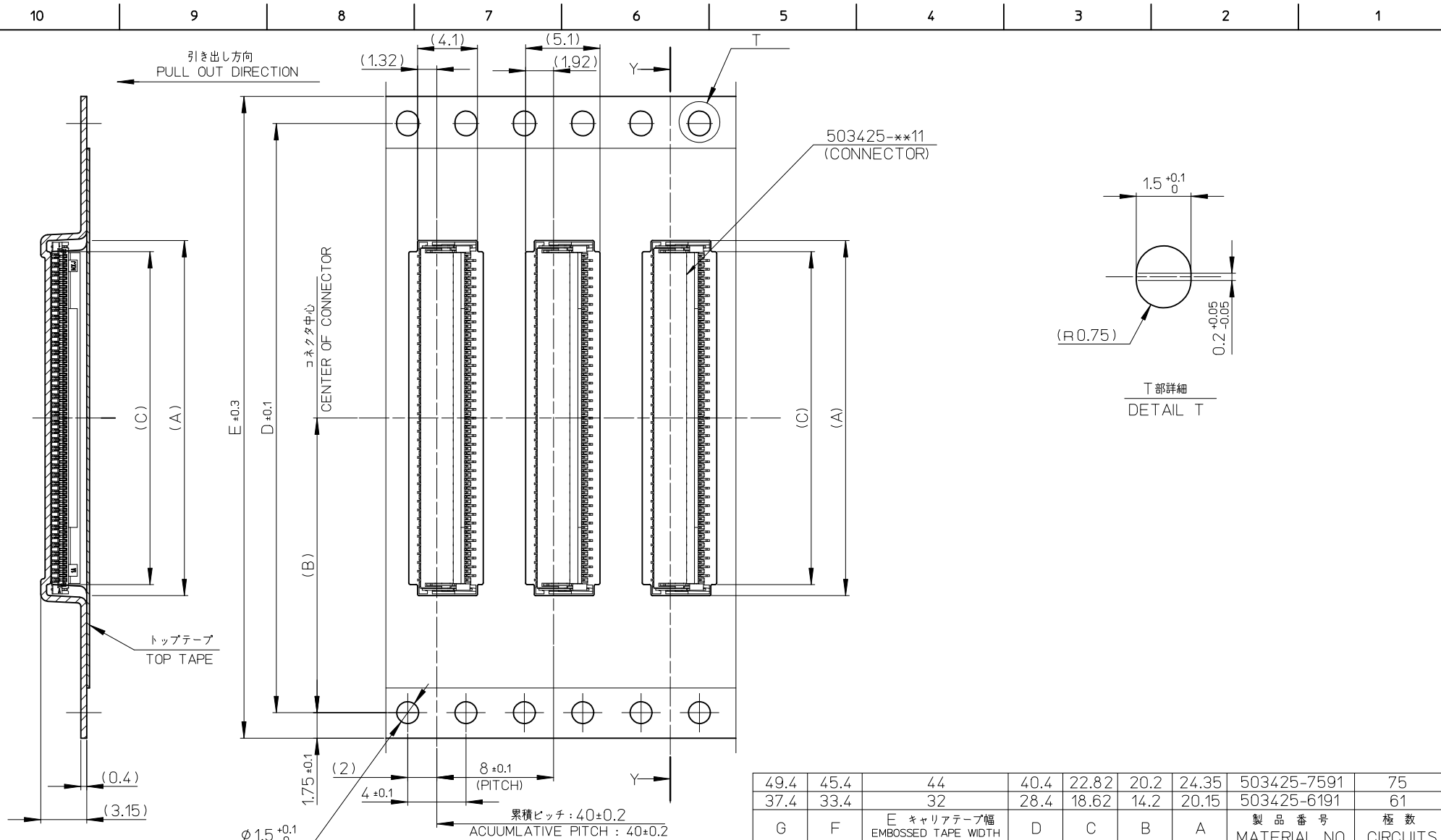
MATERIAL

キャリアテープ: ポリスチレン (PS)
CARRIER TAPE: POLYSTYRENE (PS)
トップテープ: PET, PE, PEF
TOP TAPE : PET, PE, PEF
リール: ポリスチレン
REEL: POLYSTYLENE

6. ELV及びRoHS適合品
ELV AND LoHS COMPLIANT



RELEASED EC NO.: J2010-2422 DRW: KUSATO 2008/11/19 CHK'D: HSHIMOYAMA 2010/05/28 APPR: KMORIKAWA 2010/05/31	GENERAL TOLERANCES (UNLESS SPECIFIED)		DIMENSION STYLE MM ONLY		SCALE ---	DESIGN UNITS METRIC	THIRD ANGLE PROJECTION	
	10 UNDER	\pm ---	DRAWN BY KUSATO	DATE 2008/11/19	TITLE 0.3 FPC CONN. BACK FLIP TAPING PACKAGE (503425-**11 SERIES)			
	10 OVER 30 UNDER	\pm ---	CHECKED BY HSHIMOYAMA	DATE 2008/11/19				
	30 OVER	\pm ---	APPROVED BY HHIRATA	DATE 2008/11/19	MOLEX INCORPORATED			
	ANGULAR $\pm 1^\circ$		MATERIAL NO.	DOCUMENT NO.				
DRAFT WHERE APPLICABLE MUST REMAIN WITHIN DIMENSIONS		SEE SHEET 1 OF 2		SD-503425-002		1 OF 2		
		THIS DRAWING CONTAINS INFORMATION THAT IS PROPRIETARY TO MOLEX INCORPORATED AND SHOULD NOT BE USED WITHOUT WRITTEN PERMISSION						



49.4	45.4	44	40.4	22.82	20.2	24.35	503425-7591	75	
37.4	33.4	32	28.4	18.62	14.2	20.15	503425-6191	61	
G	F	E キャリアテープ幅 EMBOSSED TAPE WIDTH		D	C	B	A	製品番号 MATERIAL NO.	極数 CIRCUITS

SEE SHEET 1 OF 2 EC NO: J2010-2422 DRWN: KUSATO 2008/11/27 CH'KD: HSHIMOYAMA 2010/05/28 APPR: KMORI KAWA 2010/05/31	GENERAL TOLERANCES (UNLESS SPECIFIED)		DIMENSION STYLE MM ONLY		SCALE ---	DESIGN UNITS METRIC	THIRD ANGLE PROJECTION	
	10 UNDER	± ---	DRAWN BY KUSATO	DATE 2008/11/19	TITLE 0.3 FPC CONN. BACK FLIP TAPING PACKAGE (503425-**11 SERIES) MOLEX INCORPORATED DOCUMENT NO. SD-503425-002 SHEET NO. 2 OF 2			
	10 OVER 30 UNDER	± ---	CHECKED BY HSHIMOYAMA	DATE 2008/11/19				
	30 OVER	± ---	APPROVED BY HHIRATA	DATE 2008/11/19				
ANGULAR ±1 °		MATERIAL NO.		SEE CHART				
DRAFT WHERE APPLICABLE MUST REMAIN WITHIN DIMENSIONS		SIZE A3		THIS DRAWING CONTAINS INFORMATION THAT IS PROPRIETARY TO MOLEX INCORPORATED AND SHOULD NOT BE USED WITHOUT WRITTEN PERMISSION				