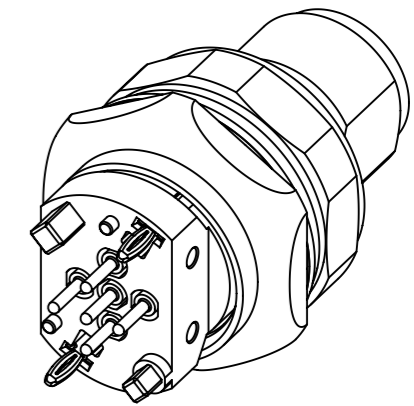
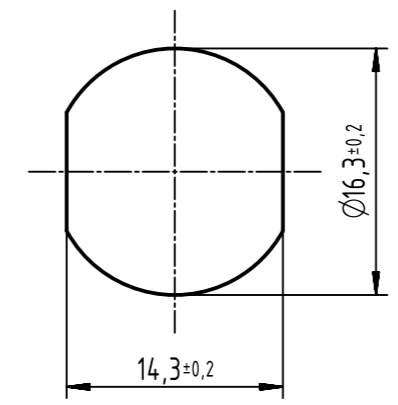
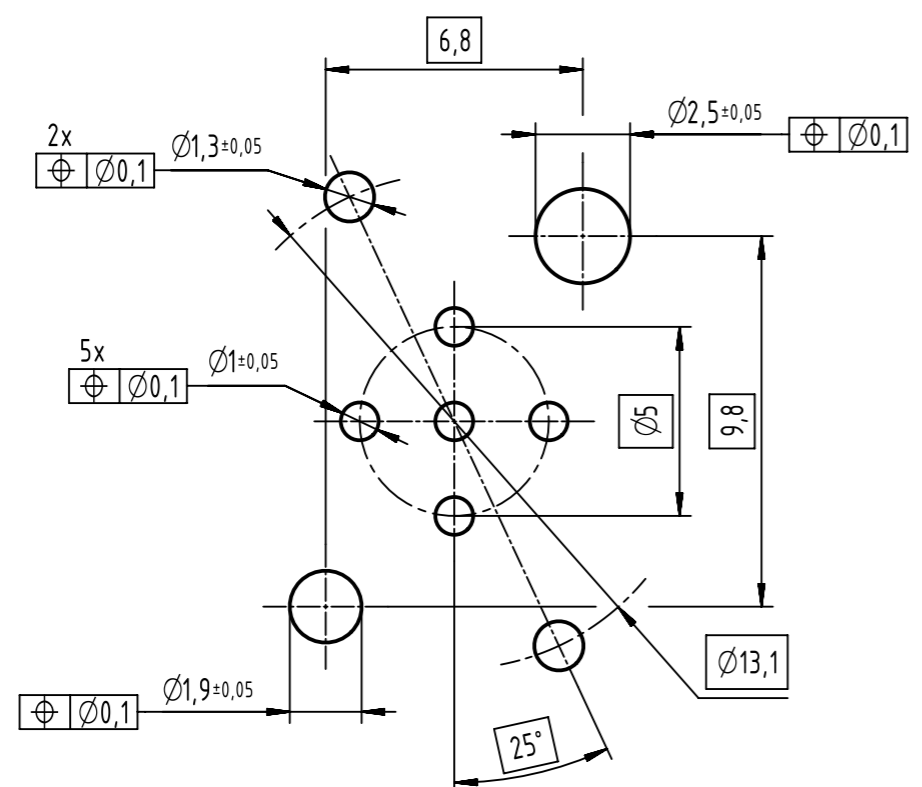


X (5:1)
recommended PCB-layout



- 1 pcs. single package

	All rights reserved Department EC PD - DE	All Dimensions in mm Original Size DIN A3	Scale 2:1	Free size tol.	Ref. Sub.
	HARTING Electronics GmbH D-32339 Espelkamp	Created by STORCK	Inspected by WELLMANN	Standardisation KOHLER	Date 2015-08-04
Title HARTING M12 PCB receptacle male B-coded 5-pole back					State Final Release
Type TB				Number 21033411530	Doc-Key / ECM-Nr. 100569296/UGD/000/C 50000092599
					Rev. C Page 1/1