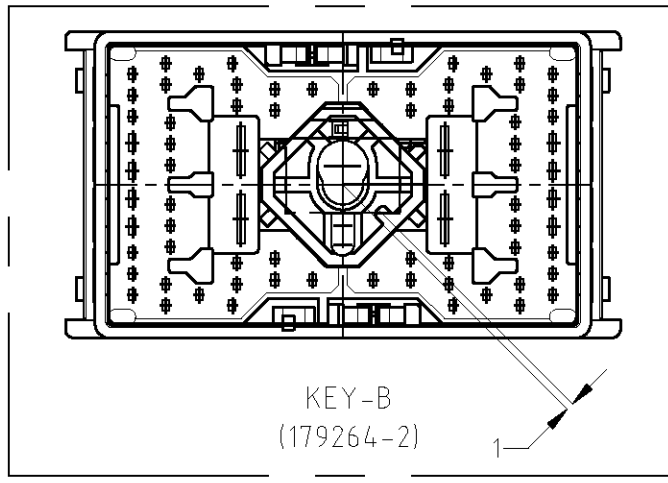
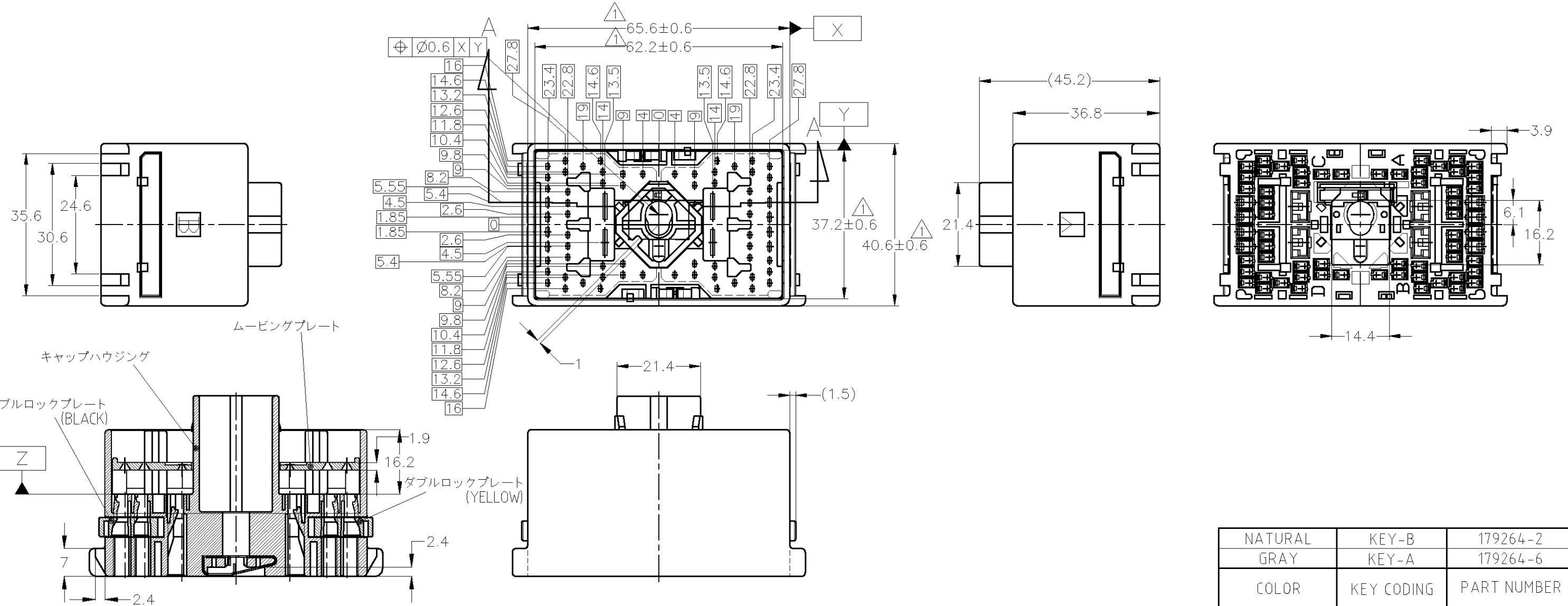


THIS DRAWING IS UNPUBLISHED. RELEASED FOR PUBLICATION  
 © COPYRIGHT BY TYCO ELECTRONICS CORPORATION. ALL INTERNATIONAL RIGHTS RESERVED.

LOC	DIST	REVISIONS					
		P	LTR	DESCRIPTION	DATE	DWN	APVD
J	—	A1	REVISED	ECR-09-008700	17APR09	SK	HY



-6(KEY-A):AS SHOWN  
 -6(KEY-A):本図



COLOR	KEY CODING	PART NUMBER
NATURAL	KEY-B	179264-2
GRAY	KEY-A	179264-6

△ TO BE MEASURED AT 2mm FROM [Z]  
 △ [Z]面より2mmの範囲で測定。

TOLERANCE UNLESS OTHERWISE SPECIFIED: 一般公差

0 < x ≤ 10	: ±0.2
10 < x ≤ 30	: ±0.25
30 < x ≤ 100	: ±0.3
ANGLE : 角度	: ±3°

THIS DRAWING IS A CONTROLLED DOCUMENT.

DWN	S.AMEMIYA	03MAR95	Tyco Electronics Corporation Kawasaki, Japan
CHK	K.ODA	03MAR95	
APVD	Y.MATSUSAKA	03MAR95	
PRODUCT SPEC	NAME		
APPLICATION SPEC	70POSITION CAP HOUSING ASSEMBLY SELF ALIGNING INTER CONNECTOR		RESTRICTED TO
WEIGHT	53 g	SIZE	A3
CUSTOMER DRAWING	SCALE	1:1	SHEET
			1 OF 1
			REV
			A1