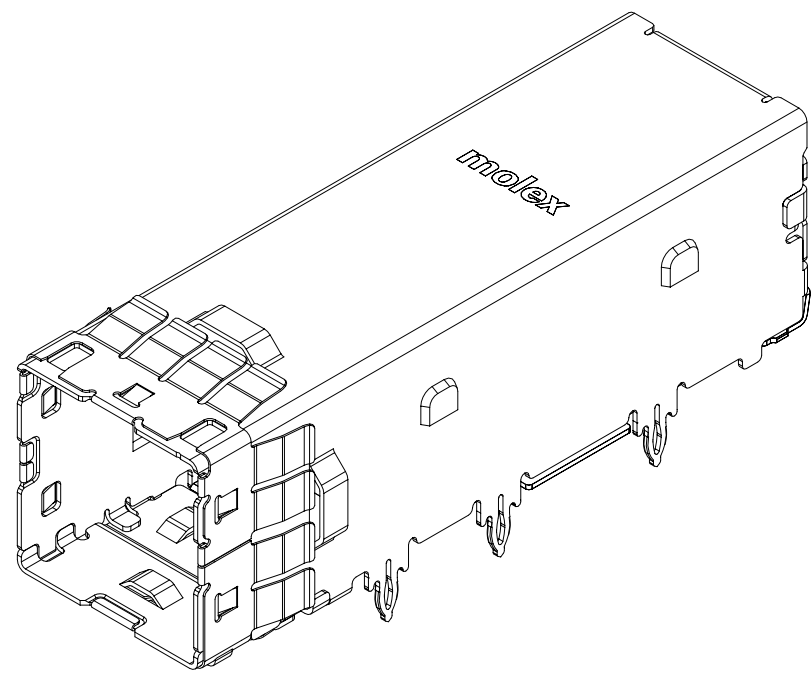
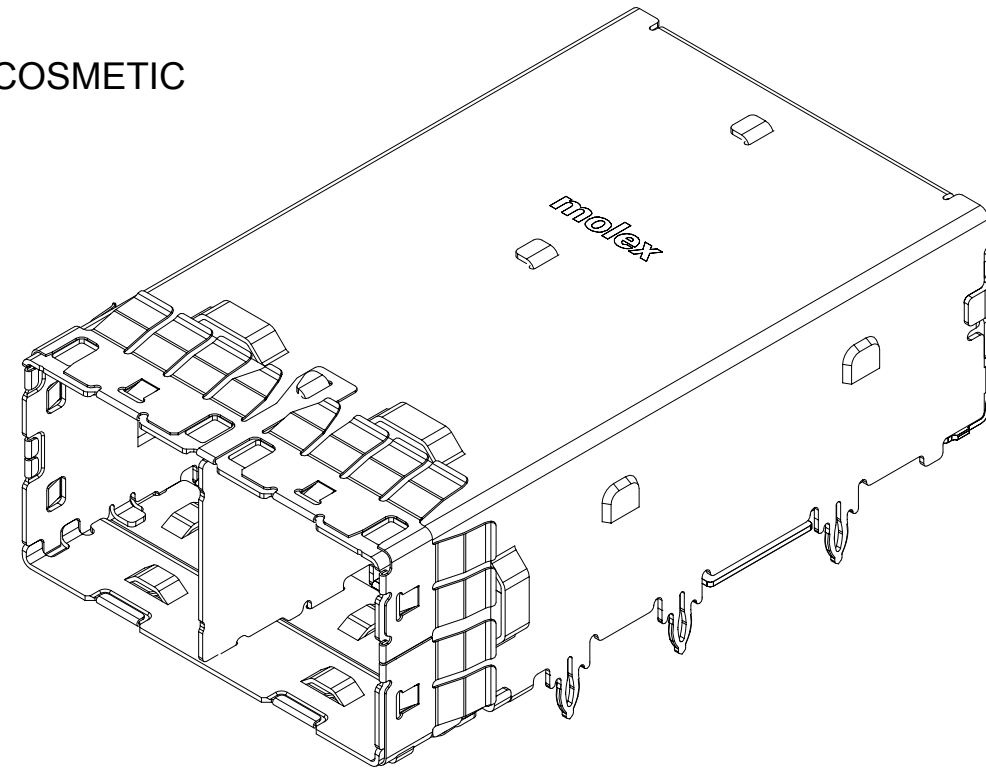
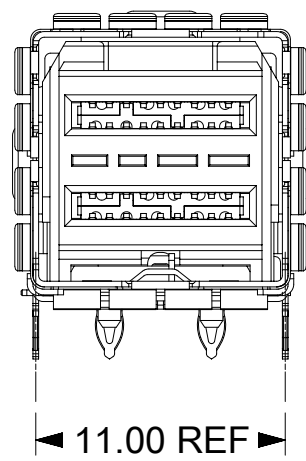


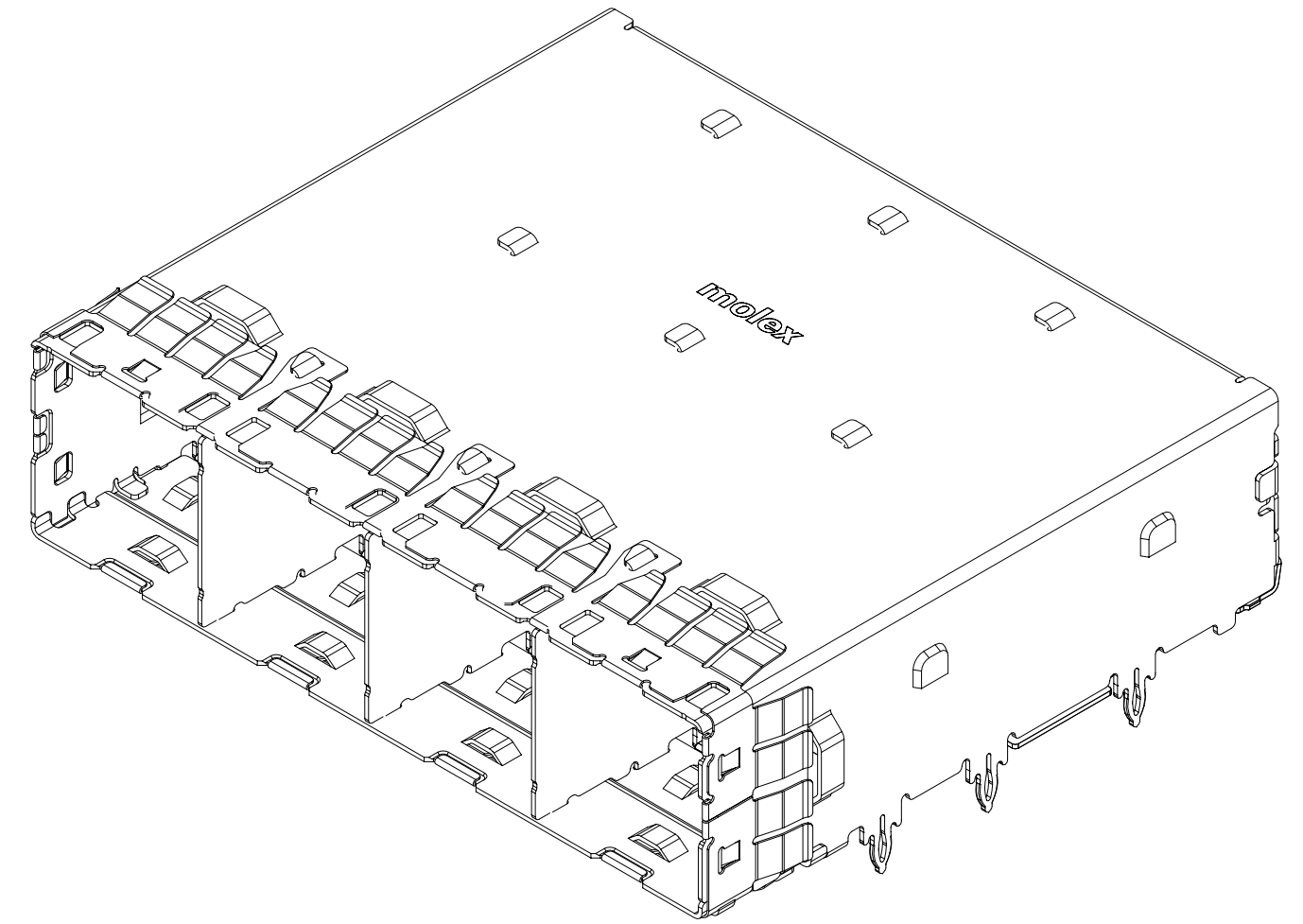
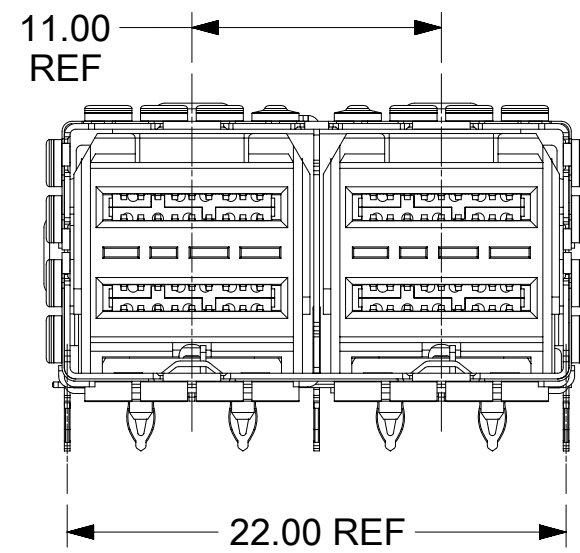
- NOTES:
1. FOR 2 PEG CONNECTOR DETAILS REFER TO SALES DRAWING: PSD 1724730011
 2. FOR 3 PEG CONNECTOR DETAILS REFER TO SALES DRAWING: PSD 1724739995
 3. FOR CAGE DETAILS REFER TO SALES DRAWING: PSD 1724730012
 4. PRODUCT SPECIFICATION: 1724730011
 5. MOUNTING INFORMATION: REFER TO APPLICATION SPECIFICATION: 1724730001
 6. MATES WITH: MOLEX CABLE SERIES 111068, 111073, 111074, & 111075
 7. PLUG MODULE PCB LAYOUT REFER TO SD-76866-9900
 8. THIS PART CONFORMS TO CLASS C REQUIREMENTS OF MOLEX COSMETIC SPECIFICATION PS-45499-002



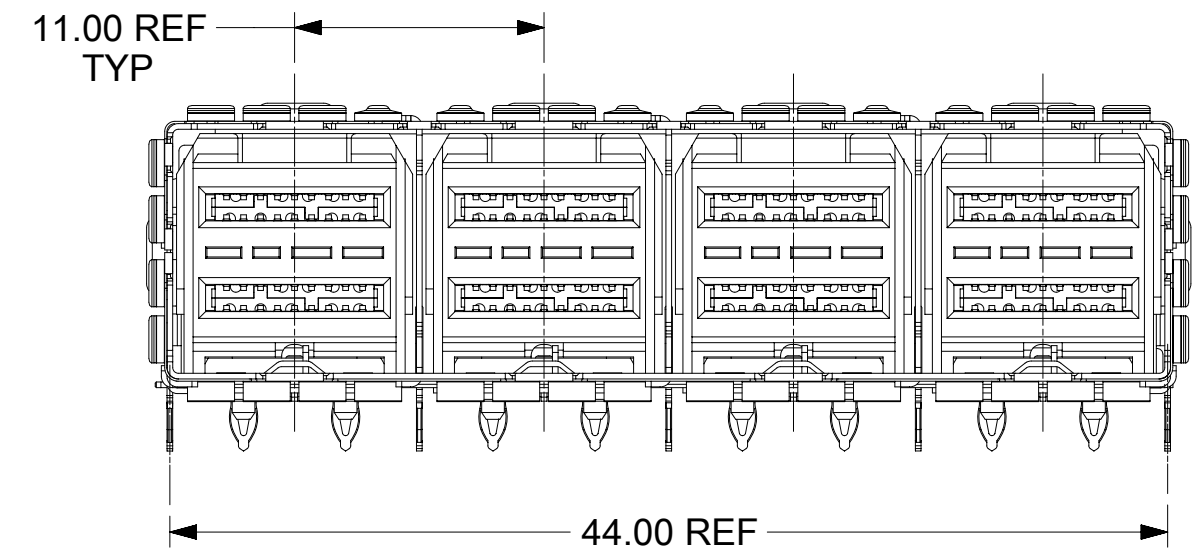
1 X 1



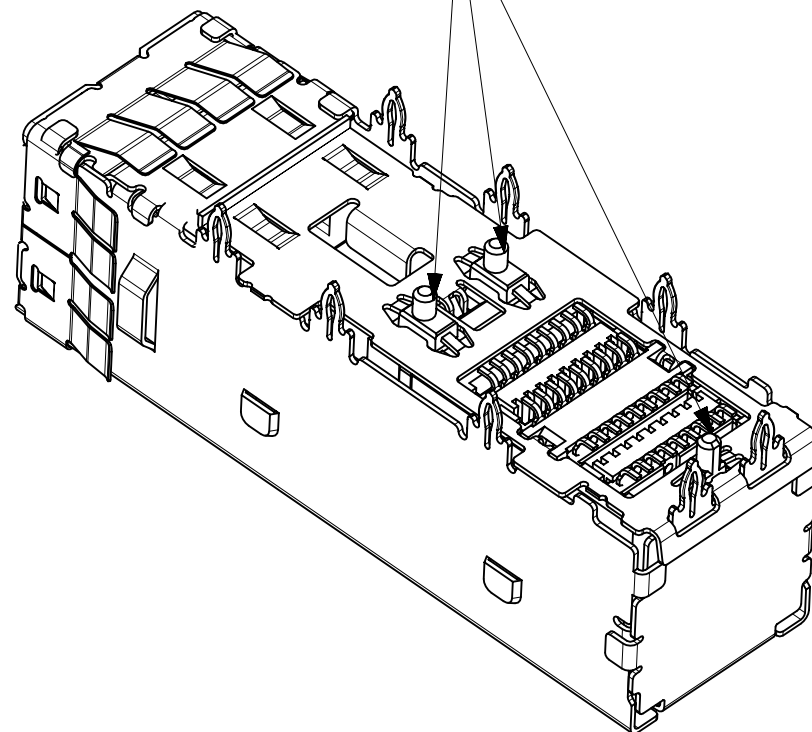
1 X 2



1 X 4

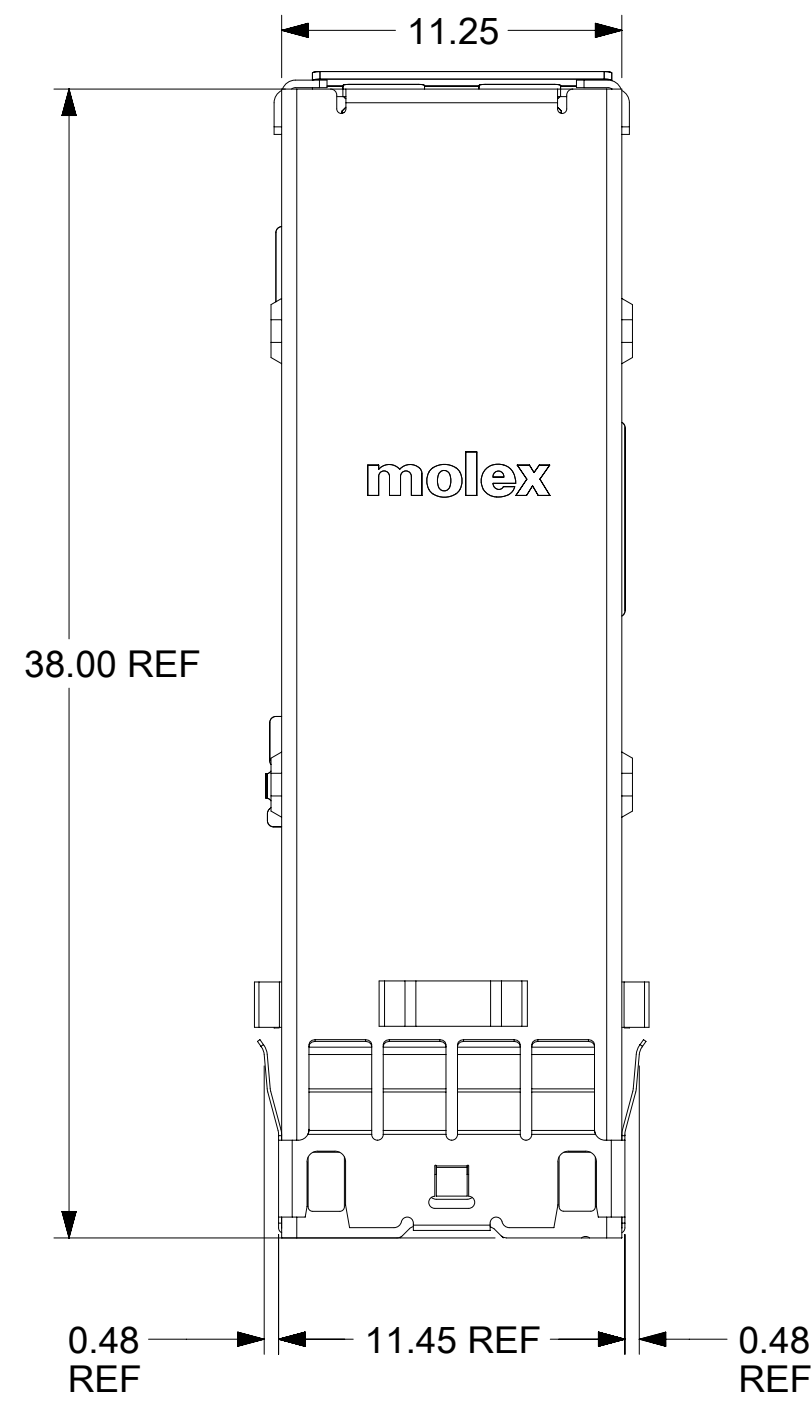


1724739995 CONNECTOR WITH 3 PEG

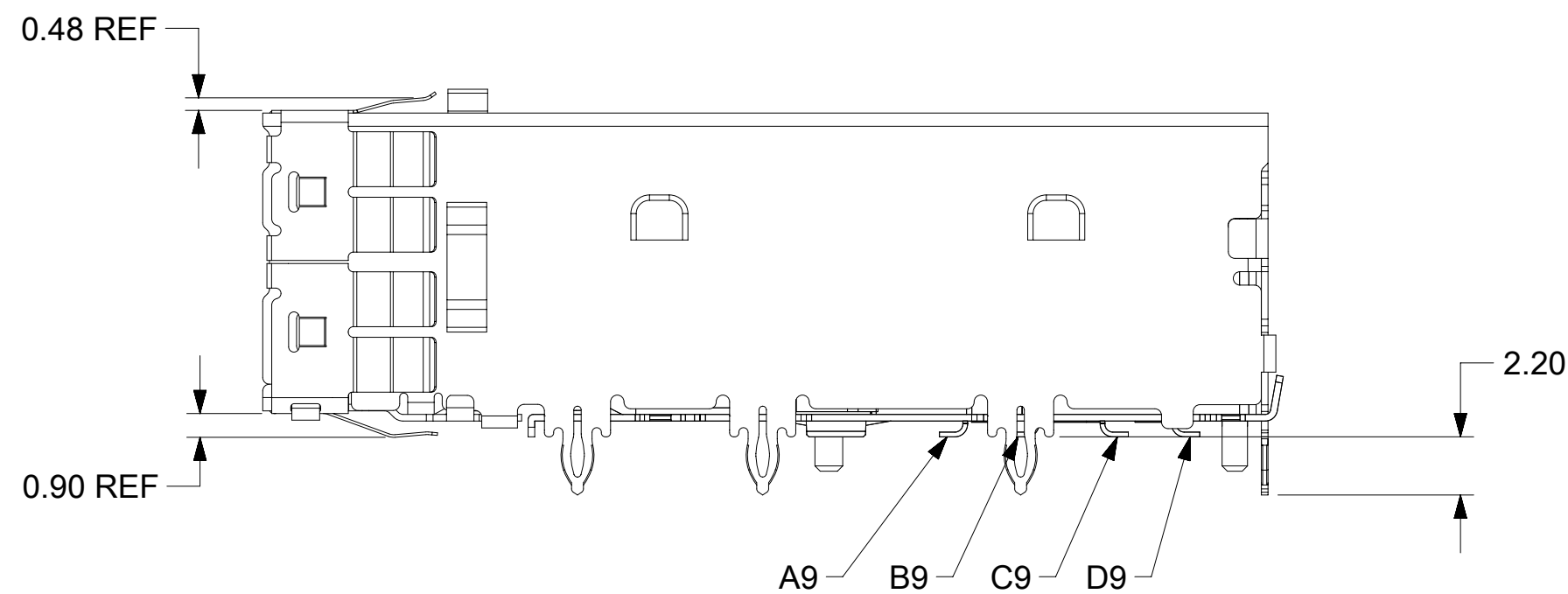
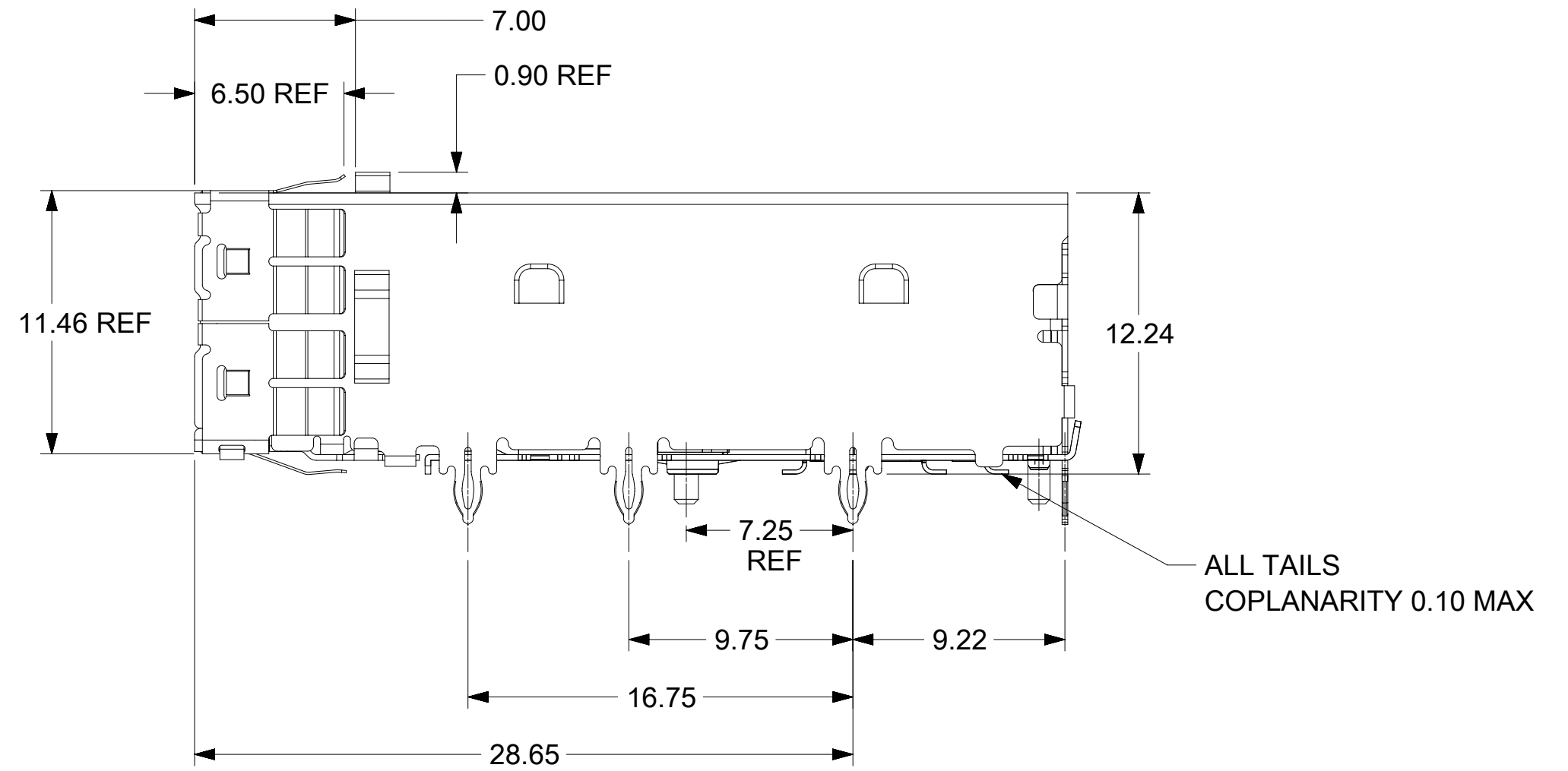
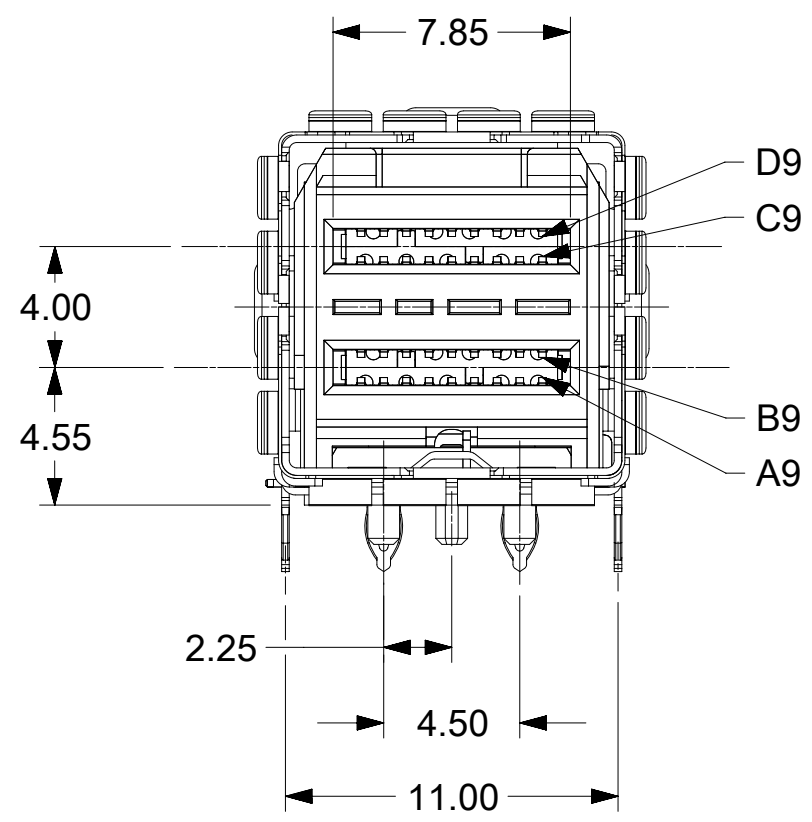


CONFIGURATION	MATERIAL NUMBER	
	CAGE	CONNECTOR WITH 3 PEG
1 x 1	1724735001	1724739995 (1X)
1 x 2	1724735002	1724739995 (2X)
1 x 4	1724735004	1724739995 (4X)

FUNCTIONAL SYMBOLS $\nabla_A = 0$ $\nabla_C = 0$ $\nabla_P = 0$ DIVISIONAL SYMBOLS	THIS DRAWING CONTAINS INFORMATION THAT IS PROPRIETARY TO MOLEX ELECTRONIC TECHNOLOGIES, LLC AND SHOULD NOT BE USED WITHOUT WRITTEN PERMISSION		CURRENT REV DESC:		
	DIMENSION UNITS	SCALE	EC NO: 733789		
	mm	3:1	DRWN: SUGEEB		
	GENERAL TOLERANCES (UNLESS SPECIFIED)		2023/01/03		
ANGULAR TOL ± °		CHK'D: GGA		2023/01/19	PRODUCT CUSTOMER DRAWING DOCUMENT NUMBER: 1724731111 DOC TYPE: PSD DOC PART: 001 REVISION: B6
4 PLACES ±		APPR: GGA		2023/01/19	
3 PLACES ± 0.1		INITIAL REVISION:		2017/11/10	MATERIAL NUMBER: SEE TABLE CUSTOMER: GENERAL MARKET SHEET NUMBER: 1 OF 5
2 PLACES ± 0.15		DRWN: AKOLAK		2018/06/27	
1 PLACE ± 0.25		APPR: TMCLELLAND		2018/06/27	
0 PLACES ±		THIRD ANGLE PROJECTION	DRAWING	SERIES	
DRAFT WHERE APPLICABLE MUST REMAIN WITHIN DIMENSIONS			C-SIZE	172473	



SHOWN 1X1 ASSEMBLY WITH 1724739995 CONNECTOR

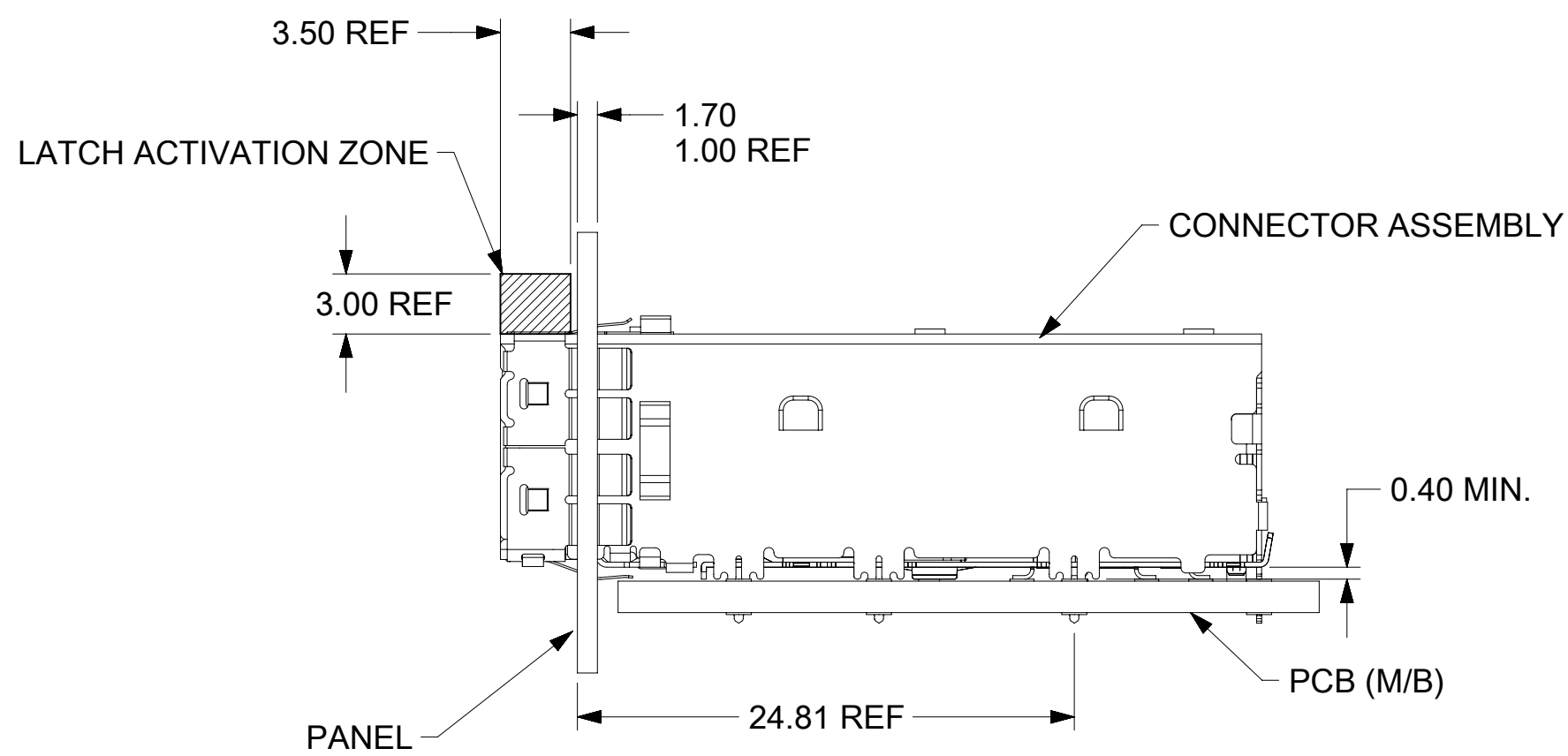


FUNCTIONAL SYMBOLS	THIS DRAWING CONTAINS INFORMATION THAT IS PROPRIETARY TO MOLEX ELECTRONIC TECHNOLOGIES, LLC AND SHOULD NOT BE USED WITHOUT WRITTEN PERMISSION		
	DIMENSION UNITS	SCALE	CURRENT REV DESC:
$\nabla_A = 0$	mm	4:1	EC NO: 733789 DRWN: SUGEEB CHK'D: GGA APPR: GGA
$\nabla_C = 0$	GENERAL TOLERANCES (UNLESS SPECIFIED)		
$\nabla_P = 0$	ANGULAR TOL ± °		2023/01/03
DIVISIONAL SYMBOLS	4 PLACES ±		2023/01/19
	3 PLACES ± 0.1		2023/01/19
	2 PLACES ± 0.15		2023/01/19
	1 PLACE ± 0.25		
0 PLACES ±			
DRAFT WHERE APPLICABLE MUST REMAIN WITHIN DIMENSIONS		THIRD ANGLE PROJECTION	DRAWING
			C-SIZE
		SERIES	172473
DOCUMENT NUMBER		DOC TYPE	DOC PART
1724731111		PSD	001
CUSTOMER		REVISION	B6
GENERAL MARKET		SHEET NUMBER	
SEE TABLE		2 OF 5	

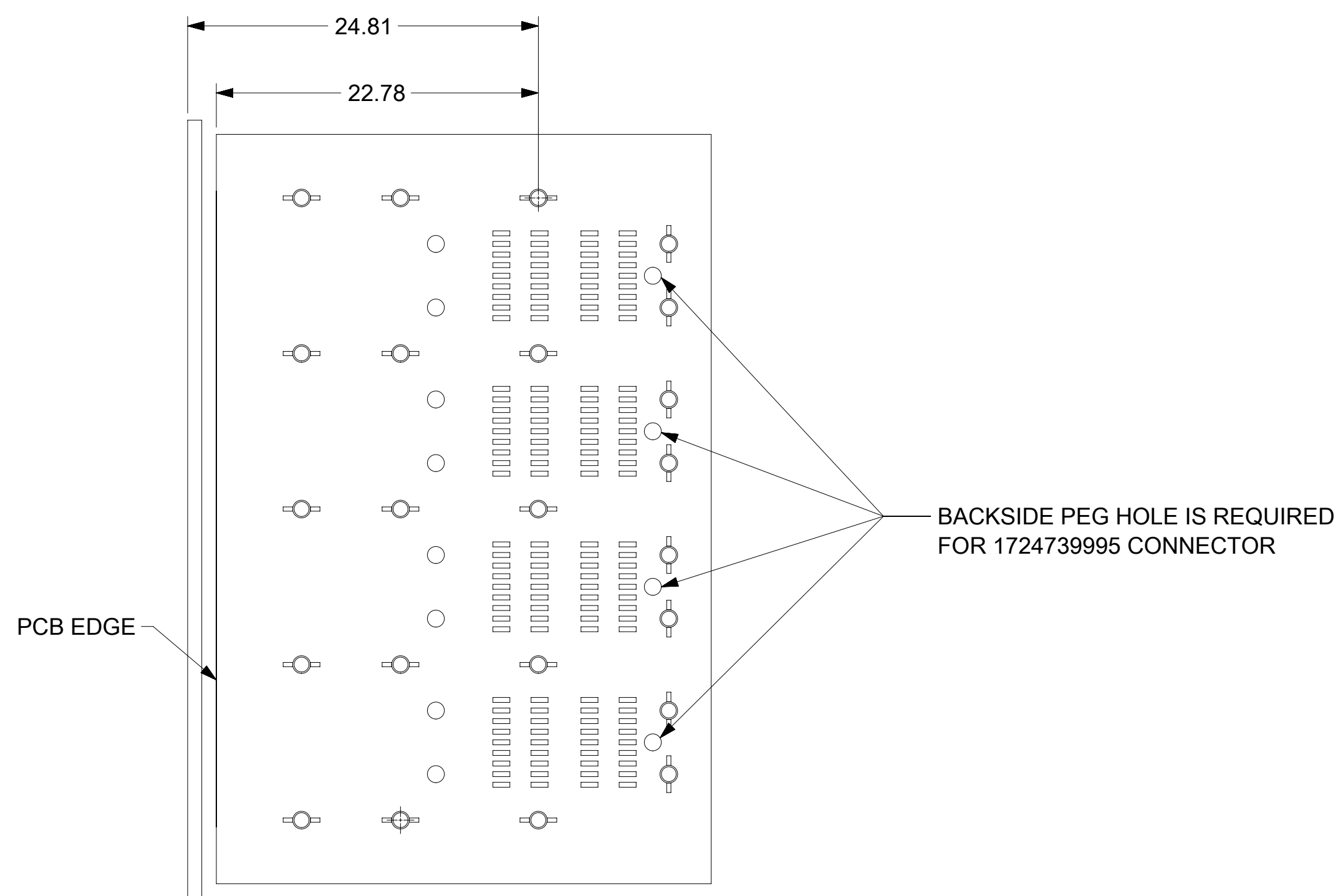
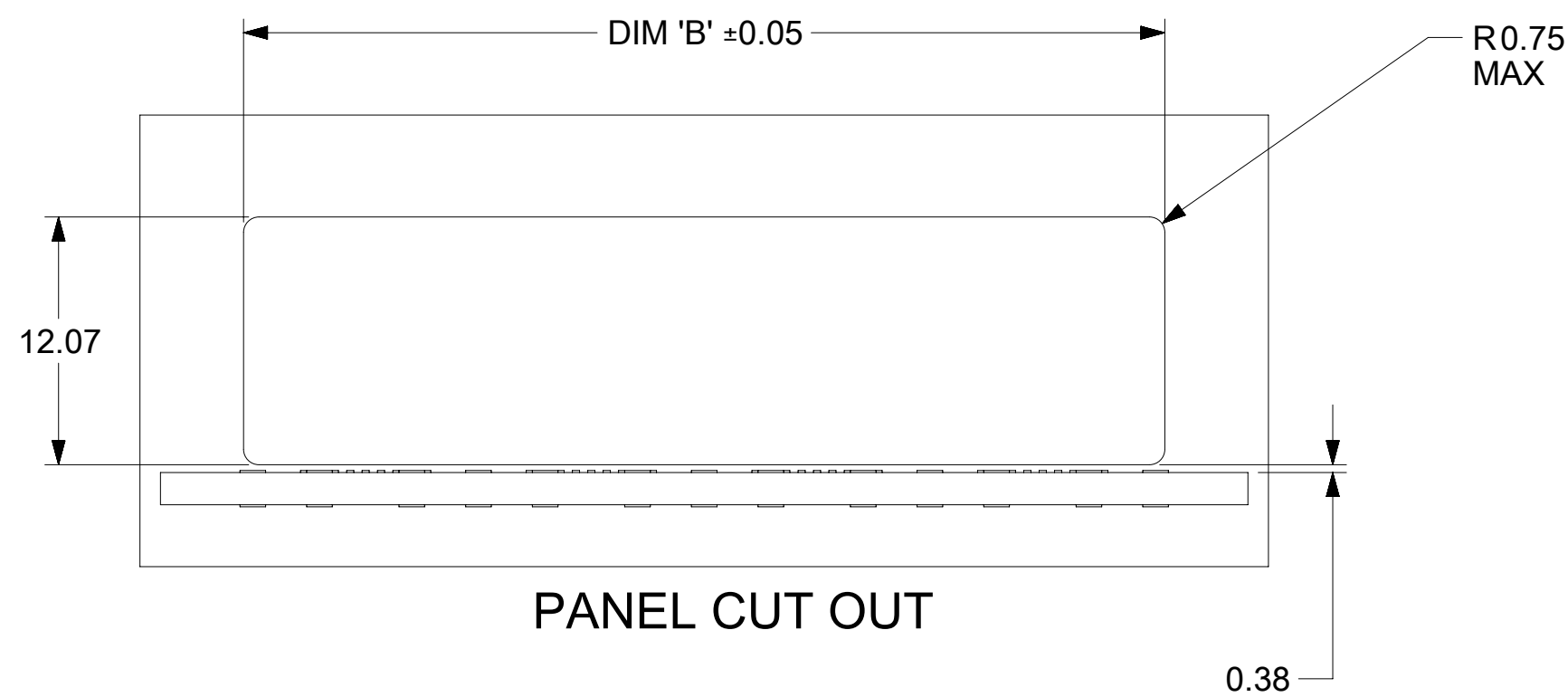
molex

IPASS RA SMT EXTERNAL SD

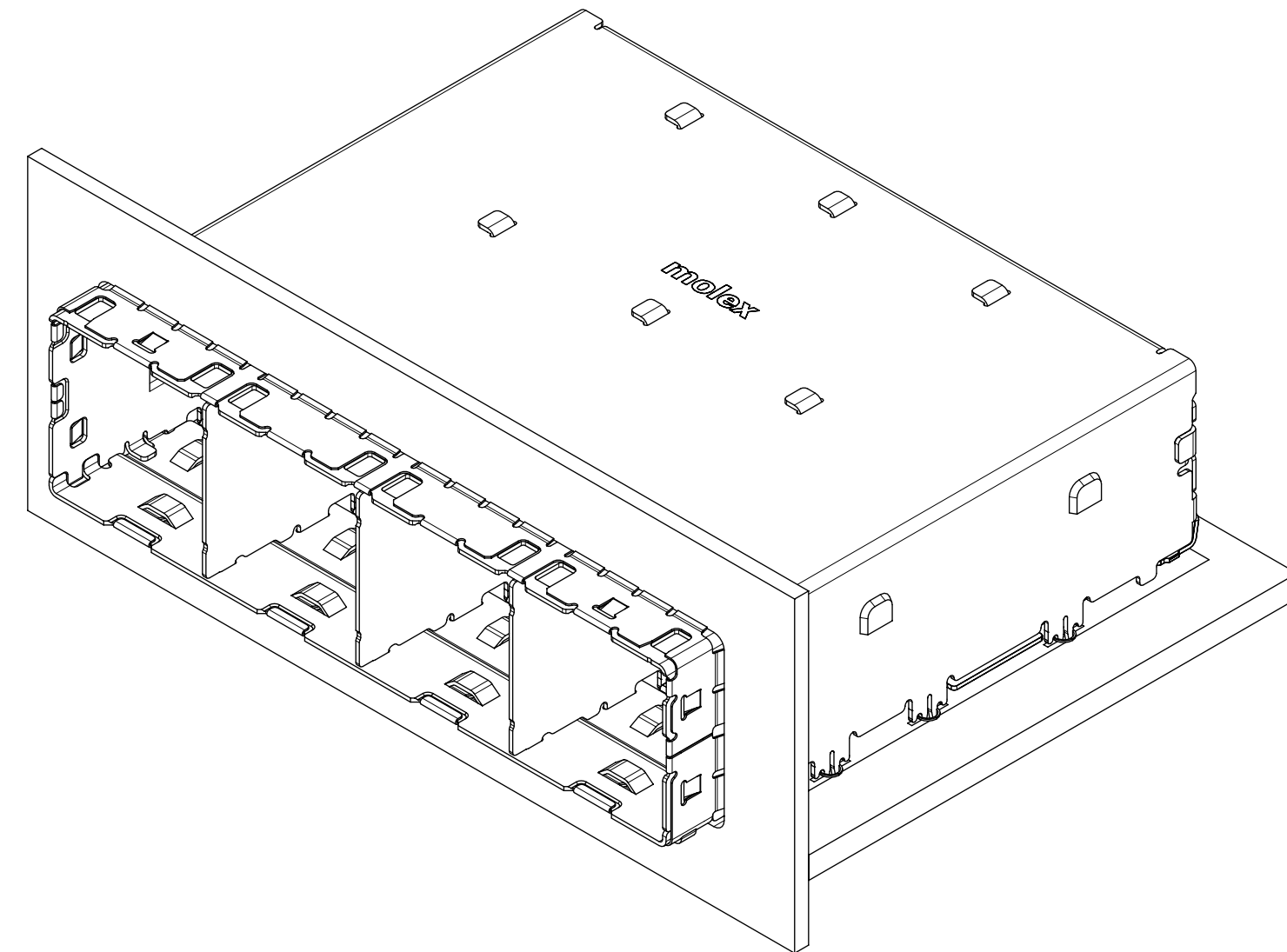
PRODUCT CUSTOMER DRAWING



ASSEMBLED VIEW



PCB TO PANEL VIEW



CONFIGURATION	DIM 'A' (MIN)	DIM 'B'
1 X 1	12.00.	11.90
1 X 2	23.00	22.90
1 X 4	45.00	44.90

FUNCTIONAL SYMBOLS $\nabla_A = 0$ $\nabla_C = 0$ $\nabla_P = 0$	THIS DRAWING CONTAINS INFORMATION THAT IS PROPRIETARY TO MOLEX ELECTRONIC TECHNOLOGIES, LLC AND SHOULD NOT BE USED WITHOUT WRITTEN PERMISSION		CURRENT REV DESC:	
	DIMENSION UNITS	SCALE	EC NO: 733789	
	mm	3:1	DRWN: SUGEEB	2023/01/03
	GENERAL TOLERANCES (UNLESS SPECIFIED)		CHK'D: GGA	2023/01/19
ANGULAR TOL ± °		APPR: GGA	2023/01/19	
DIVISIONAL SYMBOLS	4 PLACES ±	INITIAL REVISION:		
	3 PLACES ± 0.1	DRWN: AKOLAK	2017/11/10	
	2 PLACES ± 0.15	APPR: TMCLELLAND	2018/06/27	
	1 PLACE ± 0.25	THIRD ANGLE PROJECTION		
0 PLACES ±	DRAWING		SERIES	
DRAFT WHERE APPLICABLE MUST REMAIN WITHIN DIMENSIONS		C-SIZE	172473	MATERIAL NUMBER
		CUSTOMER		SHEET NUMBER
		GENERAL MARKET		3 OF 5

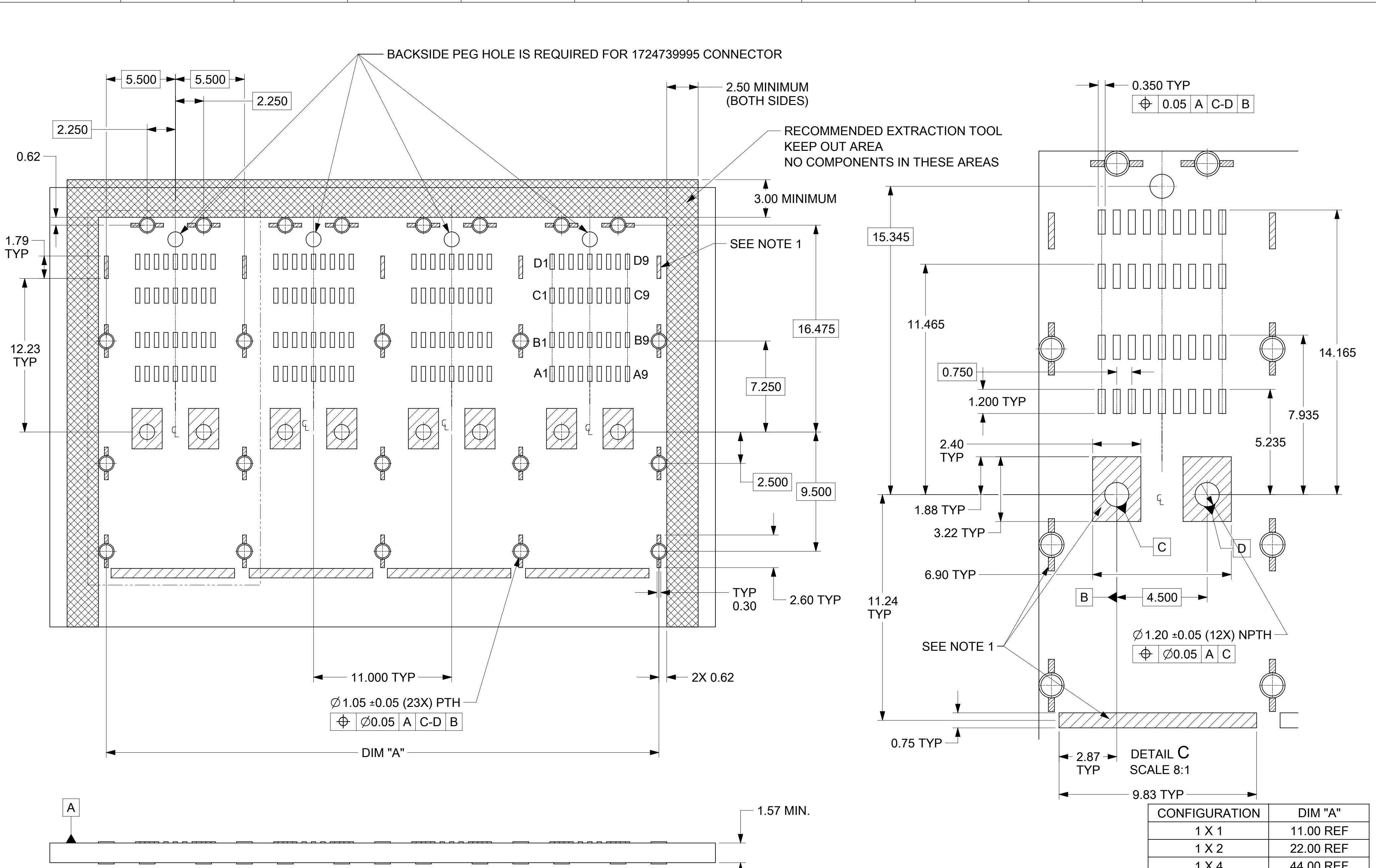
molex

IPASS RA SMT EXTERNAL SD

PRODUCT CUSTOMER DRAWING

DOCUMENT NUMBER	DOC TYPE	DOC PART	REVISION
1724731111	PSD	001	B6

DOCUMENT STATUS	P1	RELEASE DATE	2023/01/19 04:51:45
-----------------	----	--------------	---------------------



Ø 1.05 ±0.05 (23X) PTH
 ⊕ Ø0.05 A C-D B

Ø 1.20 ±0.05 (12X) NPTH
 ⊕ Ø0.05 A C

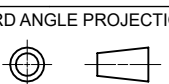
CONFIGURATION	DIM "A"
1 X 1	11.00 REF
1 X 2	22.00 REF
1 X 4	44.00 REF

SHOWN 1X4 RECOMMENDED FOOTPRINT

- NOTES:**
- KEEP OUT ZONE: TRACES, VIAS AND COMPONENT ARE NOT ALLOWED ON SURFACE OF PCB IN THESE AREAS;
 - THE ENTIRE AREA UNDER THE CONNECTOR IS A COMPONENT KEEP OUT ZONE, THE DETAIL INFORMATION REFER TO SI ROUTING SPEC. 1724730100.

FUNCTIONAL SYMBOLS		THIS DRAWING CONTAINS INFORMATION THAT IS PROPRIETARY TO MOLEX ELECTRONIC TECHNOLOGIES, LLC AND SHOULD NOT BE USED WITHOUT WRITTEN PERMISSION		CURRENT REV DESC:	
FA = 0	DIMENSION UNITS	SCALE			
EA = 0	mm	5:1			
EP = 0	GENERAL TOLERANCES (UNLESS SPECIFIED)				
DIVISIONAL SYMBOLS		ANGULAR TOL			
4 PLACES	±	°			
3 PLACES	±	0.1			
2 PLACES	±	0.15			
1 PLACE	±	0.25			
0 PLACES	±				
DRAFT WHERE APPLICABLE MUST REMAIN WITHIN DIMENSIONS		THIRD ANGLE PROJECTION	DRAWING	SERIES	MATERIAL NUMBER
			C-SIZE	172473	SEE TABLE
		EC NO: 733789		2023/01/03	
		DRWN: SUGEEB		2023/01/19	
		CHK'D: GGA		2023/01/19	
		APPR: GGA			
		INITIAL REVISION:			
		DRWN: AKOLAK		2017/11/10	
		APPR: TMCLELLAND		2018/06/27	
		DOCUMENT NUMBER		DOC TYPE	
		1724731111		PSD 001 B6	
		CUSTOMER		SHEET NUMBER	
		GENERAL MARKET		4 OF 5	

DATE	VERSION	DESCRIPTION
2021/11/16	B3	1. UPDATE THE DEFINITION OF DATUM A AND DATUM B ON PCB; 2. ADDED NEW 3 PEG 1724739995 CONNECTOR INFORMATION
2022/04/12	B5	1. UPDATE TOP SURFANCE KEEP OUT AREA; 2.CANCEL REPEAT SHOWN PAGE.
2023/01/03	B6	1. REMOVED OBSOLETED PART 1724736001 2 PEG CONNECTOR.

FUNCTIONAL SYMBOLS										THIS DRAWING CONTAINS INFORMATION THAT IS PROPRIETARY TO MOLEX ELECTRONIC TECHNOLOGIES, LLC AND SHOULD NOT BE USED WITHOUT WRITTEN PERMISSION													
DIMENSION UNITS		SCALE		CURRENT REV DESC:																			
mm		1:1		EC NO: 733789 DRWN: SUGEEB 2023/01/03 CHK'D: GGA 2023/01/19 APPR: GGA 2023/01/19 INITIAL REVISION: DRWN: AKOLAK 2017/11/10 APPR: TMCLELLAND 2018/06/27																			
GENERAL TOLERANCES (UNLESS SPECIFIED)																							
ANGULAR TOL ± °																							
4 PLACES ±																							
DIVISIONAL SYMBOLS										PRODUCT CUSTOMER DRAWING													
3 PLACES ± 0.1		2 PLACES ± 0.15		1 PLACE ± 0.25		0 PLACES ±		DOCUMENT NUMBER				DOC TYPE		DOC PART		REVISION							
DRAFT WHERE APPLICABLE MUST REMAIN WITHIN DIMENSIONS		THIRD ANGLE PROJECTION		DRAWING		SERIES		MATERIAL NUMBER				CUSTOMER				SHEET NUMBER							
				C-SIZE		172473		SEE TABLE				GENERAL MARKET				5 OF 5							



IPASS RA SMT EXTERNAL SD

PRODUCT CUSTOMER DRAWING

1724731111

PSD 001 B6