

Splice box - FOC-SB-FR19:1U-LCD12-OM2 GY - 1418815

Please be informed that the data shown in this PDF Document is generated from our Online Catalog. Please find the complete data in the user's documentation. Our General Terms of Use for Downloads are valid (<http://phoenixcontact.com/download>)

19" splice box, gray, 1 RU, fully pre-assembled ready to splice, for 12 x LC duplex OM2



19" splice box, gray, 12 x LC duplex OM2

Product Description

19" FDX 20 series splice boxes, 1 RU, with removable drawer, for 12x LC duplex OM2, gray, completely ready to splice (correctly pre-mounted: 12 ceramic couplings, 12 filler plugs, 24 pigtails, 2 cassettes, 4 combs, 1 cassette cover, and 24x shrink splice protectors). 4 cable entries (rear) incl. 2 M20 cable glands, measurement protocol and 19" mounting set.

Your advantages

- removable drawer with quick release
- easy to remove drawer
- high-quality individual components
- 100 % control including measurement protocol
- fully prepared ready to splice
- 4 cable entries including 2 cable glands
- subsequent extension to 24 x LC duplex possible
- including 19" mounting set
- including shrink splice protection
- easy to install



Key Commercial Data

Packing unit	1 pc
GTIN	
GTIN	4055626151694

Technical data

Mechanical characteristics

Number of slots	12
Connection profile	LC connectors

Splice box - FOC-SB-FR19:1U-LCD12-OM2 GY - 1418815

Technical data

Mechanical characteristics

Locking type	Push Pull
Fiber type	GOF
Ferrule diameter	1.25 mm
Insertion/withdrawal cycles	min. 1000
Connection method	Splicing
Type of cable	Loose Tube
Color	light grey RAL 7035
Mounting type	Screw mounting
Degree of protection	IP20
Type	1 HE
Size of housing	1
No. of cable outlets	2

Ambient conditions

Ambient temperature (operation)	-10 °C ... 60 °C
Degree of protection	IP20

Material data

Flammability rating according to UL 94	V0
Housing material	Sheet steel
Housing surface material	Powder-coated, gray
Ferrule material	Zirconia ceramics
Housing width	441 mm
Depth	329 mm
Height	43.8 mm

Standards and Regulations

Flammability rating according to UL 94	V0
--	----

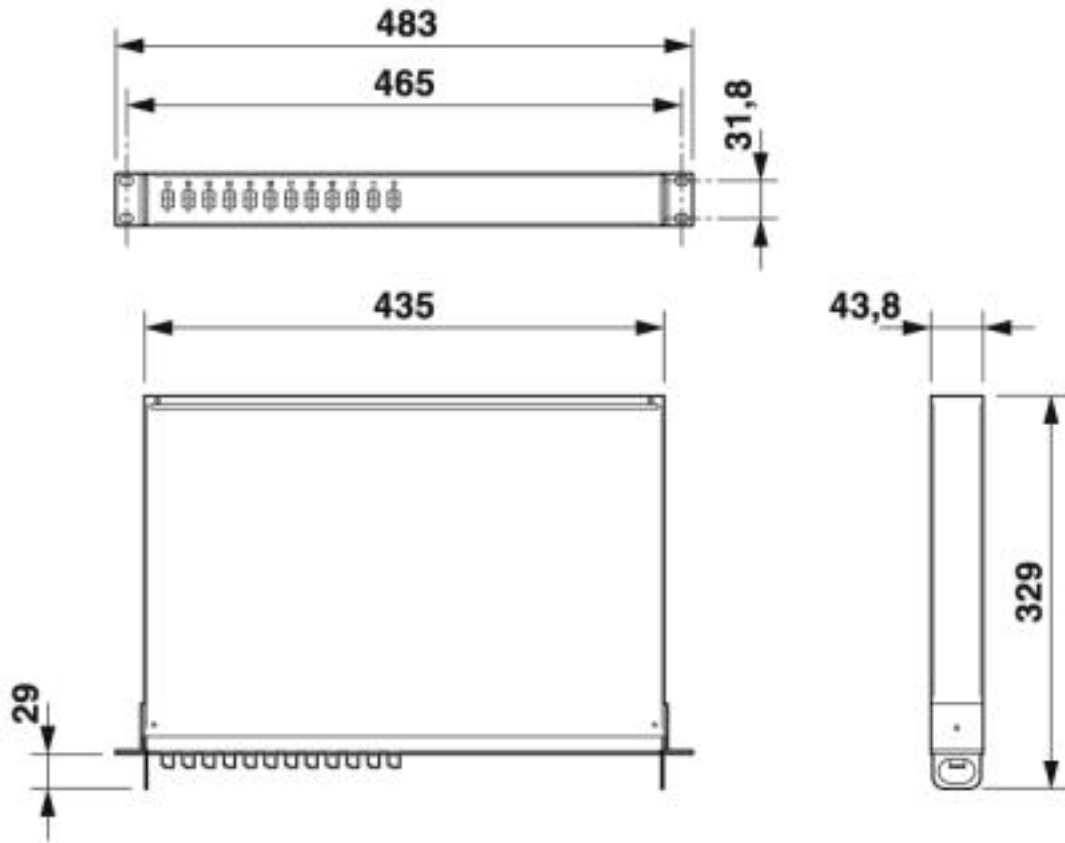
Environmental Product Compliance

China RoHS	Environmentally friendly use period: unlimited = EFUP-e
	No hazardous substances above threshold values

Drawings

Splice box - FOC-SB-FR19:1U-LCD12-OM2 GY - 1418815

Dimensional drawing



Approvals

Approvals

Approvals

EAC

Ex Approvals

Approval details

EAC		B.01742
-----	--	---------

Phoenix Contact 2019 © - all rights reserved
<http://www.phoenixcontact.com>

PHOENIX CONTACT GmbH & Co. KG
Flachmarktstr. 8
32825 Blomberg
Germany
Tel. +49 5235 300
Fax +49 5235 3 41200
<http://www.phoenixcontact.com>