

# PART No. MATRIX

**E 1 6 A 0 6 0 1 6 BK X X X X X**

E=ETHERNET/  
Ethernet

HEADS:  
1 = M12 D-Coding  
6 = RJ45

HEADS STYLE:  
060 = MALE STR / MALE STR

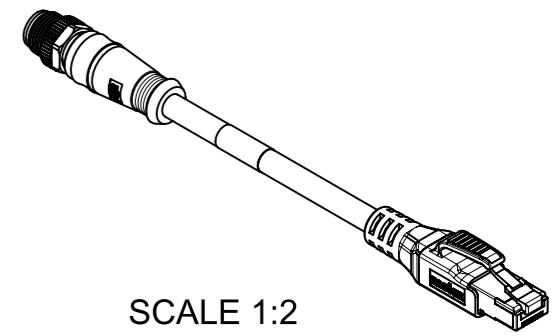
CABLE TYPE :  
CABLE 16 BK

UNITS:  
M= METER  
T= 10xMETER

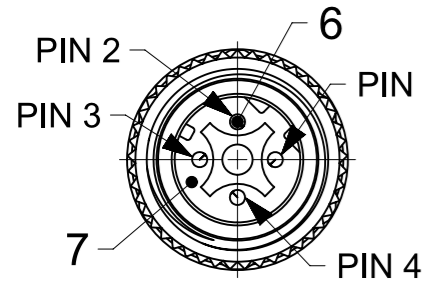
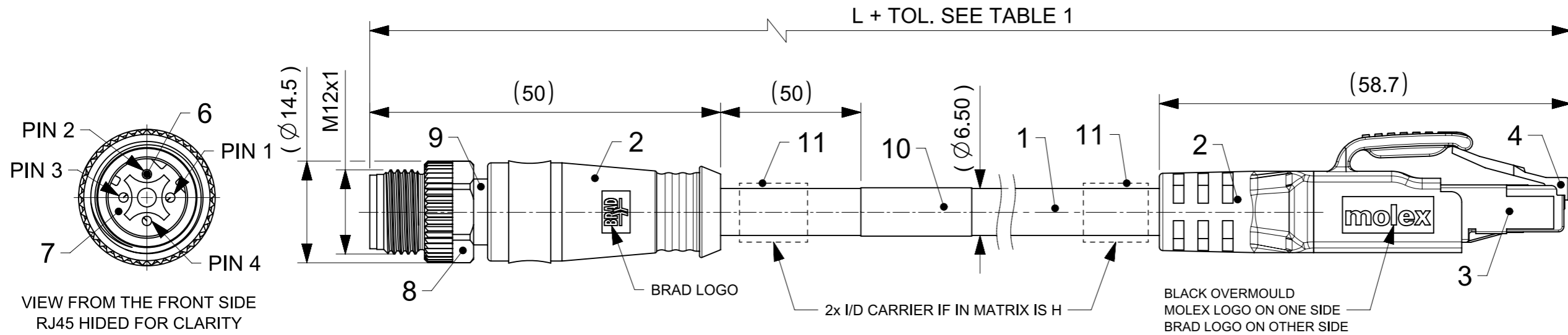
LENGTH EXAMPLES:  
005=0.5 m  
010=1 m  
150=15 m  
T100=100 m

H= 2 PCS. OF I/D Carrier

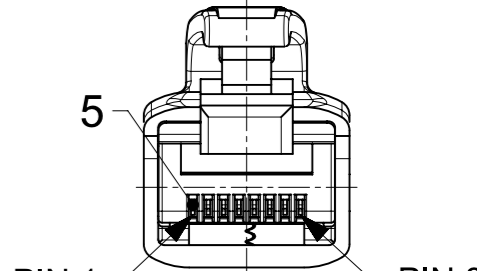
WIRING TYPE:  
A=4 Pole (STRAIGHT WIRED)



SCALE 1:2



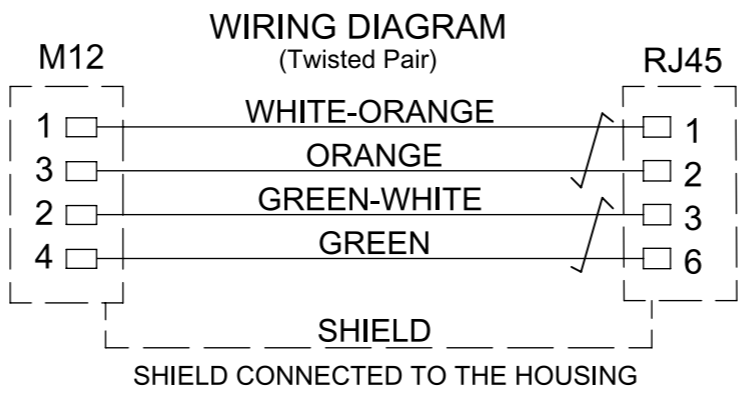
VIEW FROM THE FRONT SIDE  
RJ45 HIDDEN FOR CLARITY  
SCALE 2:1



PIN 1  
CONNECTOR PIN ASSIGNMENT  
VIEW FROM THE FRONT SIDE  
M12 HIDDEN FOR CLARITY  
SCALE 2:1

**TECHNICAL DATA :**

- M12 D-CODED TO RJ45 CAT5e CORDSET AWG24 STRAIGHT TEAL INLINE 360° SHIELDED.
- POLES : 4  
Max. VOLTAGE : 30V A.C. or 42V D.C.  
Max. CURRENT : 1.5A  
CONTACT RESISTANCE : ≤10 mΩ  
INSULATION WITHSTAND : >100MΩ  
PROTECTION CLASS M12 / RJ45 : IP67 / IP20  
TEMPERATURE RANGE : -25°C to 80°C
- TRANSMISSION CHARACTERISTICS :  
(CATEGORY) : CAT5e, EtherNET
- PACKAGING : THE CORDSETS ARE PACKED IN POLYBAG
- TRANSMISSION CHARACTERISTICS ACCORDING TO ISO/IEC 11801 CATEGORY 5e PATCH CORD PROFINET TYPE C



**BOM**

\* NOTE : ID CARRIER APPLICABLE, IF ENGINEERING No. HAS "H" (SEE TABLE1)

ITEM	QTY	DESCRIPTION	MATERIAL	FINISH/COLOR
11	2	ID CARRIER	PVC	TRANSPARENT
10	1	LABEL 2.0X1.75	VINYL	YELLOW
9	1	M12 M STR SHLD	BRASS	Ni-PLATED
8	1	NUT M12 MALE	BRASS	Ni-PLATED
7	1	INSERT 4P M12 MALE	PUR	BLACK
6	4	CONTACT 10 MALE	Cu/Ni2	GOLD OVER NICKEL
5	4	CONTACT RJ45	PHOSPHOR BRONZE	SELECTIVE GOLD
4	1	PLUG RJ45 TRANSPARENT	PC	-
3	1	SHIELD	BRASS	TIN
2	-	MOULDING MATERIAL	TPU	BLACK
1	-	CABLE 2x2x24AWG SHIELD	TPU	BLACK

**TABLE 1**

MOLEX PN	ENGINEERING NO	L (m)
1201088961	E16A06016BKM005	0.5
1201088962	E16A06016BKM010	1
1201088963	E16A06016BKM020	2
1201088964	E16A06016BKM030	3
1201088965	E16A06016BKM050	5
1201088966	E16A06016BKM100	10

**TABLE 2**

CABLE LENGTH TOLERANCES

LENGTH	TOLERANCE
0m-1m	+40 mm
>1m-5m	+60 mm
>5m-10m	+80 mm
>10m-20m	+140 mm
>20m-30m	+160 mm
>30m	+1% length

FUNCTIONAL SYMBOLS:  $\sqrt{A} = 0$ ,  $\sqrt{E} = 0$ ,  $\sqrt{V} = 0$

DIVISIONAL SYMBOLS

THIS DRAWING CONTAINS INFORMATION THAT IS PROPRIETARY TO MOLEX ELECTRONIC TECHNOLOGIES, LLC AND SHOULD NOT BE USED WITHOUT WRITTEN PERMISSION

SCALE: DIMENSION UNITS: mm, SCALE: 3:2

GENERAL TOLERANCES (UNLESS SPECIFIED): ANGULAR TOL ± 1.0°, 4 PLACES ±, 3 PLACES ±, 2 PLACES ± 0.05, 1 PLACE ± 0.3, 0 PLACES ± 0.5

DRAFT WHERE APPLICABLE MUST REMAIN WITHIN DIMENSIONS

THIRD ANGLE PROJECTION

DRAWING: A3-SIZE, SERIES: 120108

CURRENT REV DESC:

EC NO: 689781, DRWN: SSM, 2021/08/02, CHK'D: RSILLER, 2021/12/21, APPR: RSILLER, 2021/12/21

INITIAL REVISION: DRWN: SSM, 2021/08/02, APPR: RSILLER, 2021/12/21

DOCUMENT NUMBER: 1201088961, DOC TYPE: PSD, DOC PART: 000, REVISION: A

MATERIAL NUMBER: SEE TABLE 1, CUSTOMER: GENERAL MARKET, SHEET NUMBER: 1 OF 1

**molex**

CSE M12 ETH 4P DC MA STR RJ45 WSOR XXXM XM DE SHLD D6.5 TEAL

PRODUCT CUSTOMER DRAWING