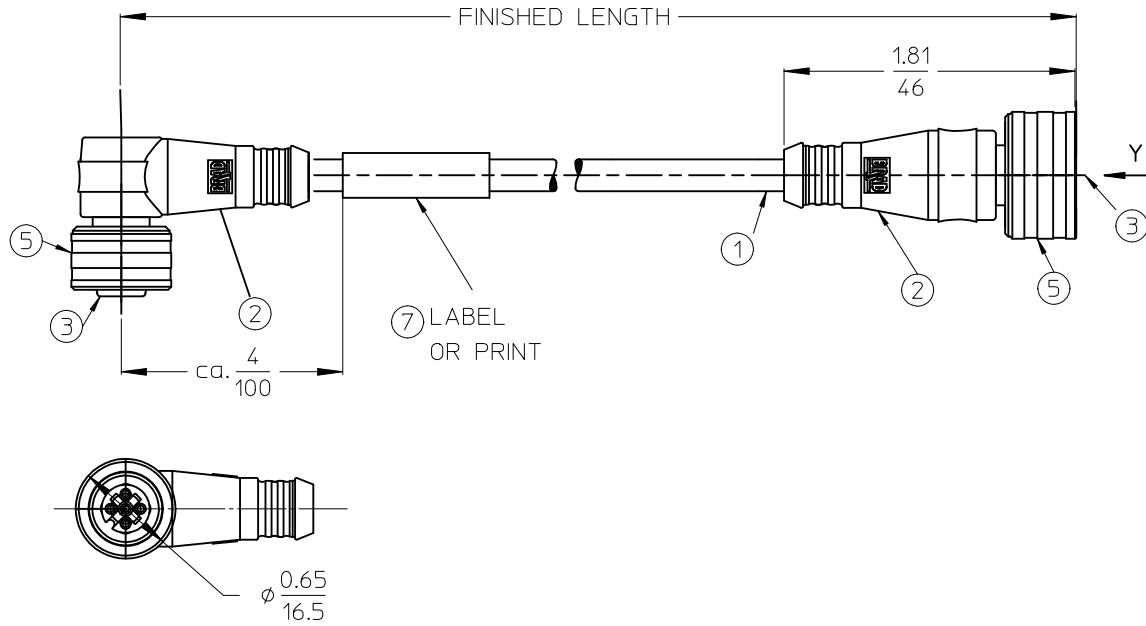
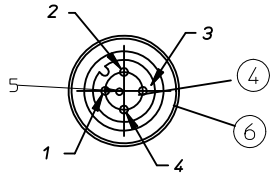
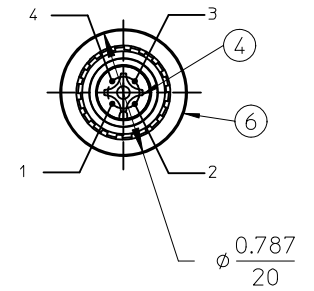


FEMALE INSERT FRONT VIEW



ULTRA LOCK FRONT VIEW



POL	MATERIAL NUMBER	ENGINEERING NUMBER	FINISHED LENGTH
3	1200800429	WW3031A09M010	3.28' +2.19 -0 [1.0M +55.6 -0]
4	1200800337	WW4031A09M010	3.28' +2.19 -0 [1.0M +55.6 -0]
5	1200800382	WW5031A09M010	3.28' +2.19 -0 [1.0M +55.6 -0]

VOLTAGE RATING	300V
AMPERAGE RATING	4A
PROTECTION	IP 68
OPERATING TEMPERATURE	-30°C / +80 °C
UL CERTIFICATION	FILE NO. E152210
CAS CERTIFICATION	FILE NO. LR6837

ITEM	COMPONENT	MATERIAL	FINISH
7	LABEL	MYLAR	BLACK/YELLOW
6	O-RING	VITON	GREEN
5	SHELL	BRASS	NICKEL PLATED
4	CONTACT	COPPER ALLOY	Au over Ni
3	INSERT	PUR	BLACK
2	OVERMOLD	PVC	YELLOW
1	CABLE #22	PVC	YELLOW

ENTER DESCRIPTION
 EC NO: WEU2010-0333
 DRWN: APOHL_WEU 2010/02/12
 CHKD: REISSNER 2010/02/11
 APPR: FPACHER 2010/02/25

QUALITY SYMBOLS

GENERAL TOLERANCES (UNLESS SPECIFIED)

	mm	INCH
4 PLACES	± ---	± ---
3 PLACES	± ---	± ---
2 PLACES	± ---	± 0.1
1 PLACE	± 0.3	± ---
ANGULAR ± ---°		

DRAFT WHERE APPLICABLE
 MUST REMAIN WITHIN DIMENSIONS

DIMENSION STYLE
IN/MM

DRAWN BY: APOHL_WEU
 DATE: 2010/02/12

CHECKED BY: REISSNER
 DATE: 2010/02/11

APPROVED BY: FPACHER
 DATE: 2010/02/24

MATERIAL NO. SEE TABLE

SCALE: METRIC
 DESIGN UNITS: METRIC
 THIRD ANGLE PROJECTION

**M12U-XP-FE-90
 XP-M-STR-XM**

MOLEX INCORPORATED

DOCUMENT NO. SD-120080-016
 SHEET NO. 1 OF 1

THIS DRAWING CONTAINS INFORMATION THAT IS PROPRIETARY TO MOLEX INCORPORATED AND SHOULD NOT BE USED WITHOUT WRITTEN PERMISSION