

# Bundling and Securing

## Cable Ties

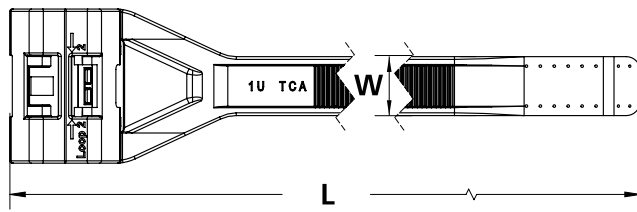
### Aerial Support Ties

#### Spacer Ties

Aerial Support Ties separate two bundles in parallel routing applications. The one-piece design, featuring a spacer and strap with bent tail, simplifies use and reduces installation time as well as inventory costs. Outside serrations along the strap prevent damage to sensitive cables. The HIRHSUV material is particularly well suited for long-term, outdoor use.

#### Features and Benefits

- UV resistant, heat stabilized and impact-resistant nylon material delivers excellent performance outdoors.
- 15+ year life expectancy for long-term reliability, less frequent servicing.
- One-piece design reduces installation time.
- Plastic offers robust performance and costs less than steel fasteners.



<b>MATERIAL</b>	Polyamide 6.6 high impact modified, heat and UV stabilized (PA66HIRHSUV)
<b>Operating Temperature</b>	-40°F to +230°F (-40°C to +110°C)
<b>Flammability</b>	UL 94 HB

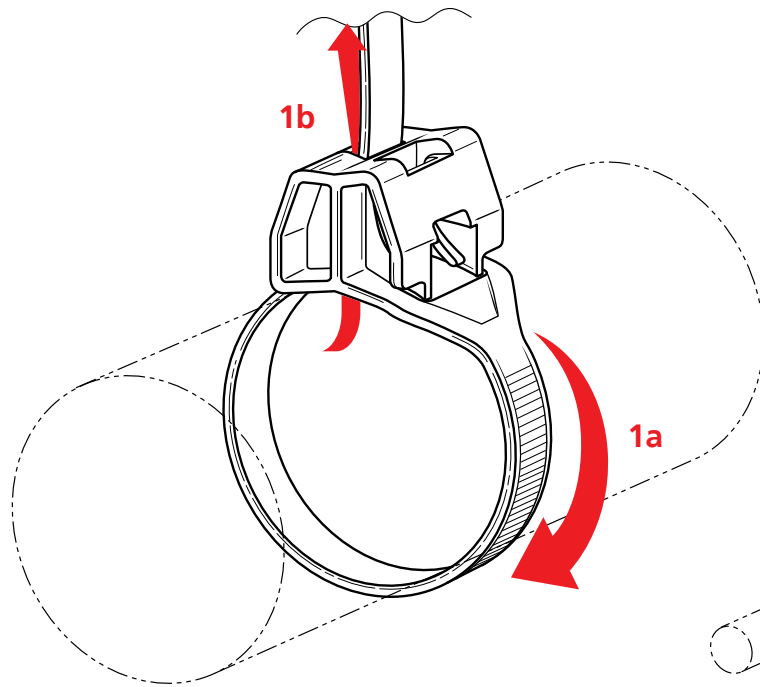


PART NO.	TYPE	Min. Tensile Strength lbs. (N)	Length (L) in. (mm)	Max. Bundle Diameter in. (mm)	Width (W) in. (mm)	Height (H) in. (mm)	Material	Color	Pkg. Qty.
111-01671	TAS120M	120.0 (535.0)	12.4 (270.0)	2.7 (70.0)	0.5 (12.7)	0.8 (19.0)	PA66HIRHSUV	Black	500
111-01672	TAS120L	120.0 (535.0)	17.4 (420.0)	4.5 (114.0)	0.5 (12.7)	0.8 (19.0)	PA66HIRHSUV	Black	500

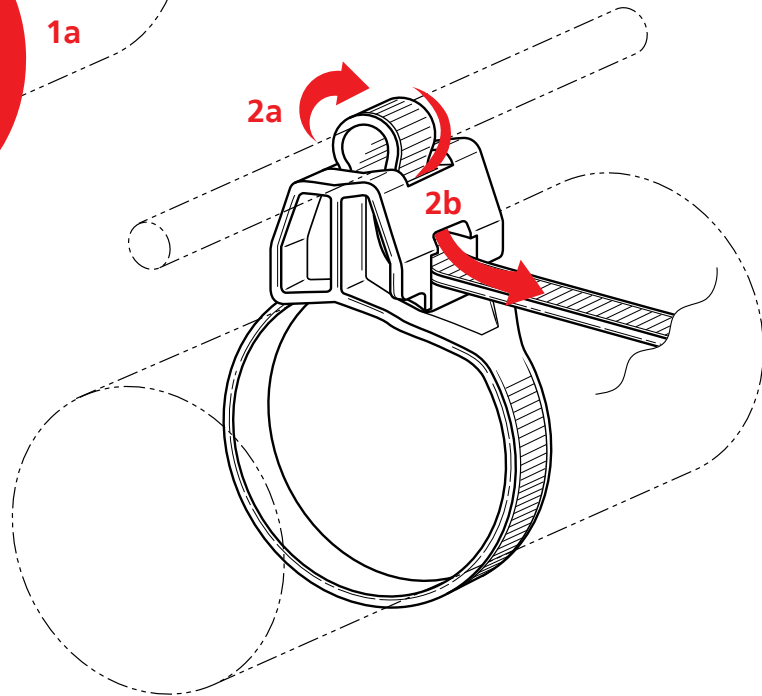
Dimensions are approximate and subject to technical changes. Use Part No. for ordering and Type for specification purposes.

Note: Predicted life expectancy is based on data collected in a controlled testing environment. HellermannTyton makes no guarantee of results and assumes no obligation or liability in connection with this information.

### Instructions



Wrap strap around the cable, with the strap serrations on the outside (1a) and insert strap upward through slot marked "Loop1" (1b). Pull strap tight around cable.



Loop strap over aerial support wire (2a) and downward through slot marked "Loop2" (2b). Pull strap and tighten around aerial support wire.

# HellermannTyton

#### HellermannTyton North American Corporate Headquarters

7930 N. Faulkner Rd, PO Box 245017  
 Milwaukee, WI 53224-9517  
 Phone: (414) 355-1130, (800) 537-1512  
 Fax: (414) 355-7341, (800) 848-9866  
 email: corp@htamericas.com  
 www.hellermann.tyton.com  
**IATF 16949, ISO 9001, and ISO 14001 Certified**

#### HellermannTyton Canada

Unit #4, 205 Industrial Parkway North  
 Aurora, Ontario L4G 4C4 Canada  
 Phone: (800) 661-2461  
 Fax: (800) 390-3904  
 email: sales@hellermanntyton.ca

#### HellermannTyton Mexico

Anillo Periferico Sur 7980 Edificio 6A  
 Parque Industrial Tecnológico II  
 Santa María Tequepexpan  
 Tlaquepaque, Jalisco, Mexico 45601  
 Phone: 011-52-33-3-133-9880  
 Fax: 011-52-33-3-133-9861  
 email: info@hellermanntyton.com.mx  
**ISO 9001 Certified**

**Warranty Policy** HellermannTyton products are warranted to be free from defects in material and workmanship at the time sold by us; but our obligation under this warranty and that of the seller is limited to the replacement of the product, and neither we nor the seller are bound by any other warranty, expressed, implied or statutory. Under no circumstances are we or the seller liable for any loss, damage, expenses or consequential damages of any kind arising out of the use or inability to use these products. All are sold with the understanding that the user will test them in actual use and determine their adaptability for the intended uses.