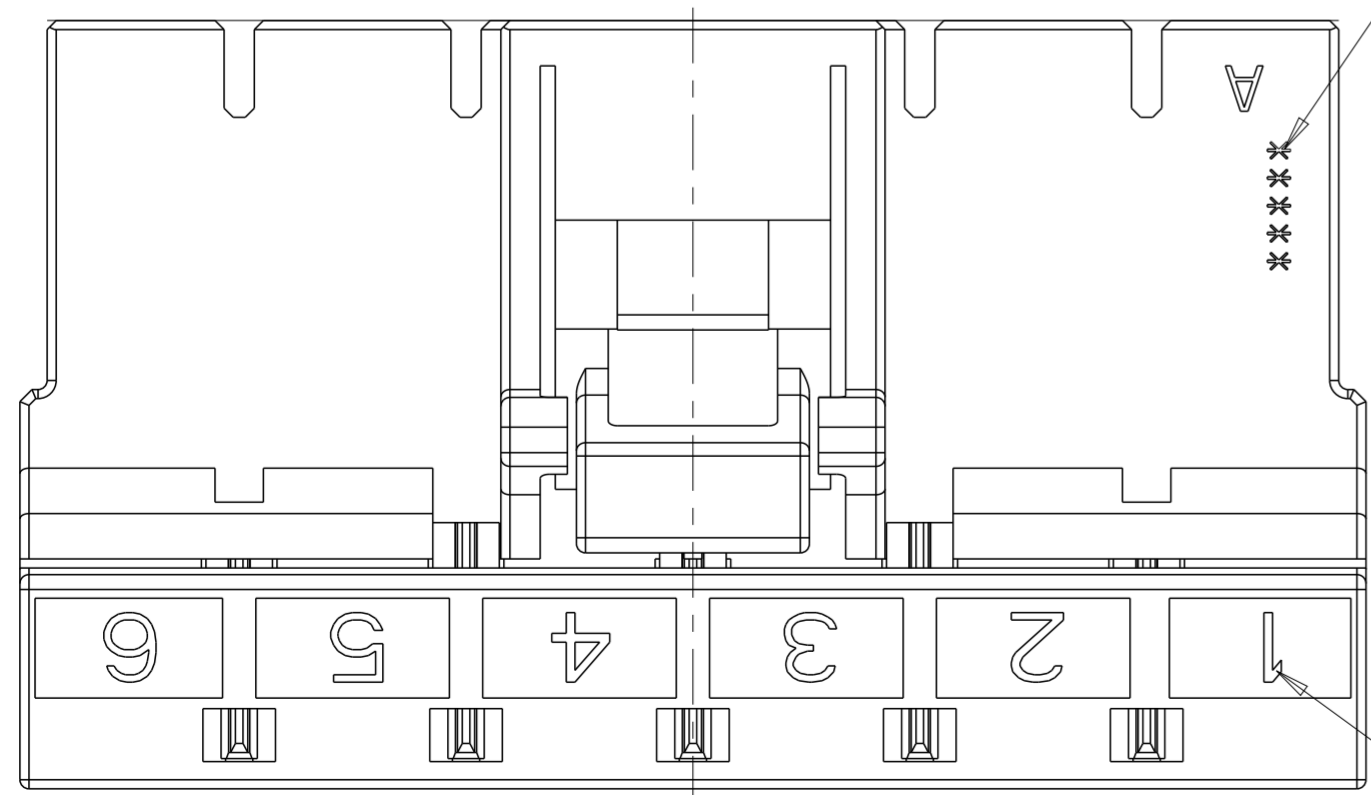
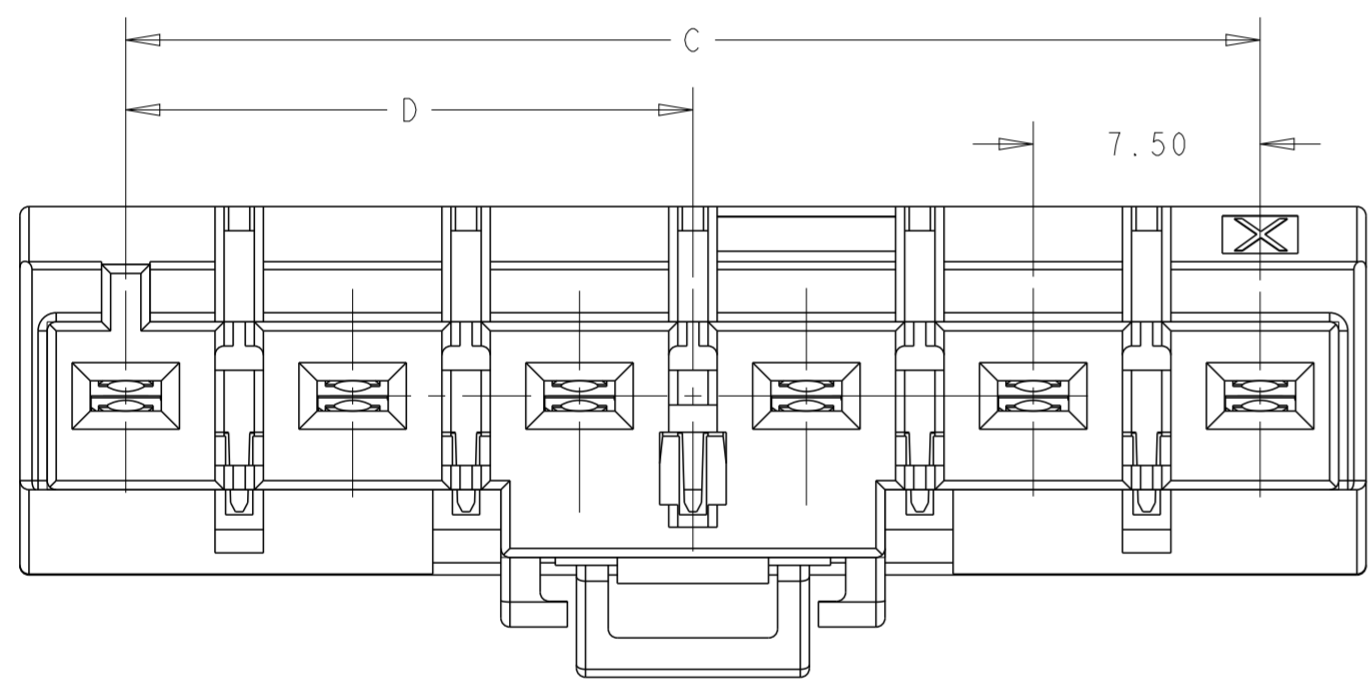
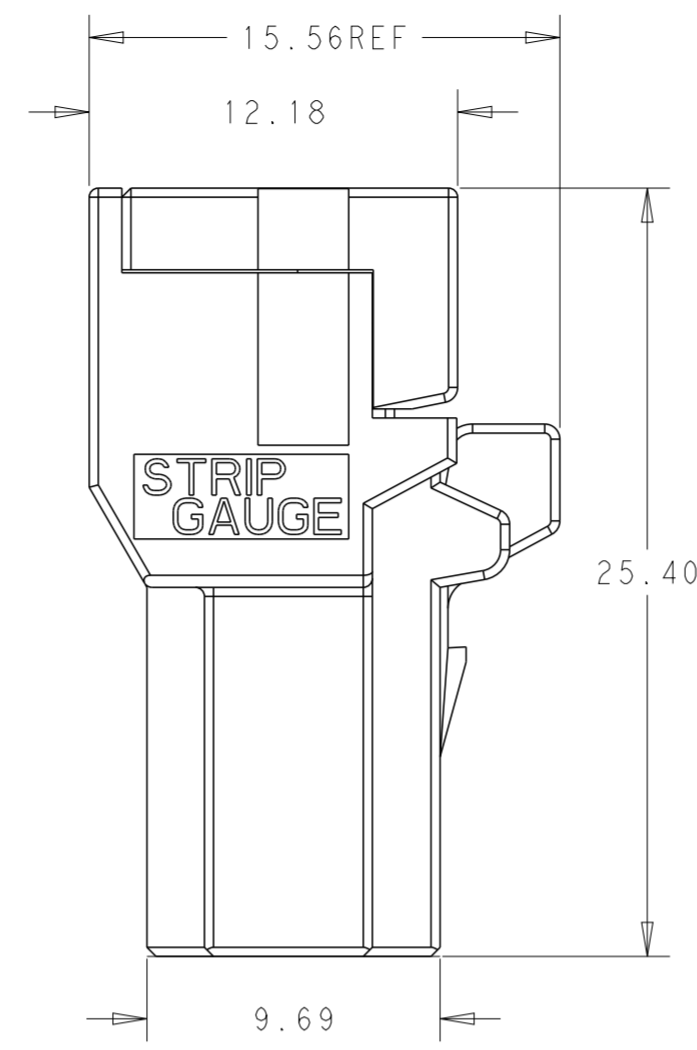
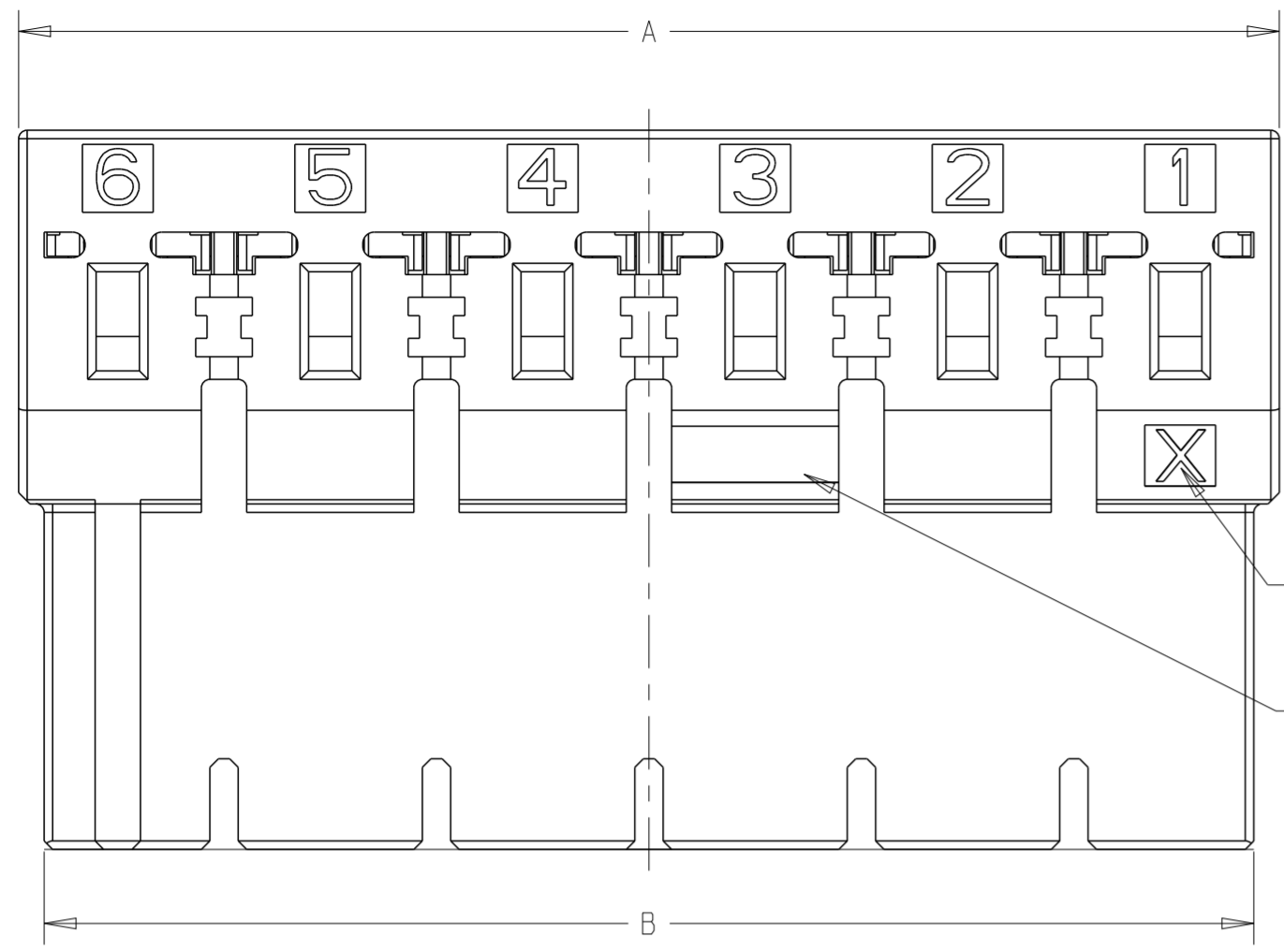


THIS DRAWING IS UNPUBLISHED. RELEASED FOR PUBLICATION 20
 © COPYRIGHT 20 BY - ALL RIGHTS RESERVED.



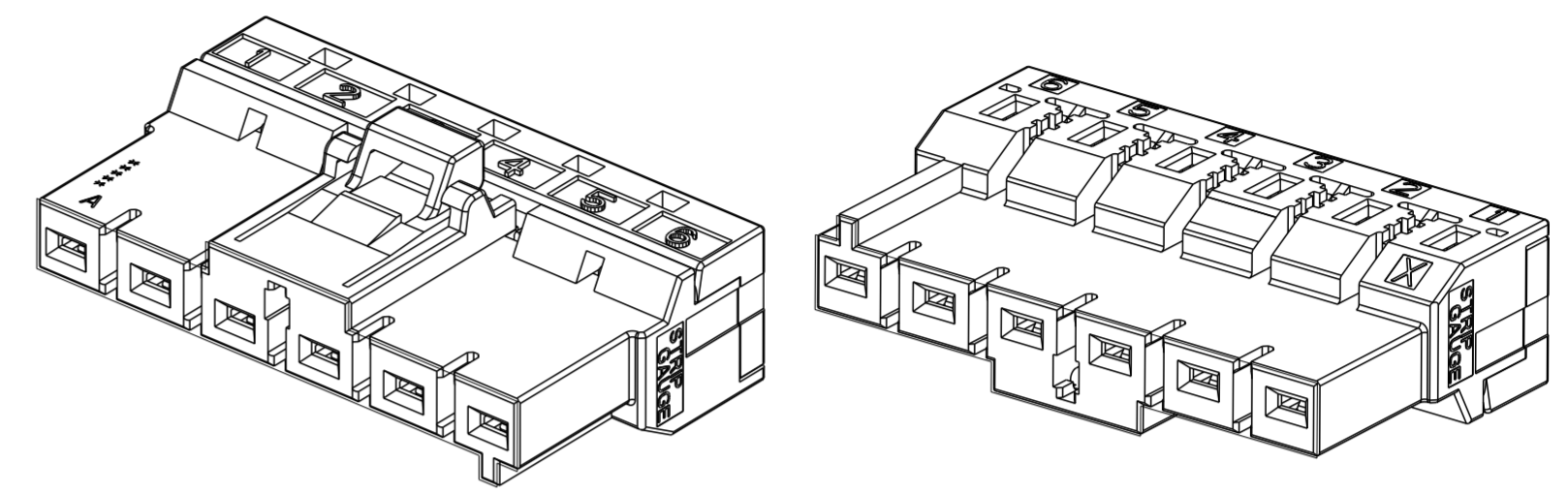
KEY MARK
 COMPANY LOGO

DATE CODE (FIRST 5 DIGITS)
 ASSEMBLY MACHINE ID (THE REST)

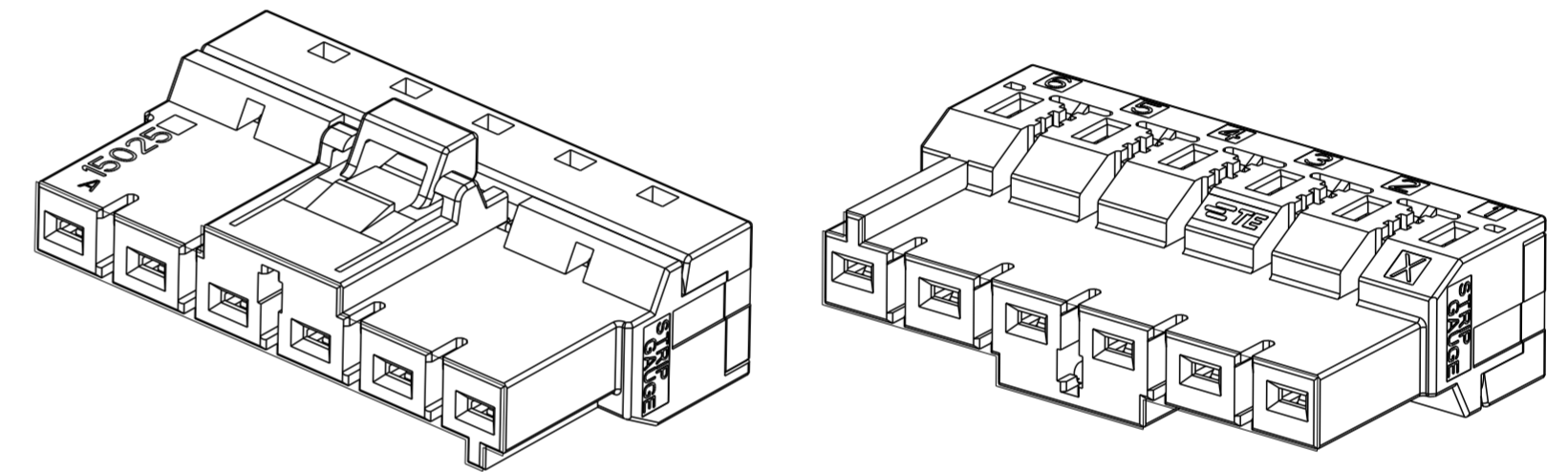
MARKING

AS SHOWN 1-2271454-6

REVISIONS				
P	LTR	DESCRIPTION	DATE	APVD
B		REVISED	25JUN2018	K.T E.I
C		REVISED PER ECR-19-016272	21OCT2019	T.S E.I
D		REVISED	02JUL2020	RI EI



1-2271454-6



2271454-6

- ① NOTE DELETED
- ② RATED VOLTAGE: 600VAC,
- ③ APPLICATION CABLE: 22AWG~14AWG
- ④ OPERATION TEMPERATURE: -30°C~105°C
- ⑤ CONTACT RESISTANCE: 10mΩ MAX. INITIAL
- ⑥ INSULATION RESISTANCE: 1000MΩ MIN. INITIAL
- ⑦ NOTE DELETED

X	W/O	6PIN	18.75	37.50	42.70	44.50	2271454-6
X	WITH	6PIN	18.75	37.50	42.70	44.50	1-2271454-6
KEY MARK	MARKING	PINS	DIM.D	DIM.C	DIM.B	DIM.A	ASSEMBLY P/N

THIS DRAWING IS A CONTROLLED DOCUMENT.

DIMENSIONS: mm	TOLERANCES UNLESS OTHERWISE SPECIFIED: 0 PLC ± 1 PLC ±0.50 2 PLC ±0.30 3 PLC ± 4 PLC ± ANGLES ± FINISH	DWN Ning Wang 08JAN2015	NAME STE TE Connectivity
		CHK Kobby Zhao 08JAN2015	
		APVD Xiang Xu 08JAN2015	SIZE A2
MATERIAL		PRODUCT SPEC 108-78997	CAGE CODE -
		APPLICATION SPEC 411-78272	DRAWING NO. C-2271454
		WEIGHT -	RESTRICTED TO -
		Customer Drawing	SCALE 2:1 SHEET 1 OF 1 REV D