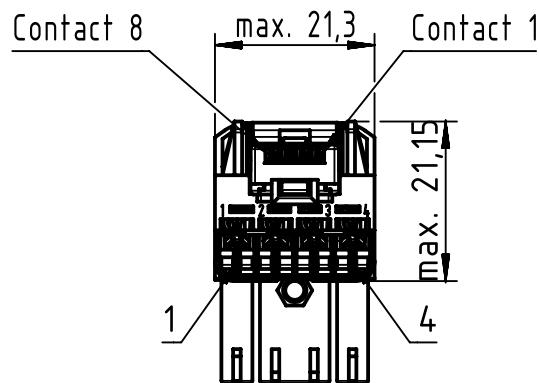
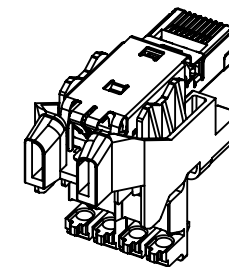
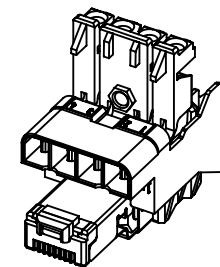
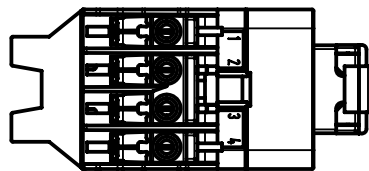
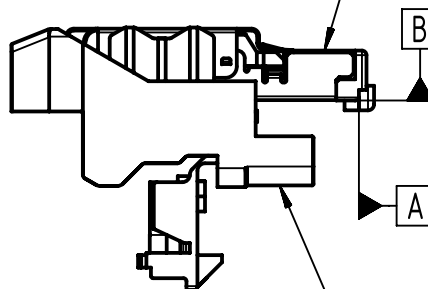


A



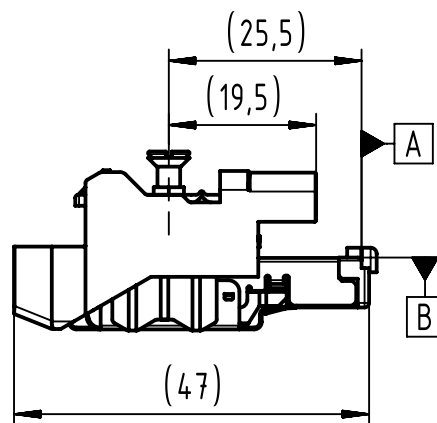
Cat. 6 insert



Han 3A adaptor

- For solid and stranded conductors
AWG 27 up to AWG 22
- Max. wire diameter 1.5mm
- Cat.6 performance class EA
suitable for 1/10 Gigabit Ethernet
- Temperature range -40°C up to +70°C
- 750 mating cycles

Han 3A adapter with closed lever:



B

C

D

	All rights reserved Department EL PD	All Dimensions in mm Original Size DIN A4		Scale 1:1	Free size tol.	Ref. Sub.
		Created by PREOTU	Inspected by PRIESTER	Standardisation HOFFMANN	Date 2019-03-21	State Final Release
HARTING Electronics GmbH D-32339 Espelkamp		Title Han3A RJ45 Hybrid 10G insert 8+4p IDC				Doc-Key / ECM-Nr. 100191439/UGD/002/D 500000148583
		Type TB	Number 09451001760		Rev. D	Page 1/1