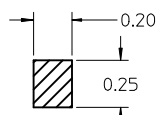
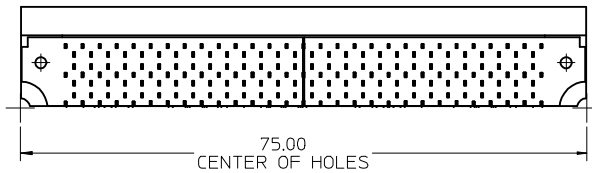


NOTES

- MATERIAL  
CONNECTOR HOUSING: GLASS FILLED LCP, 94 V-0, COLOR BLACK  
OVERMOLDING ON TERMINAL: GLASS FILLED LCP, COLOR: BLACK  
TERMINALS: COPPER ALLOY, SPRING TEMPER
- FINISH  
TERMINALS: CONTACT AREA: 0.75  $\mu$ m MIN. HARD GOLD  
OVER 1.25  $\mu$ m MIN. NICKEL.  
75908-0001 COMPLIANT AREA: 0.75-150  $\mu$ m TIN  
OVER 0.75-150  $\mu$ m NICKEL  
75908-0002 COMPLIANT AREA: 0.75-155  $\mu$ m 90/10  
TIN LEAD OVER 0.75-150  $\mu$ m NICKEL
- REFER TO PS-75800-999 PRODUCT SPEC FOR ALL ELECTRICAL, MECHANICAL AND ENVIRONMENTAL SPECIFICATIONS.
- REFER TO PK-75800-203 FOR ALL PACKAGING SPECIFICATIONS.
- REFER TO AS-75800-XXX FOR BOARD APPLICATION INFORMATION.
- DATE CODE AND PART NUMBER TO BE LASER ETCHED OR APPLIED WITH A LABEL. INFO TO INCLUDE PART NUMBER, MANUFACTURING FACILITY AND DATE CODE IN THE FORMAT OF WEEK AND LAST TWO DIGITS OF THE YEAR, WWYY.



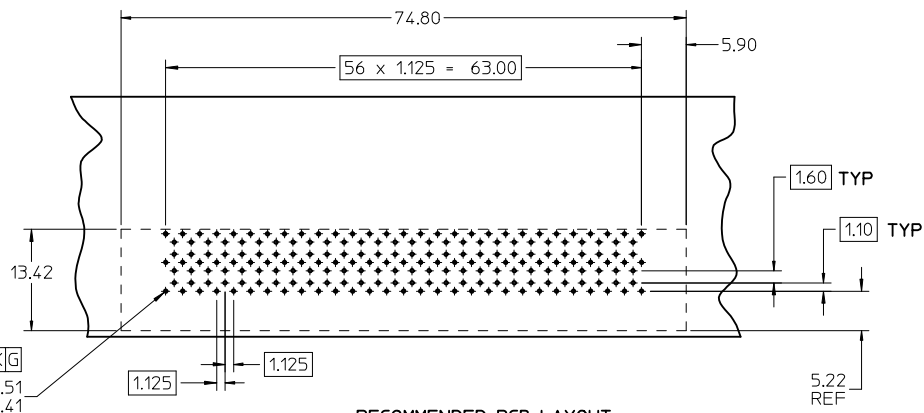
SECTION Y-Y  
TERMINAL TAIL  
CROSS SECTION



PART NUMBER	COMPLIANT PIN PLATING
75908-0001	TIN
75908-0002	90/10 TIN LEAD

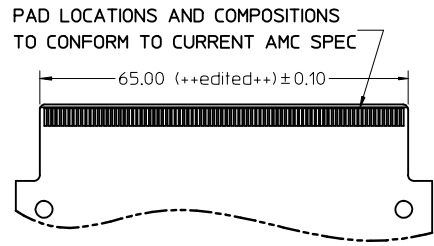
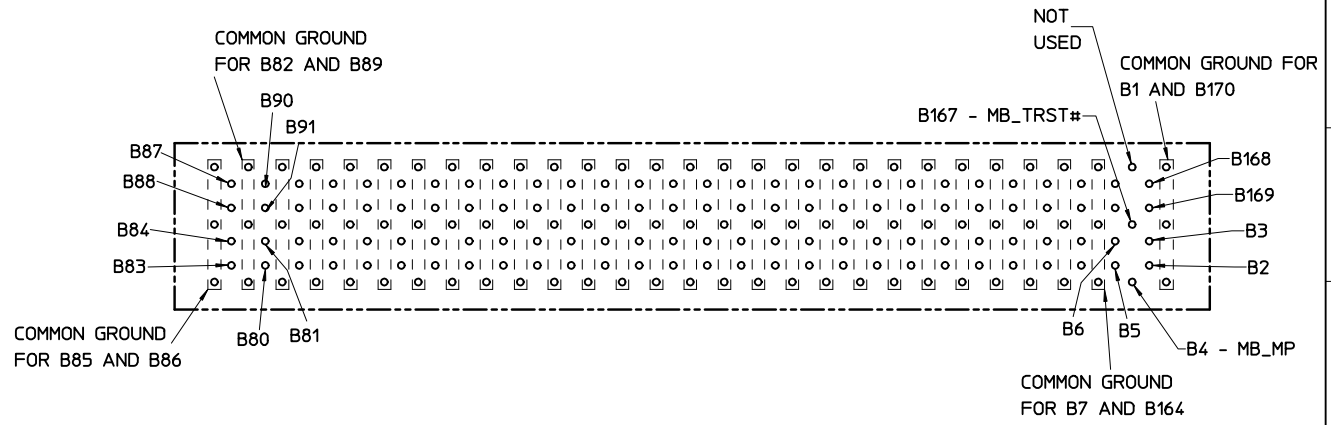
SOLID MODEL NUMBER EM-75800-001	ADDED LABEL OPTION EC NO: UCP2009-1176 DRWN:HAVERY 2008/11/07 CHKD: 2008/11/11 APPR:MBANAKIS 2008/11/12	QUALITY SYMBOLS ▽=0 ▽=0
------------------------------------	---	-------------------------------

GENERAL TOLERANCES (UNLESS SPECIFIED)	DIMENSION STYLE MM ONLY	SCALE 2:1	DESIGN UNITS METRIC	THIRD ANGLE PROJECTION															
<table border="1"> <thead> <tr> <th></th> <th>mm</th> <th>INCH</th> </tr> </thead> <tbody> <tr> <td>4 PLACES</td> <td>± ---</td> <td>± ---</td> </tr> <tr> <td>3 PLACES</td> <td>± ---</td> <td>± .005</td> </tr> <tr> <td>2 PLACES</td> <td>± 0.13</td> <td>± .010</td> </tr> <tr> <td>1 PLACE</td> <td>± 0.25</td> <td>± ---</td> </tr> </tbody> </table>		mm	INCH	4 PLACES	± ---	± ---	3 PLACES	± ---	± .005	2 PLACES	± 0.13	± .010	1 PLACE	± 0.25	± ---	DRAWN BY _____ DATE _____	TITLE	ADVANCED MC B+ STYLE CONNECTOR SALES DRAWING FOR NO ALIGNMENT PEGS	
	mm	INCH																	
4 PLACES	± ---	± ---																	
3 PLACES	± ---	± .005																	
2 PLACES	± 0.13	± .010																	
1 PLACE	± 0.25	± ---																	
	CHECKED BY _____ DATE _____	MOLEX INCORPORATED																	
	APPROVED BY _____ DATE _____	MATERIAL NO. 75908-0001	DOCUMENT NO. SD-75908-001	SHEET NO. 1 OF 2															
DRAFT WHERE APPLICABLE MUST REMAIN WITHIN DIMENSIONS	THIS DRAWING CONTAINS INFORMATION THAT IS PROPRIETARY TO MOLEX INCORPORATED AND SHOULD NOT BE USED WITHOUT WRITTEN PERMISSION																		

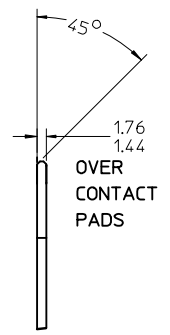


FINISHED PLATED THRU-HOLE  
 .57mm DRILLED HOLE  
 0.0254 - 0.0635  
 ELECTRO DEPOSITED COPPER

RECOMMENDED PCB LAYOUT COMPONENT SIDE



PARTIAL1 SCALE 1.5:1  
 MODULE BOARD



PARTIAL3 SCALE 1.5:1

SOLID MODEL NUMBER EM-75800-001	SEE PAGE 1 EC NO: UCP2009-1176 DRWN:HAVERY CHKD: APPR:MBANAKIS	REVISIONS DESCRIPTION	QUALITY SYMBOLS ▽=0 ▽=0	GENERAL TOLERANCES (UNLESS SPECIFIED)		DIMENSION STYLE <b>MM ONLY</b>	SCALE 2:1	DESIGN UNITS METRIC	THIRD ANGLE PROJECTION
				mm	INCH	DRAWN BY	DATE	TITLE	
				4 PLACES ± --- ± ---	3 PLACES ± --- ± .005	CHECKED BY	DATE	ADVANCED MC B+ STYLE CONNECTOR SALES DRAWING FOR NO ALIGNMENT PEGS	
				2 PLACES ± 0.13 ± .010	1 PLACE ± 0.25 ± ---	APPROVED BY	DATE		
ANGULAR ±1/2°				MATERIAL NO. <b>75908-0001</b>	DOCUMENT NO. <b>SD-75908-001</b>	MOLEX INCORPORATED			
DRAFT WHERE APPLICABLE MUST REMAIN WITHIN DIMENSIONS				SIZE C	THIS DRAWING CONTAINS INFORMATION THAT IS PROPRIETARY TO MOLEX INCORPORATED AND SHOULD NOT BE USED WITHOUT WRITTEN PERMISSION				
						SHEET NO. 2 OF 2			