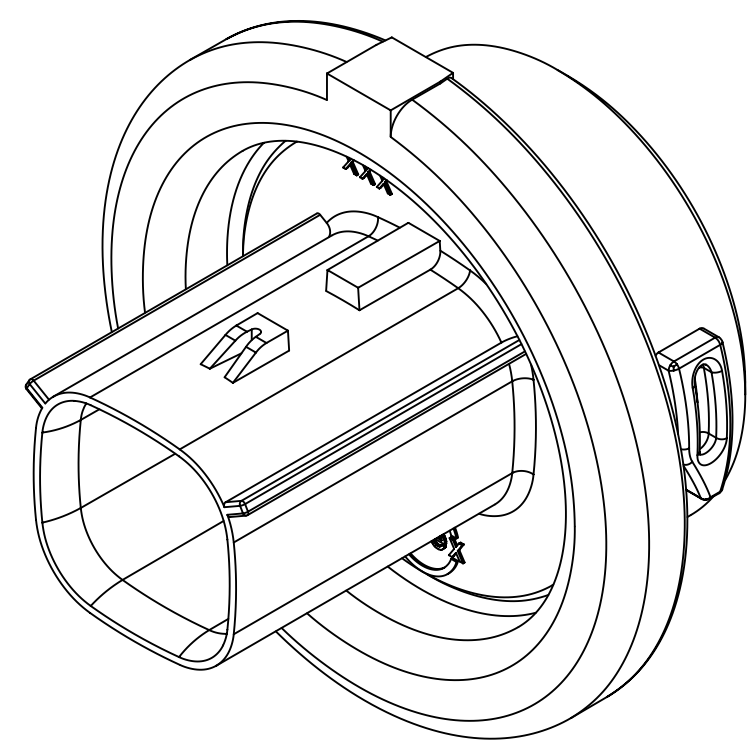
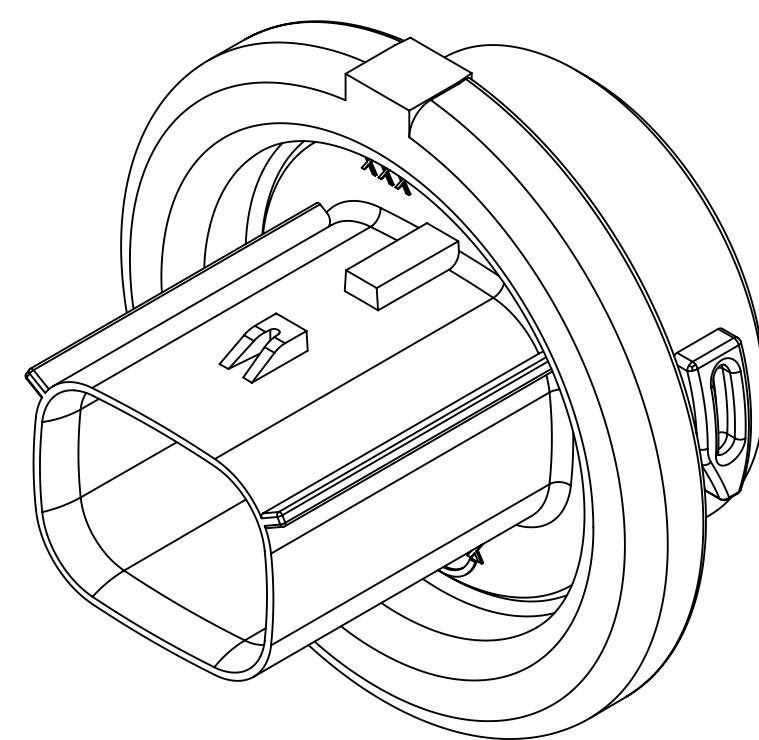


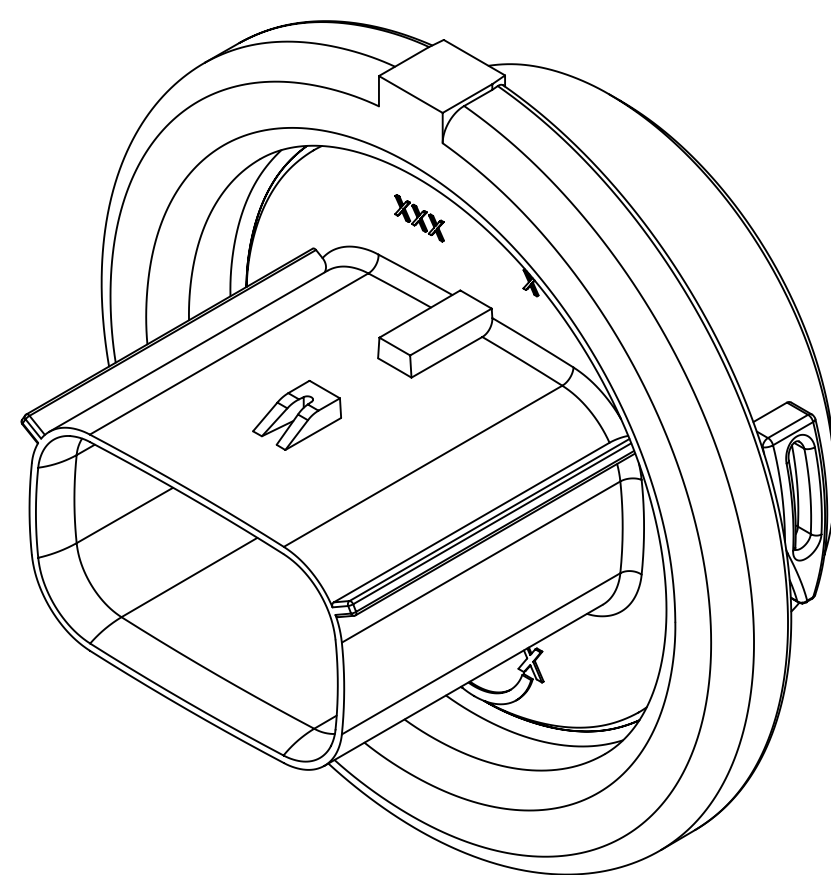
TABLE OF CONTENTS	
SHEET NO.	SHEET DESCRIPTION
1	NOTES
2	BOM SHEET 1
3	BOM SHEET 2
4	6/8 CKT KEY OPTION CONFIGURATIONS
5	12/16 CKT KEY OPTION CONFIGURATIONS
6	BULKHEAD CONNECTOR
7	6/8 CKT BULKHEAD CONNECTOR INTERFACE
8	6/8 CKT BULKHEAD CONNECTOR INTERFACE
9	12/16 CKT BULKHEAD CONNECTOR INTERFACE
10	12/16 CKT BULKHEAD CONNECTOR INTERFACE



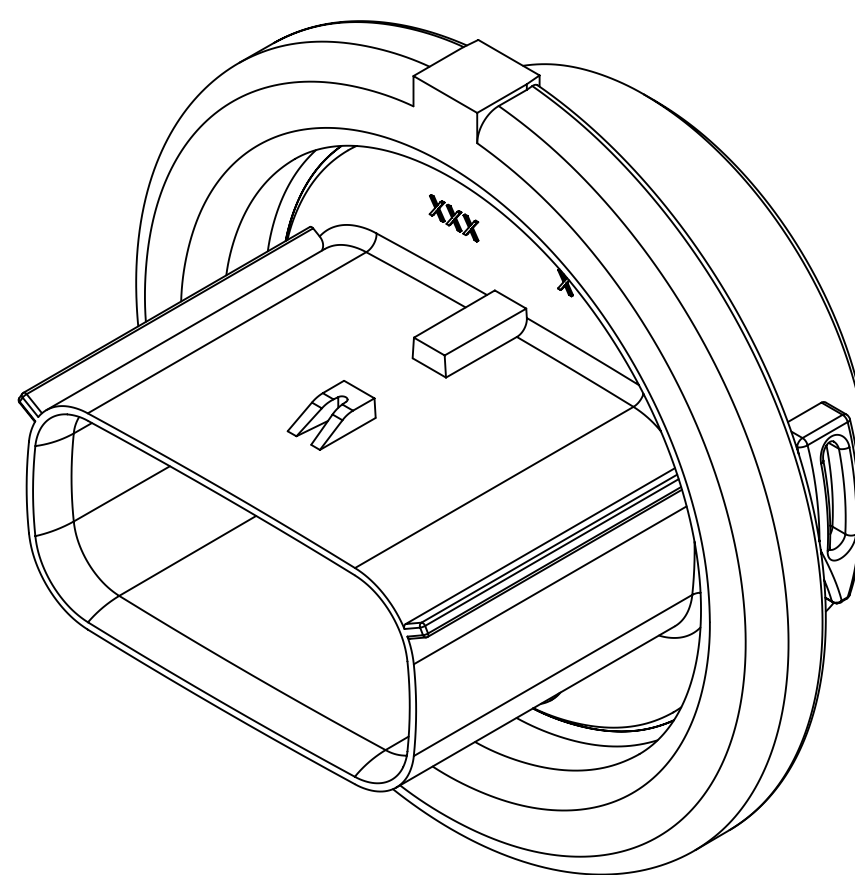
6 CIRCUIT



8 CIRCUIT



12 CIRCUIT



16 CIRCUIT

NOTES: VALID UNLESS OTHERWISE SPECIFIED

1. GENERAL:

- a. APPLICATION SPECIFICATION SEE: AS-34840-001
  - CONTAINS: PRODUCT INTRODUCTION, PRODUCT SUMMARY, CONNECTOR ASSEMBLY, PACKAGING INFORMATION, CONNECTOR MATING, SERVICE INSTRUCTIONS, ELECTRICAL CONTINUITY CHECKING, CRIMPING, AND TROUBLESHOOTING.
  - DESIGNED TO MATE WITH RECEPTACLE HOUSING ASSEMBLY AS SPECIFIED IN DRAWING XXXX
  - FOR 1.5mm BLADE TERMINALS TO BE USED WITH THIS ASSEMBLY. SEE MOLEX DRAWING SD-33000-001.
  - SYSTEM TO BE USED WITH WIRE WITHIN DIAMETER RANGE OF TBD TO TBD.
  - ASSEMBLY SHIPPED WITH PLR IN PRE-LOCK POSITION (SEE SECTION A-A PRE-LOCK).
  - IN THE EVENT THAT THE PLR IS FOUND IN THE SEATED (FINAL LOCK) POSITION, REFER TO MOLEX SPECIFICATION PS-34646-001, AVAILABLE AT [www.molex.com](http://www.molex.com) <<http://www.molex.com>>.
- b. PRODUCT SPECIFICATION SEE: PS-34840-001
  - CONTAINS: PRODUCT INTRODUCTION, PRODUCT SUMMARY, RATINGS (CURRENT, TEMPERATURE, SEALING, AND FLAMMABILITY), AND PRODUCT VALIDATION.
- c. PACKAGING SPECIFICATION PER MOLEX DRAWING: PK-31301-615
- d. PARTS MUST BE IN COMPLIANCE TO MOLEX CHEMICAL SUBSTANCES FOR PRODUCTS AND PACKAGING SPECIFICATION: ES-40000-5016
- e. DATA MUST BE SUBMITTED UNDER THE MOLEX PART NUMBER TO IMDS (COMPANY ID#13255)

2. DESIGN - MATERIALS:

- a. SEE BOM TABLE

3. DESIGN - GEOMETRY:

- a. THIS IS A 100% CAD GENERATED PART. THE CAD MATHEMATICAL DATA IS THE MASTER FOR THIS PART. FOR DIMENSIONAL OR ANY INFORMATION NOT SHOWN ON THIS DRAWING, ANALYZE THE CAD MODEL.
- b. GEOMETRIC DIMENSIONS AND TOLERANCES PER ASME Y14.5M - 2009
- c. EDGES AND UNDIMENSIONED DETAILS PER ISO13715
- d. CORNERS SHOWN AS SHARP TO BE R 0.2 MAX.
- e. LETTERING SHALL BE 0.15 MAX RAISED IN 0.25 MAX RECESS PAD. THIS INCLUDES RECYCLING CODE, CAVITY ID, VENDOR IDENTIFICATION, AND CUSTOMER MATERIAL NUMBER.
- f. VISUAL DEFECTS SHALL MEET COSMETIC STANDARD PS-45499-002 (CLASS B) CAD MODEL.
- g. LASER MARKING:
  - PART NUMBER
  - DATE CODE: DDDYY
  - MANUFACTURING EQUIPMENT NUMBER

B7	ADDED NOTES FOR INTERFACE ON SHEET 7 AND SHEET 9
B6	-UPDATED LASER MARK INFORMATION IN NOTE 3g ON SHEET 1; -ADDED LASER MARK FORMAT INTO VIEW ON SHEET 6;
B5	UPDATED THE PRODUCTION TOOL STATUS IN BOM CHART ON SHEET 2 AND SHEET 3
B4	ADDED PART NUMBER OF UPDATED PLR
B3	UPDATED PART STATUS
B2	ADDED BASIC DIMENSION ON 6/8 CKT ICD
B1	UPDATED 12/16 CKT PART STATUS
B	ADDED NOTE 4
A	OK TO TOOL 6 & 8 CKT
4	ADDED 6/8 CKT PER CP11E UPDATES
3	UPDATED FORMAT
2	DESIGN RELEASE
1	QUOTE ONLY
REV	DESCRIPTION

INSPECTION BALLOON NUMBER LOG	
PER DRAWING REVISION: B6	
LAST BALLOON NUMBER USED: 30	
ADDED BALLOON NUMBERS:	
REMOVED BALLOON NUMBERS: NONE	

SYMBOLS		THIS DRAWING CONTAINS INFORMATION THAT IS PROPRIETARY TO MOLEX ELECTRONIC TECHNOLOGIES, LLC AND SHOULD NOT BE USED WITHOUT WRITTEN PERMISSION	
▽ = 0	DIMENSION UNITS	SCALE	CURRENT REV DESC:
▽ = 0	mm	2:1	
▽ = 0	GENERAL TOLERANCES (UNLESS SPECIFIED)		
▽ = 0	ANGULAR TOL	± 3.0°	
▽ = 0	4 PLACES	±	EC NO: 625506
▽ = 0	3 PLACES	±	DRWN: WKHE 2019/10/11
▽ = 0	2 PLACES	± 0.1	CHK'D: JDENG02 2019/10/22
▽ = 0	1 PLACE	± 0.2	APPR: JDENG02 2019/10/22
▽ = 0	0 PLACES	±	INITIAL REVISION:
▽ = 0	DRAFT WHERE APPLICABLE MUST REMAIN WITHIN DIMENSIONS		DRWN: MVANSLAMBROU 2010/10/01
▽ = 0	THIRD ANGLE PROJECTION		APPR: VKOSHY 2010/10/05
		DRAWING	SERIES
		D-SIZE	34840
DOCUMENT STATUS		MATERIAL NUMBER	CUSTOMER
P1	RELEASE DATE	SEE TABLE	GENERAL MARKET
2019/10/22	03:24:46	SHEET NUMBER	
		1 OF 10	

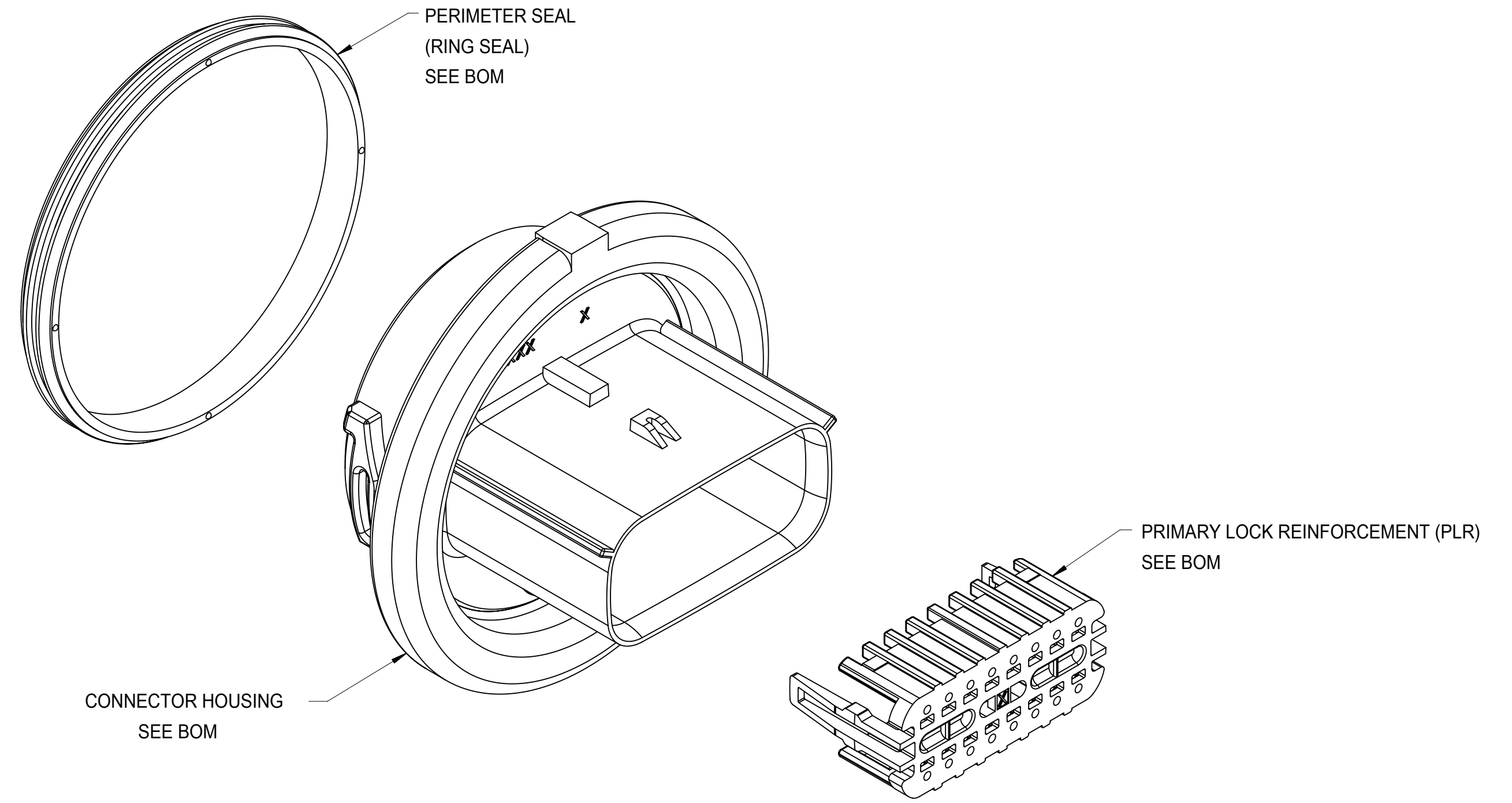
**molex**

MX150 DUAL ROW  
BULKHEAD TWIST-LOCK CONNECTOR ASSEMBLY

PRODUCT CUSTOMER DRAWING

DOCUMENT NUMBER	DOC TYPE	DOC PART	REVISION
SD-34840-001	PSD	001	B7

8 CKT KEY D, STONE GRAY	34840-4440													D	P	R	SALEABLE
8 CKT KEY C, DARK GRAY	34840-4430											C			P	R	SALEABLE
8 CKT KEY B, LIGHT GRAY	34840-4420											B			P	R	SALEABLE
8 CKT KEY A, BLACK	34840-4410											A			P	R	SALEABLE
8 CKT KEY D, STONE GRAY	34840-4040													D	P	R	PLANNED OBSOLESCENCE
8 CKT KEY C, DARK GRAY	34840-4030													C	P	R	PLANNED OBSOLESCENCE
8 CKT KEY B, LIGHT GRAY	34840-4020													B	P	R	PLANNED OBSOLESCENCE
8 CKT KEY A, BLACK	34840-4010													A	P	R	PLANNED OBSOLESCENCE
6 CKT KEY D, STONE GRAY	34840-3440					D		P								R	SALEABLE
6 CKT KEY C, DARK GRAY	34840-3430					C		P								R	SALEABLE
6 CKT KEY B, LIGHT GRAY	34840-3420					B		P								R	SALEABLE
6 CKT KEY A, BLACK	34840-3410	A						P								R	SALEABLE
6 CKT KEY D, STONE GRAY	34840-3040					D	P									R	PLANNED OBSOLESCENCE
6 CKT KEY C, DARK GRAY	34840-3030					C	P									R	PLANNED OBSOLESCENCE
6 CKT KEY B, LIGHT GRAY	34840-3020					B	P									R	PLANNED OBSOLESCENCE
6 CKT KEY A, BLACK	34840-3010	A				P										R	PLANNED OBSOLESCENCE
ASSEMBLY DESCRIPTION	ASSEMBLY PART NUMBER	PRODUCTION TOOL STATUS															



6/8 CKT RING SEAL	LIGHT BLUE	INHERENTLY LUBRICATED SILICONE
UPDATED 8 CKT PLR	NATURAL	SPS/NYLON GF20
8 CKT PLR	NATURAL	SPS/NYLON GF20
8 CKT HOUSING KEYING OPTION D	STONE GRAY	SPS/NYLON GF20
8 CKT HOUSING KEYING OPTION C	DARK GRAY	SPS/NYLON GF20
8 CKT HOUSING KEYING OPTION B	LIGHT GRAY	SPS/NYLON GF20
8 CKT HOUSING KEYING OPTION A	BLACK	SPS/NYLON GF20
UPDATED 6 CKT PLR	NATURAL	SPS/NYLON GF20
6 CKT PLR	NATURAL	SPS/NYLON GF20
6 CKT HOUSING KEYING OPTION D	STONE GRAY	SPS/NYLON GF20
6 CKT HOUSING KEYING OPTION C	DARK GRAY	SPS/NYLON GF20
6 CKT HOUSING KEYING OPTION B	LIGHT GRAY	SPS/NYLON GF20
6 CKT HOUSING KEYING OPTION A	BLACK	SPS/NYLON GF20
DESCRIPTION	COLOR	MATERIAL

BOM/APPLICABLE COMPONENTS TABLE

ABREVIATION	COMPONENT
A	HOUSING KEY A
B	HOUSING KEY B
C	HOUSING KEY C
D	HOUSING KEY D
P	PLR (STANDARD)/UPDATED PLR
R	RING SEAL

THIS DRAWING CONTAINS INFORMATION THAT IS PROPRIETARY TO MOLEX ELECTRONIC TECHNOLOGIES, LLC AND SHOULD NOT BE USED WITHOUT WRITTEN PERMISSION													
SYMBOLS		DIMENSION UNITS		SCALE		CURRENT REV DESC:							
▽ = 0		mm		2:1		EC NO: 625506							
▽ = 0		GENERAL TOLERANCES (UNLESS SPECIFIED)						DRWN: WKHE 2019/10/11					
▽ = 0		ANGULAR TOL ± 3.0°						CHK'D: JDENG02 2019/10/22					
▽ = 0		4 PLACES ±						APPR: JDENG02 2019/10/22					
▽ = 0		3 PLACES ±						INITIAL REVISION:					
▽ = 0		2 PLACES ± 0.1						DRWN: MVANSLAMBROU 2010/10/01					
▽ = 0		1 PLACE ± 0.2						2010/10/05					
▽ = 0		0 PLACES ±						APPR: VKOSHY					
■ = 0		DRAFT WHERE APPLICABLE		THIRD ANGLE PROJECTION		DRAWING		SERIES		MATERIAL NUMBER			
▽ = 0		MUST REMAIN WITHIN DIMENSIONS		D-SIZE		34840		SEE TABLE		GENERAL MARKET			
DOCUMENT STATUS				P1		RELEASE DATE		2019/10/22		03:24:46			
DOCUMENT NUMBER				DOC TYPE		DOC PART		REVISION		SHEET NUMBER			
SD-34840-001				PSD		001		B7		2 OF 10			

16 CKT KEY D, STONE GRAY	34840-8440														D		P	R	SALEABLE
16 CKT KEY C, DARK GRAY	34840-8430														C		P	R	SALEABLE
16 CKT KEY B, LIGHT GRAY	34840-8420														B		P	R	SALEABLE
16 CKT KEY A, BLACK	34840-8410														A		P	R	SALEABLE
16 CKT KEY D, STONE GRAY	34840-8040															D	P	R	PLANNED OBSOLESECE
16 CKT KEY C, DARK GRAY	34840-8030															C	P	R	PLANNED OBSOLESECE
16 CKT KEY B, LIGHT GRAY	34840-8020															B	P	R	PLANNED OBSOLESECE
16 CKT KEY A, BLACK	34840-8010															A	P	R	PLANNED OBSOLESECE
12 CKT KEY D, STONE GRAY	34840-6440															D	P	R	SALEABLE
12 CKT KEY C, DARK GRAY	34840-6430															C	P	R	SALEABLE
12 CKT KEY B, LIGHT GRAY	34840-6420															B	P	R	SALEABLE
12 CKT KEY A, BLACK	34840-6410															A	P	R	SALEABLE
12 CKT KEY D, STONE GRAY	34840-6040															D	P	R	PLANNED OBSOLESECE
12 CKT KEY C, DARK GRAY	34840-6030															C	P	R	PLANNED OBSOLESECE
12 CKT KEY B, LIGHT GRAY	34840-6020															B	P	R	PLANNED OBSOLESECE
12 CKT KEY A, BLACK	34840-6010															A	P	R	PLANNED OBSOLESECE
ASSEMBLY DESCRIPTION	ASSEMBLY PART NUMBER																		PRODUCTION TOOL STATUS

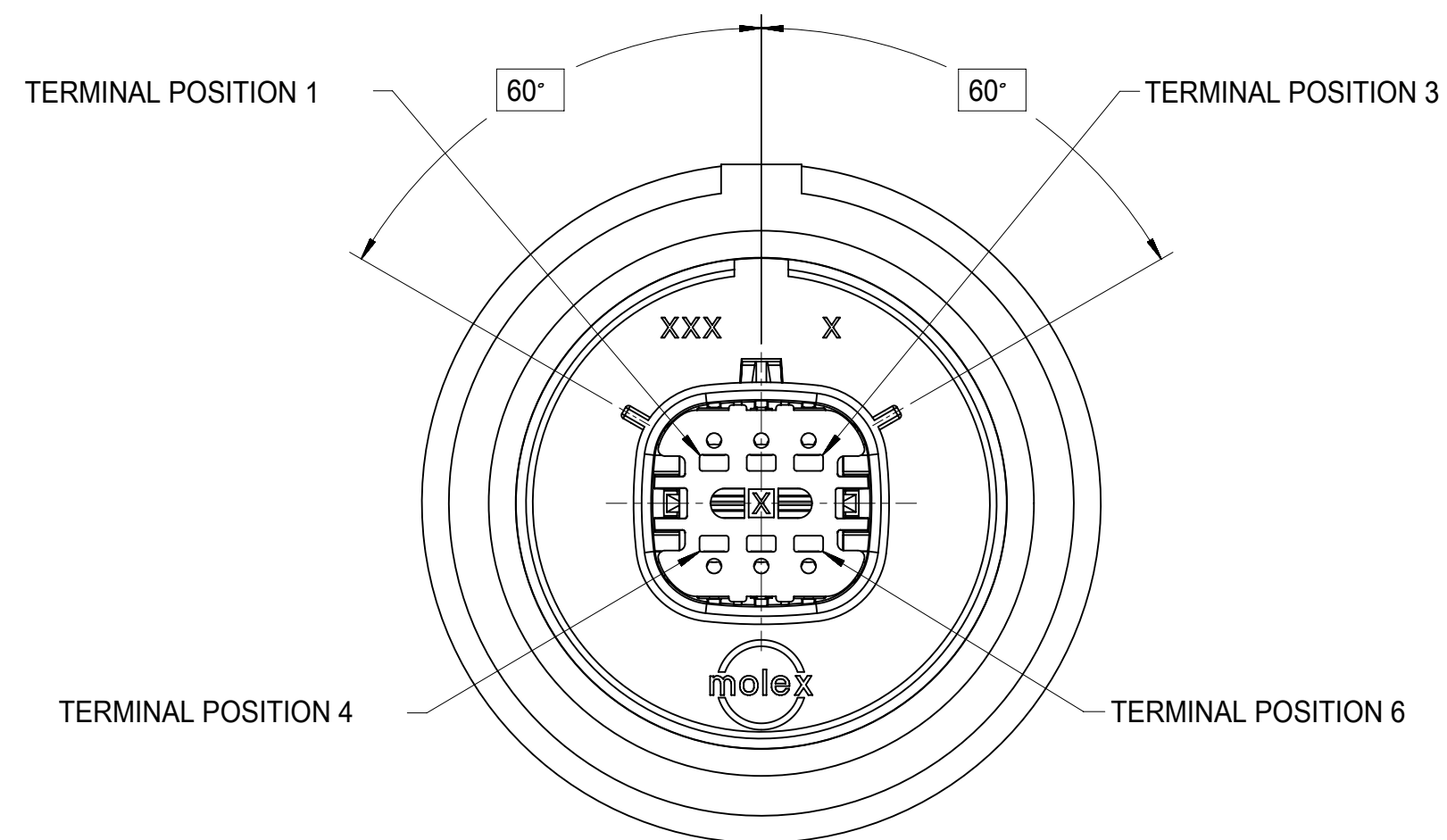
DESCRIPTION	COLOR	MATERIAL
12/16 CKT RING SEAL	RUST RED	INHERENTLY LUBRICATED SILICONE
UPDATED 16 CKT PLR	NATURAL	SPS/NYLON GF20
16 CKT PLR	NATURAL	SPS/NYLON GF20
16 CKT HOUSING KEYING OPTION D	STONE GRAY	SPS/NYLON GF20
16 CKT HOUSING KEYING OPTION C	DARK GRAY	SPS/NYLON GF20
16 CKT HOUSING KEYING OPTION B	LIGHT GRAY	SPS/NYLON GF20
16 CKT HOUSING KEYING OPTION A	BLACK	SPS/NYLON GF20
UPDATED 12 CKT PLR	NATURAL	SPS/NYLON GF20
12 CKT PLR	NATURAL	SPS/NYLON GF20
12 CKT HOUSING KEYING OPTION D	STONE GRAY	SPS/NYLON GF20
12 CKT HOUSING KEYING OPTION C	DARK GRAY	SPS/NYLON GF20
12 CKT HOUSING KEYING OPTION B	LIGHT GRAY	SPS/NYLON GF20
12 CKT HOUSING KEYING OPTION A	BLACK	SPS/NYLON GF20
DESCRIPTION	COLOR	MATERIAL

BOM/APPLICABLE COMPONENTS TABLE

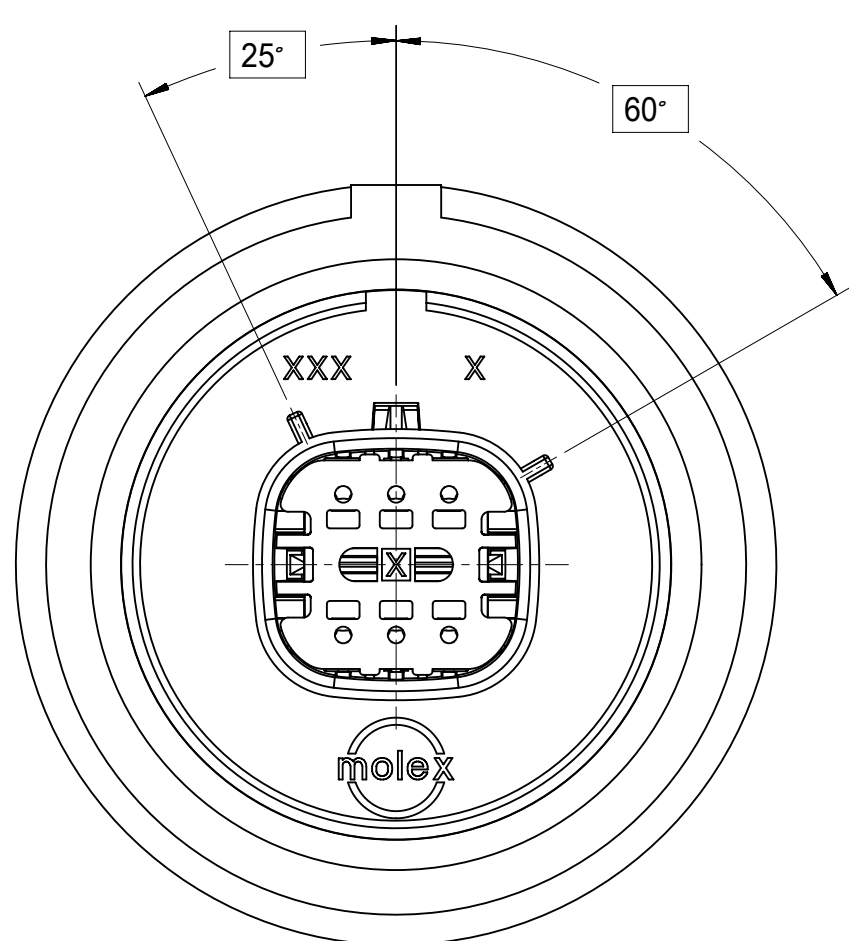
ABREVIATION	COMPONENT
A	HOUSING KEY A
B	HOUSING KEY B
C	HOUSING KEY C
D	HOUSING KEY D
P	PLR (STANDARD)/UPDATED PLR
R	RING SEAL

SYMBOLS										THIS DRAWING CONTAINS INFORMATION THAT IS PROPRIETARY TO MOLEX ELECTRONIC TECHNOLOGIES, LLC AND SHOULD NOT BE USED WITHOUT WRITTEN PERMISSION									
DIMENSION UNITS					SCALE					CURRENT REV DESC:									
mm					2:1					<b>molex</b> MX150 DUAL ROW BULKHEAD TWIST-LOCK CONNECTOR ASSEMBLY PRODUCT CUSTOMER DRAWING DOCUMENT NUMBER: SD-34840-001   DOC TYPE: PSD   DOC PART: 001   REVISION: B7 MATERIAL NUMBER: SEE TABLE   CUSTOMER: GENERAL MARKET   SHEET NUMBER: 3 OF 10									
GENERAL TOLERANCES (UNLESS SPECIFIED)					EC NO: 625506														
ANGULAR TOL ± 3.0°					DRWN: WKHE 2019/10/11														
4 PLACES ±					CHK'D: JDENG02 2019/10/22														
3 PLACES ±					APPR: JDENG02 2019/10/22														
2 PLACES ± 0.1					INITIAL REVISION:														
1 PLACE ± 0.2					DRWN: MVANSLAMBROU 2010/10/01														
0 PLACES ±					APPR: VKOSHY 2010/10/05														
DRAFT WHERE APPLICABLE MUST REMAIN WITHIN DIMENSIONS					THIRD ANGLE PROJECTION					DRAWING: D-SIZE					SERIES: 34840				

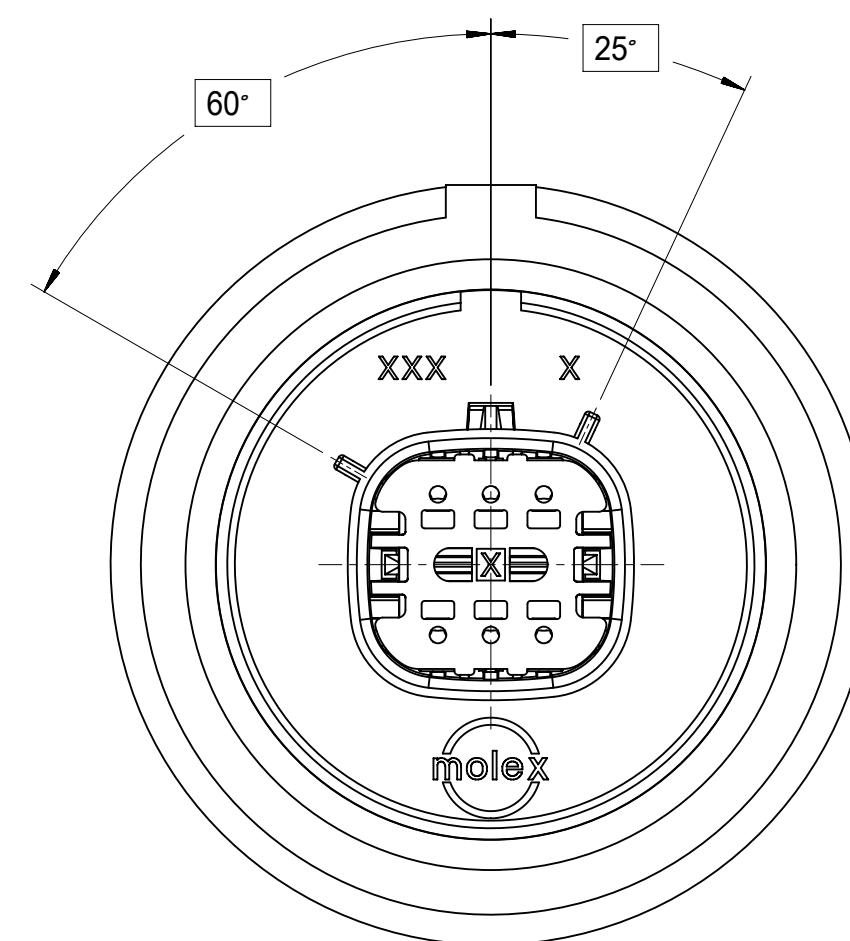
6/8 CKT KEY OPTION CONFIGURATIONS



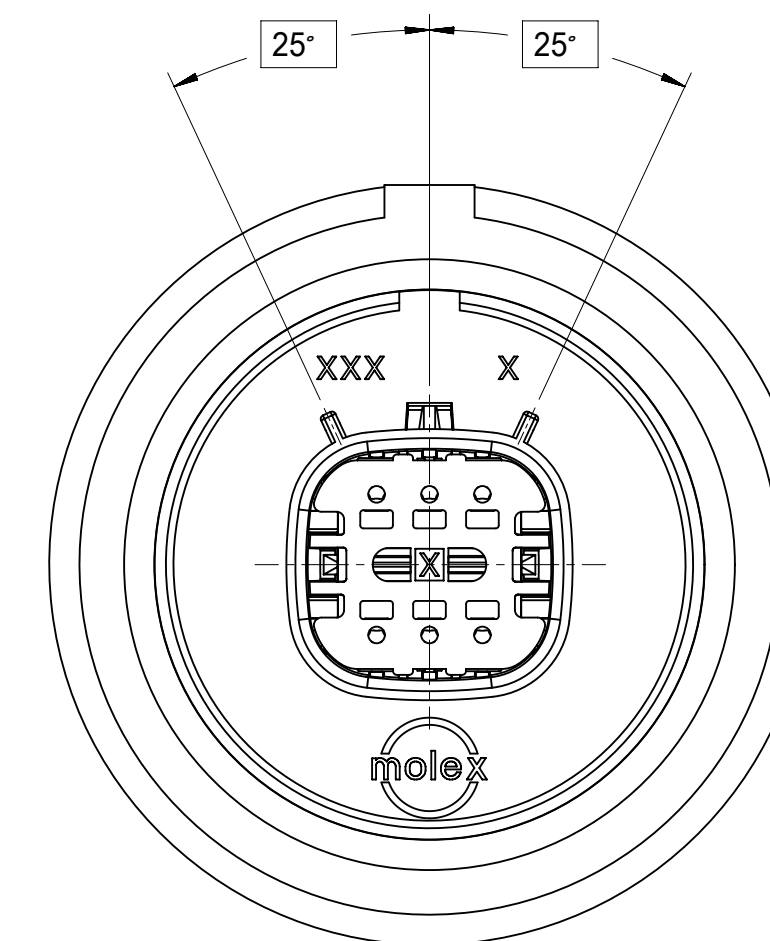
KEY OPTION A



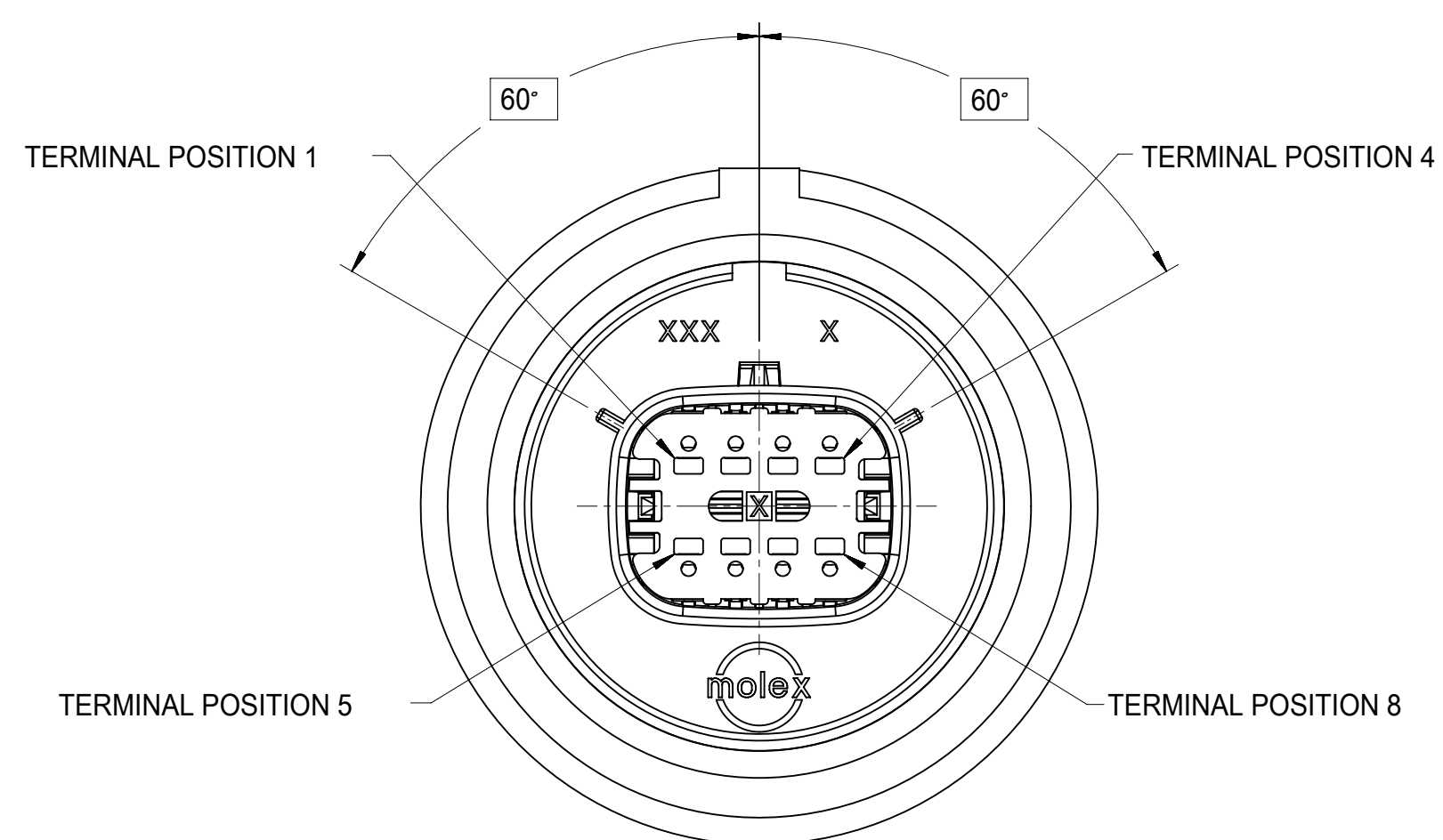
KEY OPTION B



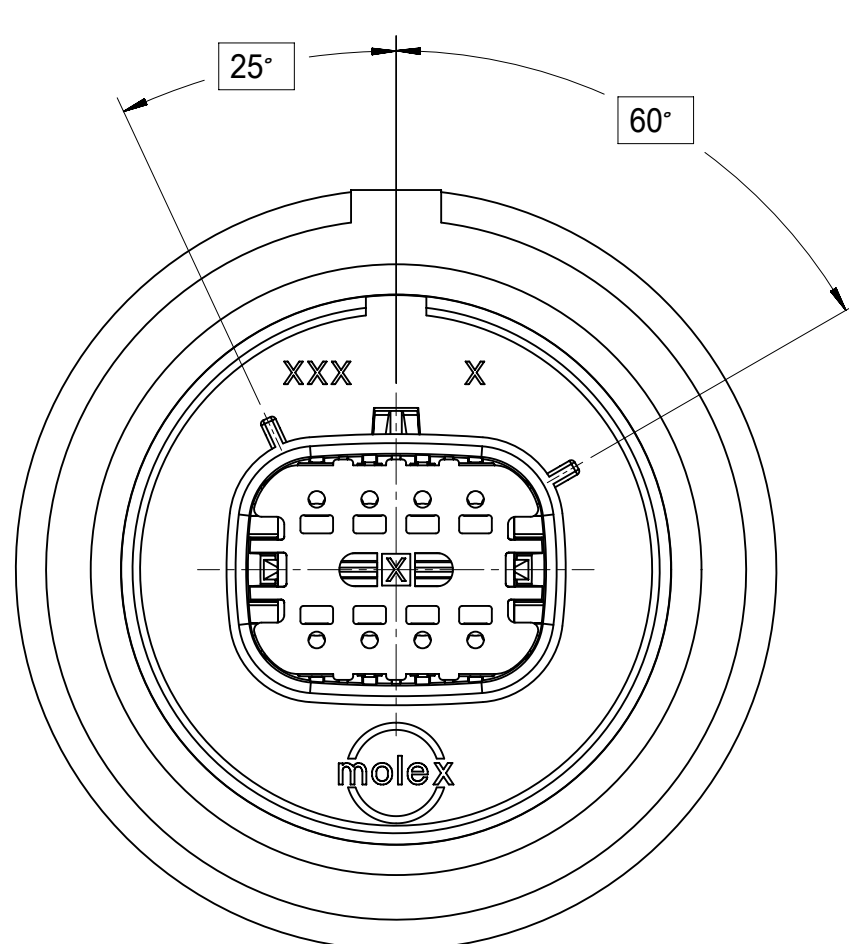
KEY OPTION C



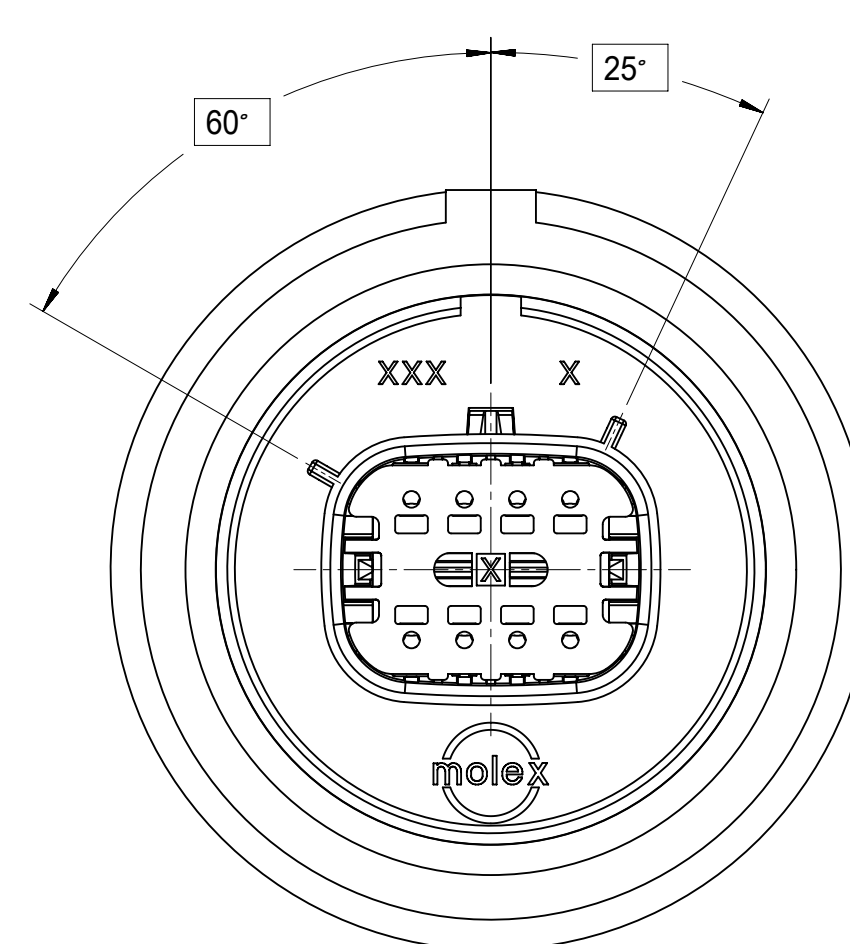
KEY OPTION D



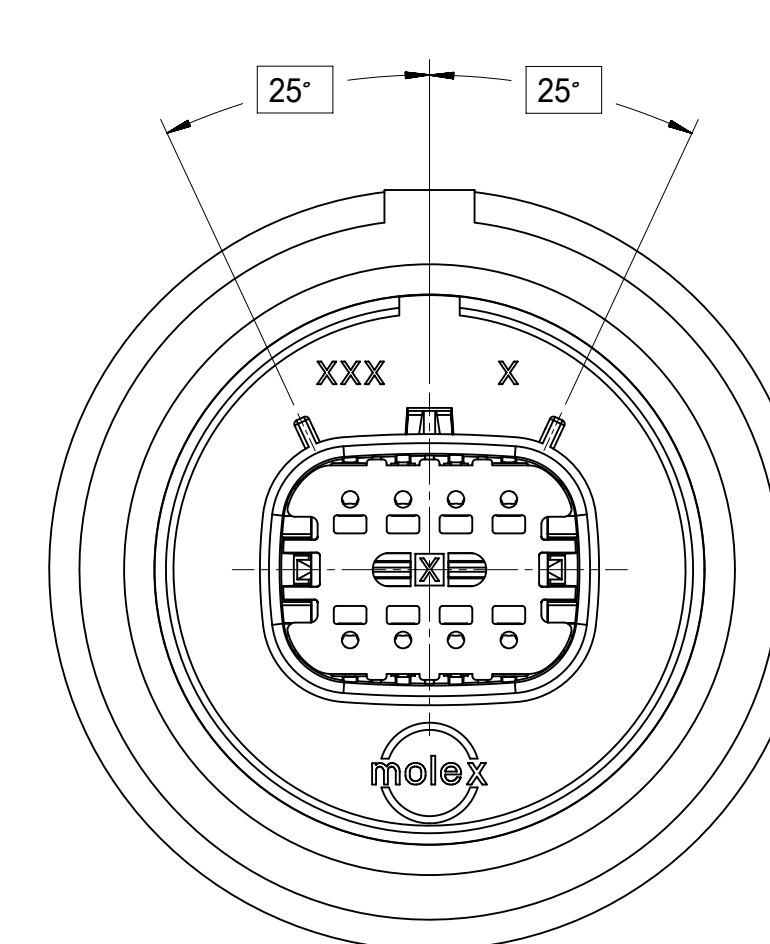
KEY OPTION A



KEY OPTION B



KEY OPTION C



KEY OPTION D

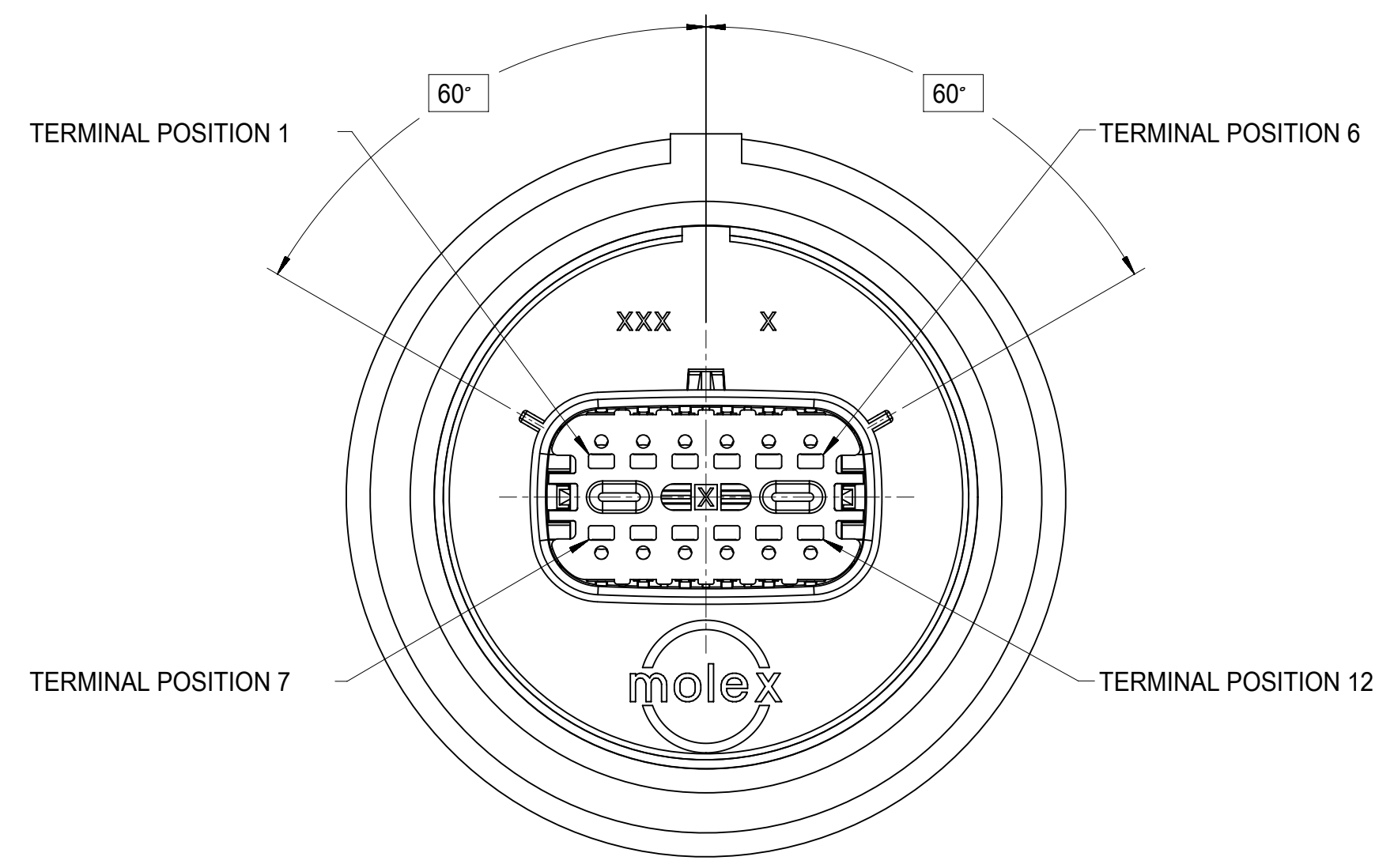
SYMBOLS	THIS DRAWING CONTAINS INFORMATION THAT IS PROPRIETARY TO MOLEX ELECTRONIC TECHNOLOGIES, LLC AND SHOULD NOT BE USED WITHOUT WRITTEN PERMISSION		
	DIMENSION UNITS	SCALE	CURRENT REV DESC:
▽ = 0	mm	2:1	EC NO: 625506 DRWN: WKHE 2019/10/11 CHK'D: JDENG02 2019/10/22 APPR: JDENG02 2019/10/22 INITIAL REVISION: DRWN: MVANSLAMBROU 2010/10/01 APPR: VKOSHY 2010/10/05
▽ = 0	GENERAL TOLERANCES (UNLESS SPECIFIED)		
▽ = 0	ANGULAR TOL ± 3.0°		
▽ = 0	4 PLACES	±	
▽ = 0	3 PLACES	±	
▽ = 0	2 PLACES	± 0.1	
▽ = 0	1 PLACE	± 0.2	
▽ = 0	0 PLACES	±	
▽ = 0	DRAFT WHERE APPLICABLE MUST REMAIN WITHIN DIMENSIONS	THIRD ANGLE PROJECTION	DRAWING D-SIZE SERIES 34840
DOCUMENT STATUS		P1	RELEASE DATE 2019/10/22 03:24:46 MATERIAL NUMBER SEE TABLE CUSTOMER GENERAL MARKET SHEET NUMBER 4 OF 10

**molex**

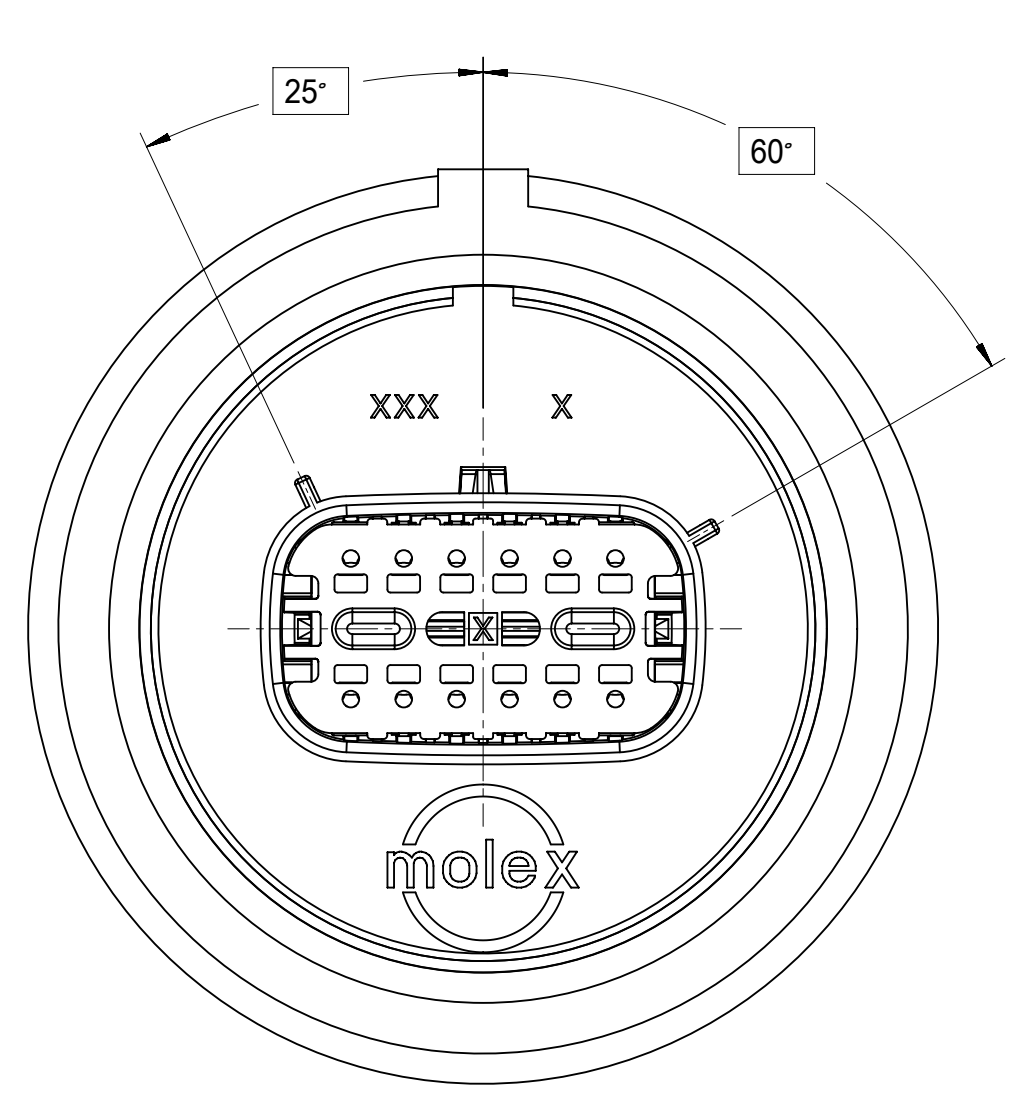
MX150 DUAL ROW  
BULKHEAD TWIST-LOCK CONNECTOR ASSEMBLY

PRODUCT CUSTOMER DRAWING

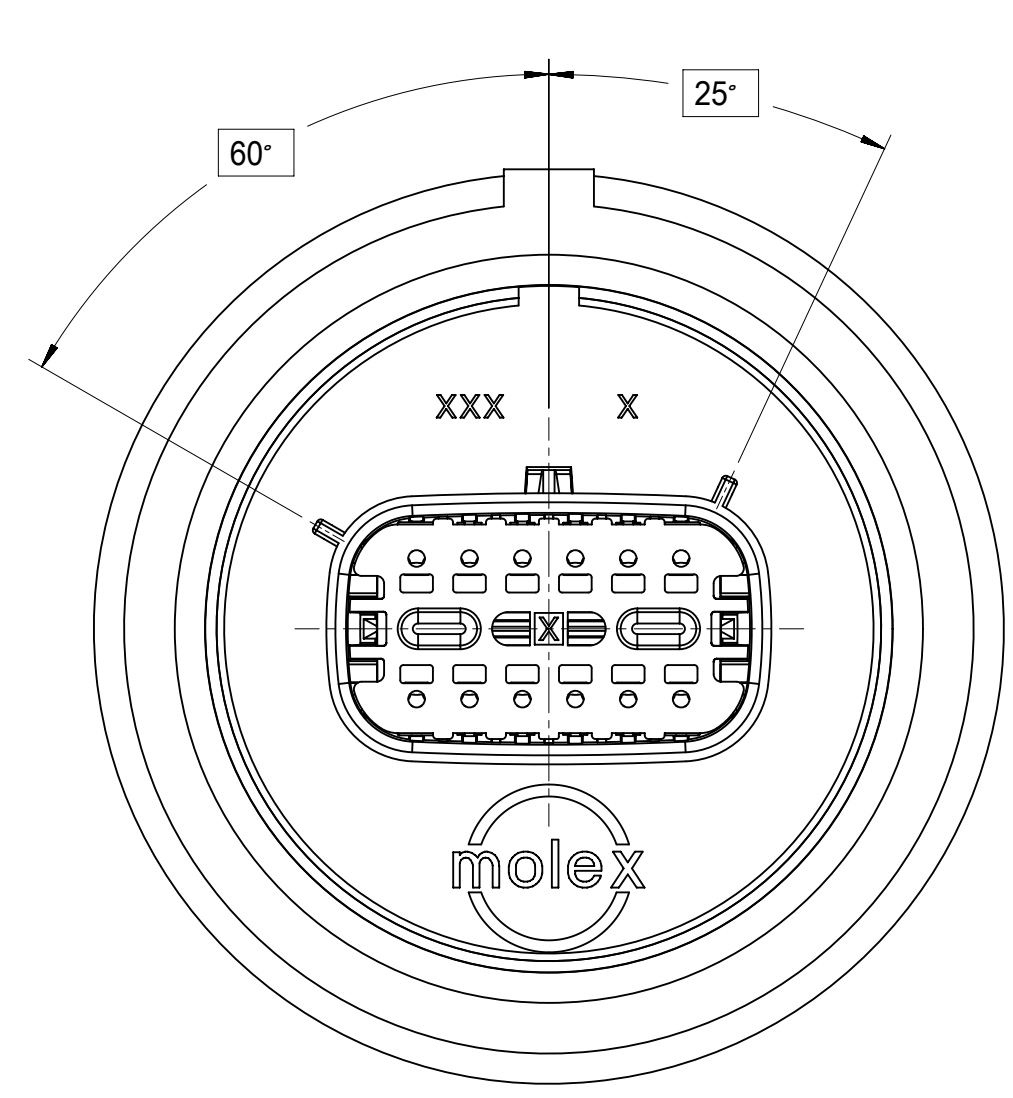
DOCUMENT NUMBER	DOC TYPE	DOC PART	REVISION
SD-34840-001	PSD	001	B7



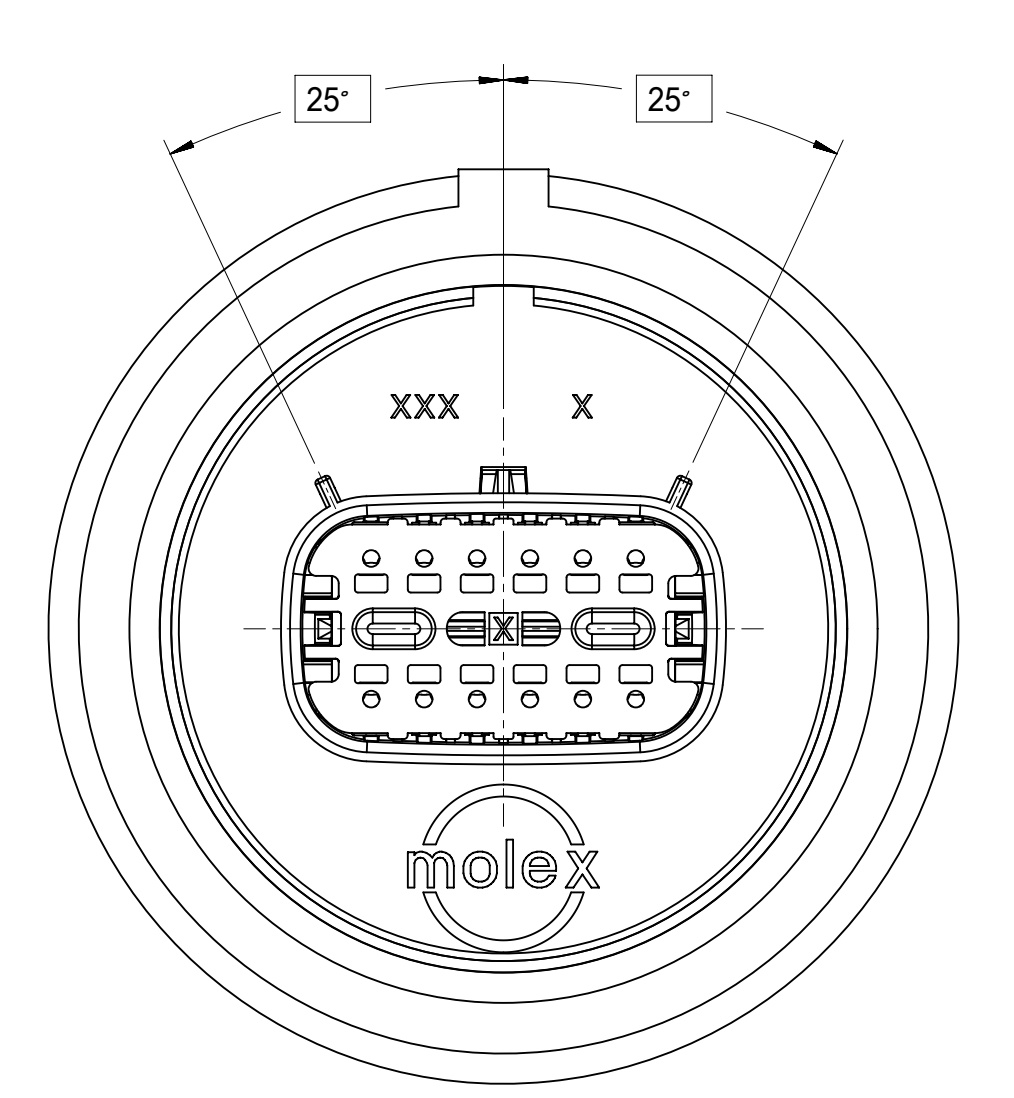
KEY OPTION A



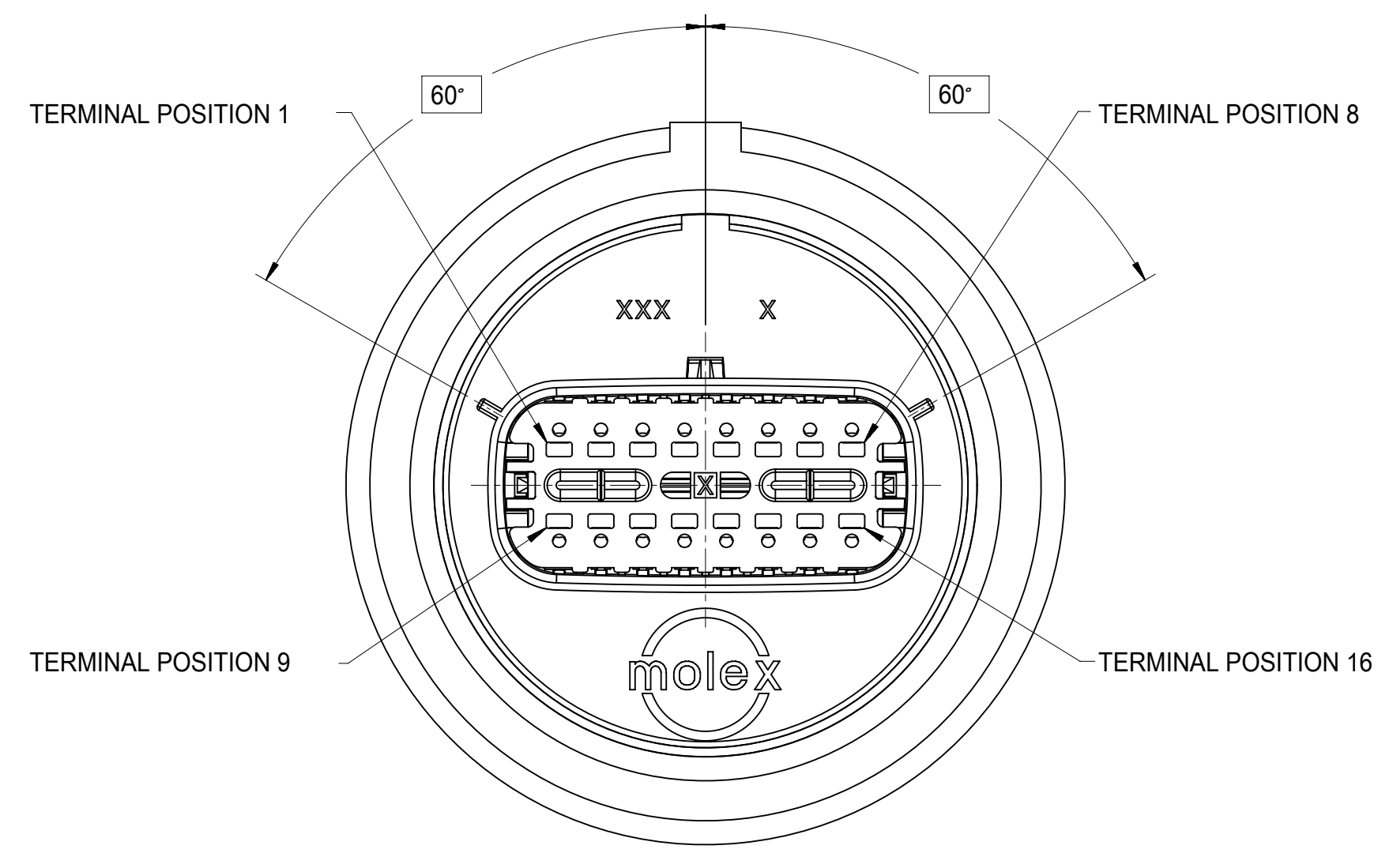
KEY OPTION B



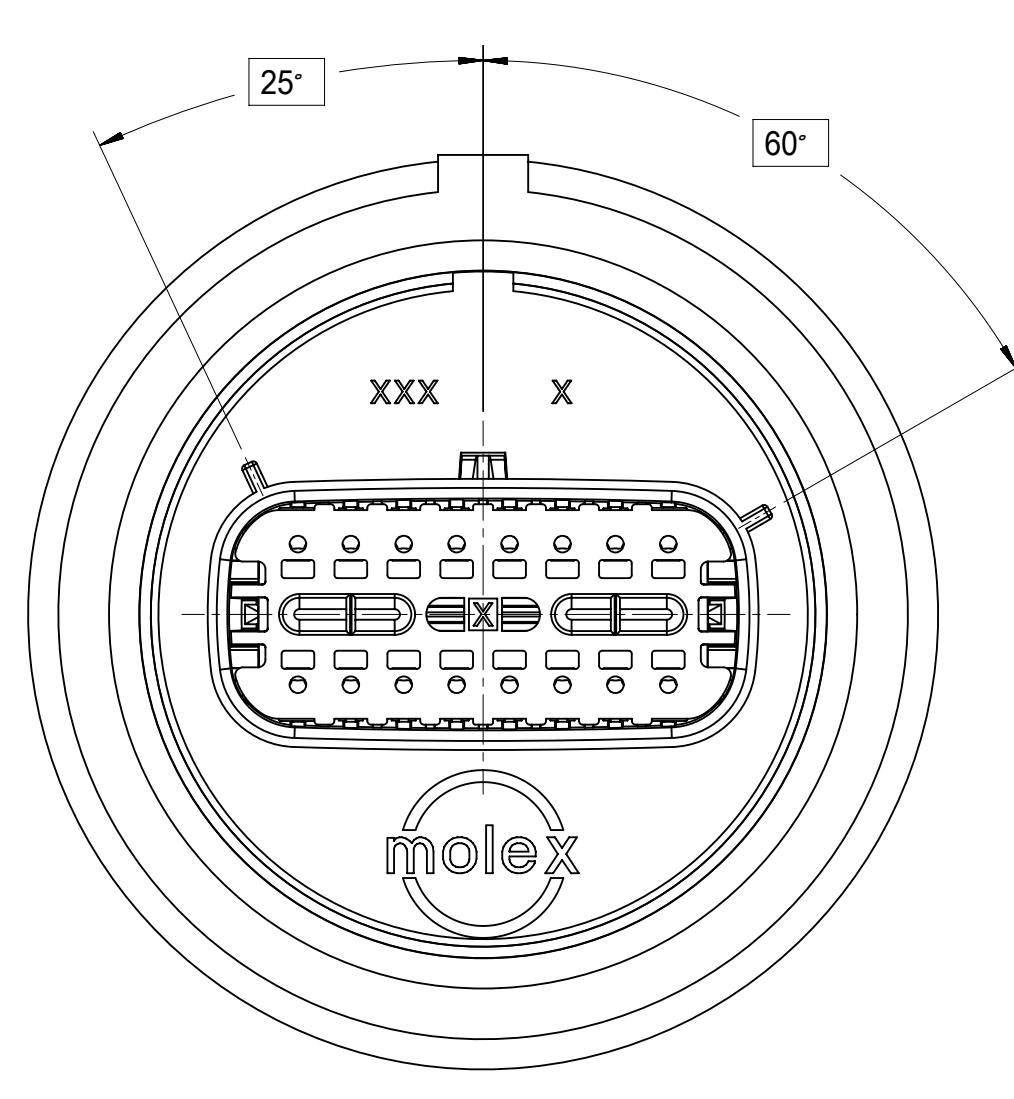
KEY OPTION C



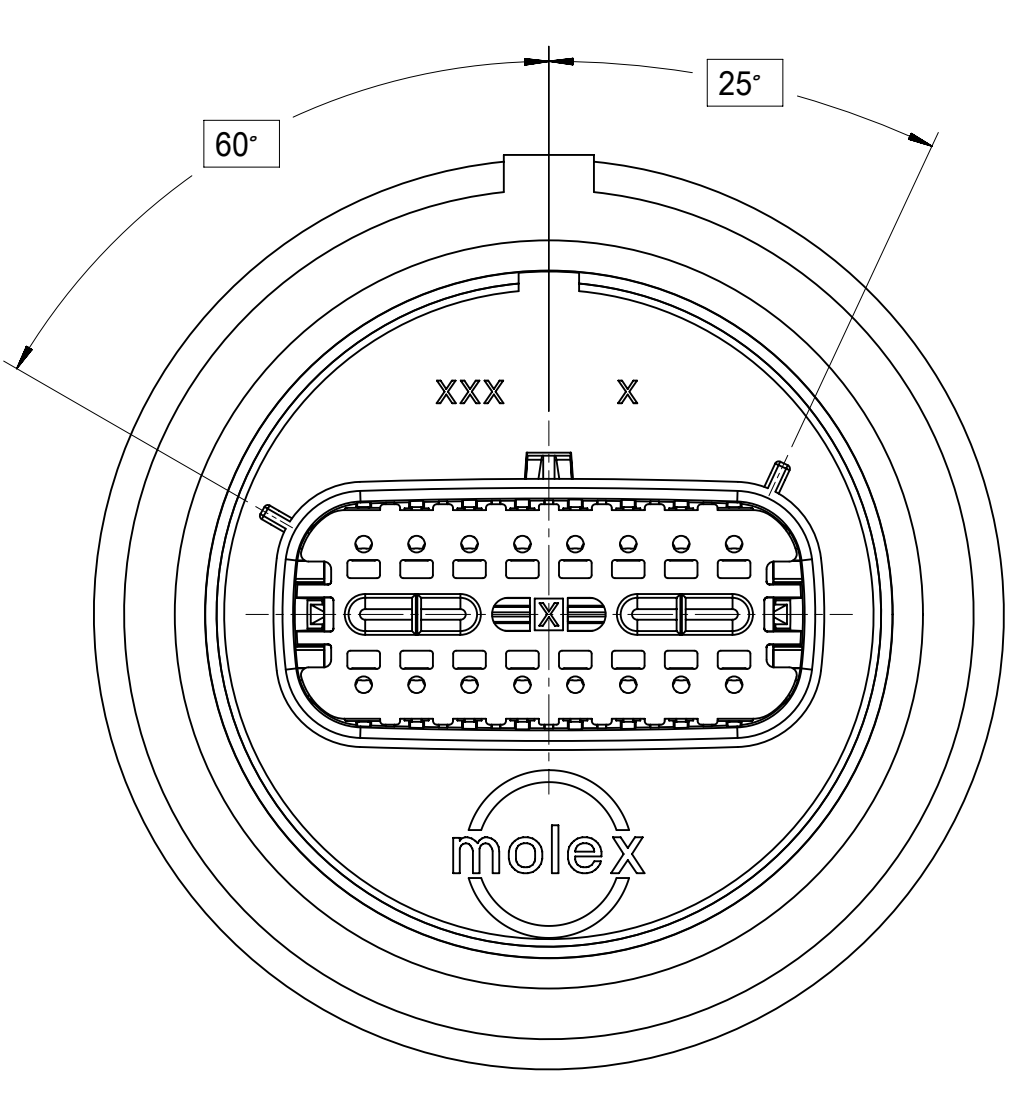
KEY OPTION D



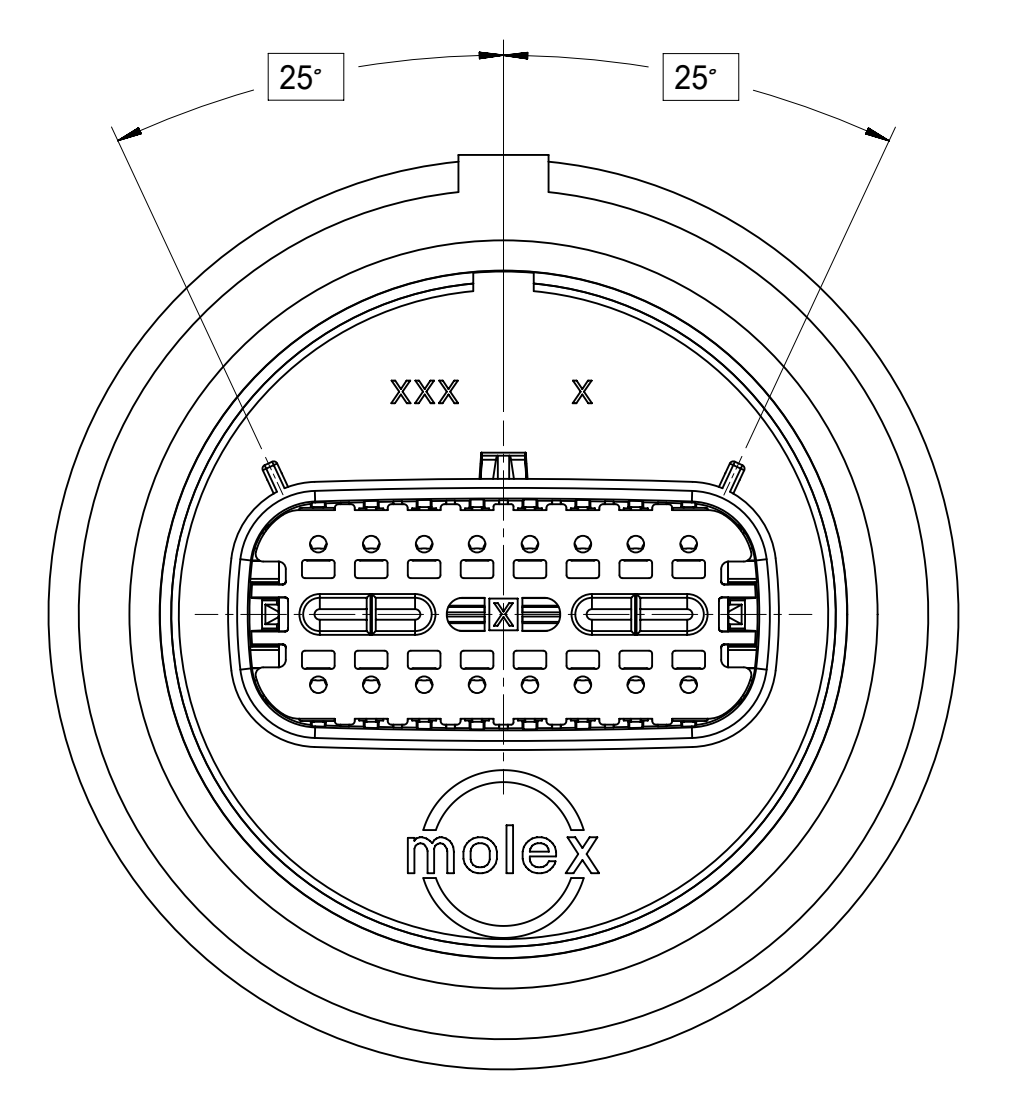
KEY OPTION A



KEY OPTION B



KEY OPTION C



KEY OPTION D

SYMBOLS	THIS DRAWING CONTAINS INFORMATION THAT IS PROPRIETARY TO MOLEX ELECTRONIC TECHNOLOGIES, LLC AND SHOULD NOT BE USED WITHOUT WRITTEN PERMISSION		
	DIMENSION UNITS	SCALE	CURRENT REV DESC:
▽ = 0	mm	2:1	EC NO: 625506 DRWN: WKHE 2019/10/11 CHK'D: JDENG02 2019/10/22 APPR: JDENG02 2019/10/22 INITIAL REVISION: DRWN: MVANSLAMBROU 2010/10/01 2010/10/05 APPR: VKOSHY DRAFT WHERE APPLICABLE MUST REMAIN WITHIN DIMENSIONS
▽ = 0	GENERAL TOLERANCES (UNLESS SPECIFIED)		
▽ = 0	ANGULAR TOL ± 3.0°		
▽ = 0	4 PLACES	±	
▽ = 0	3 PLACES	±	
▽ = 0	2 PLACES	± 0.1	
▽ = 0	1 PLACE	± 0.2	
▽ = 0	0 PLACES	±	
□ = 0	THIRD ANGLE PROJECTION		DRWING SERIES <b>D-SIZE 34840</b>
▽ = 0			MATERIAL NUMBER CUSTOMER SHEET NUMBER SEE TABLE GENERAL MARKET 5 OF 10

**molex**

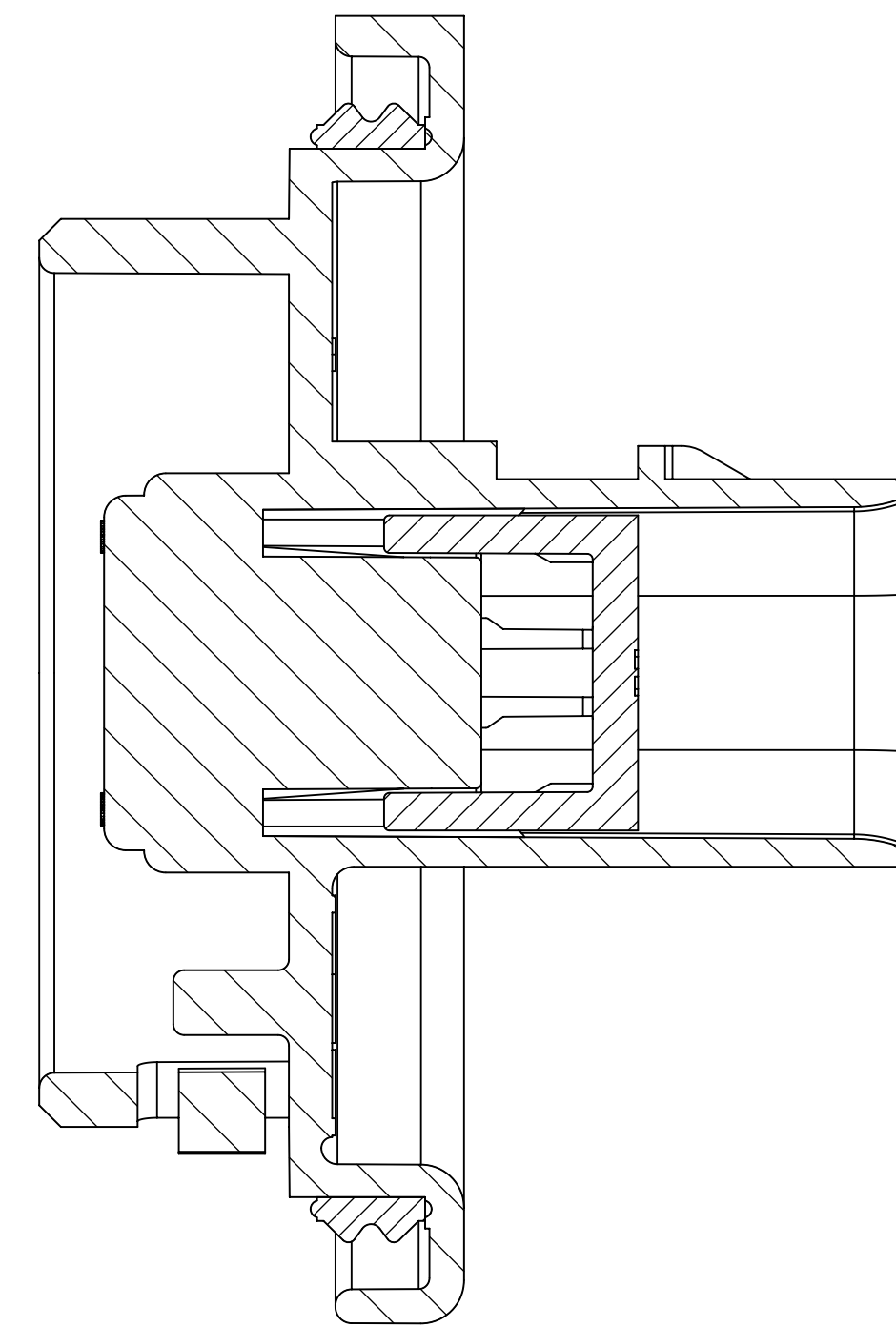
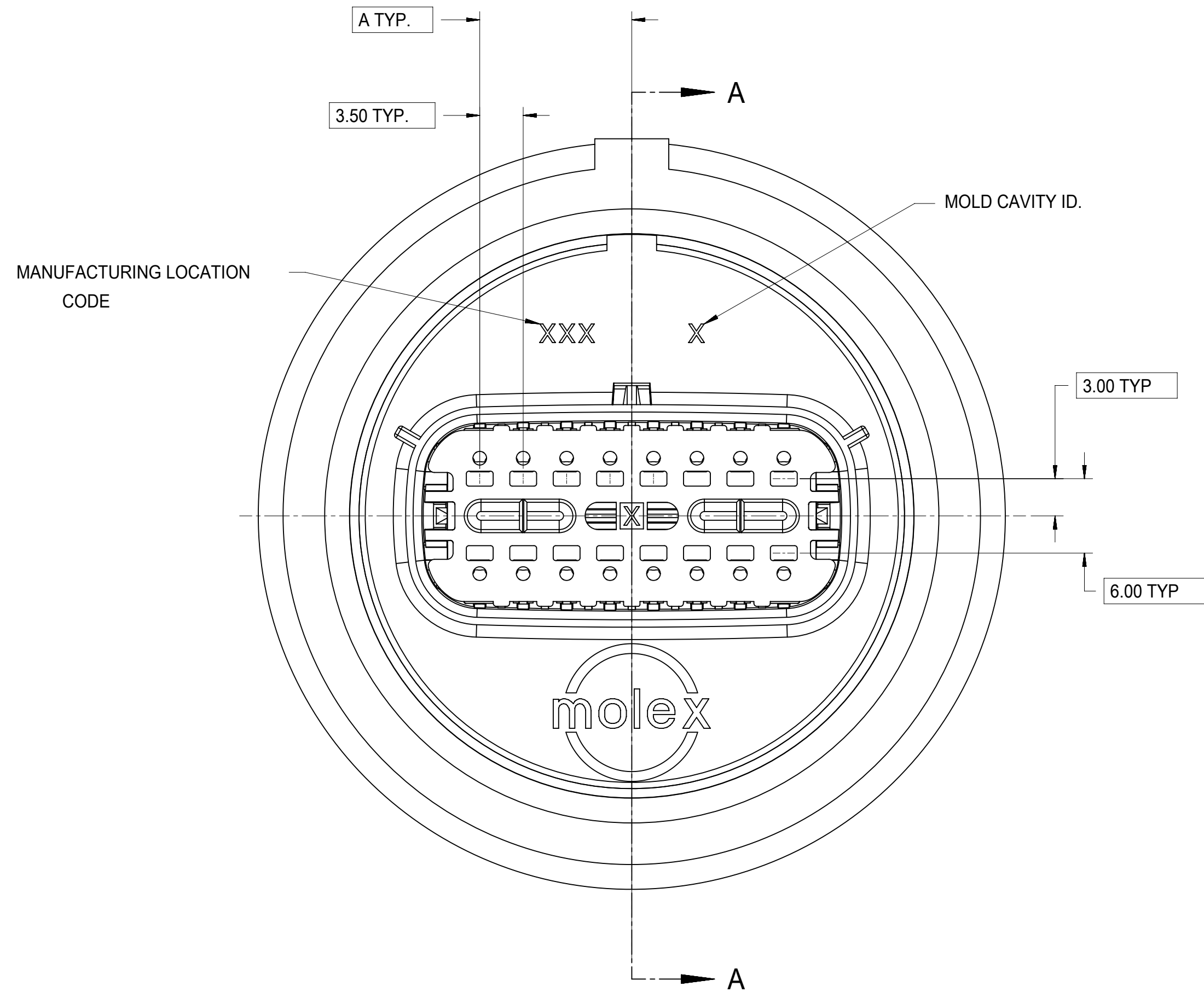
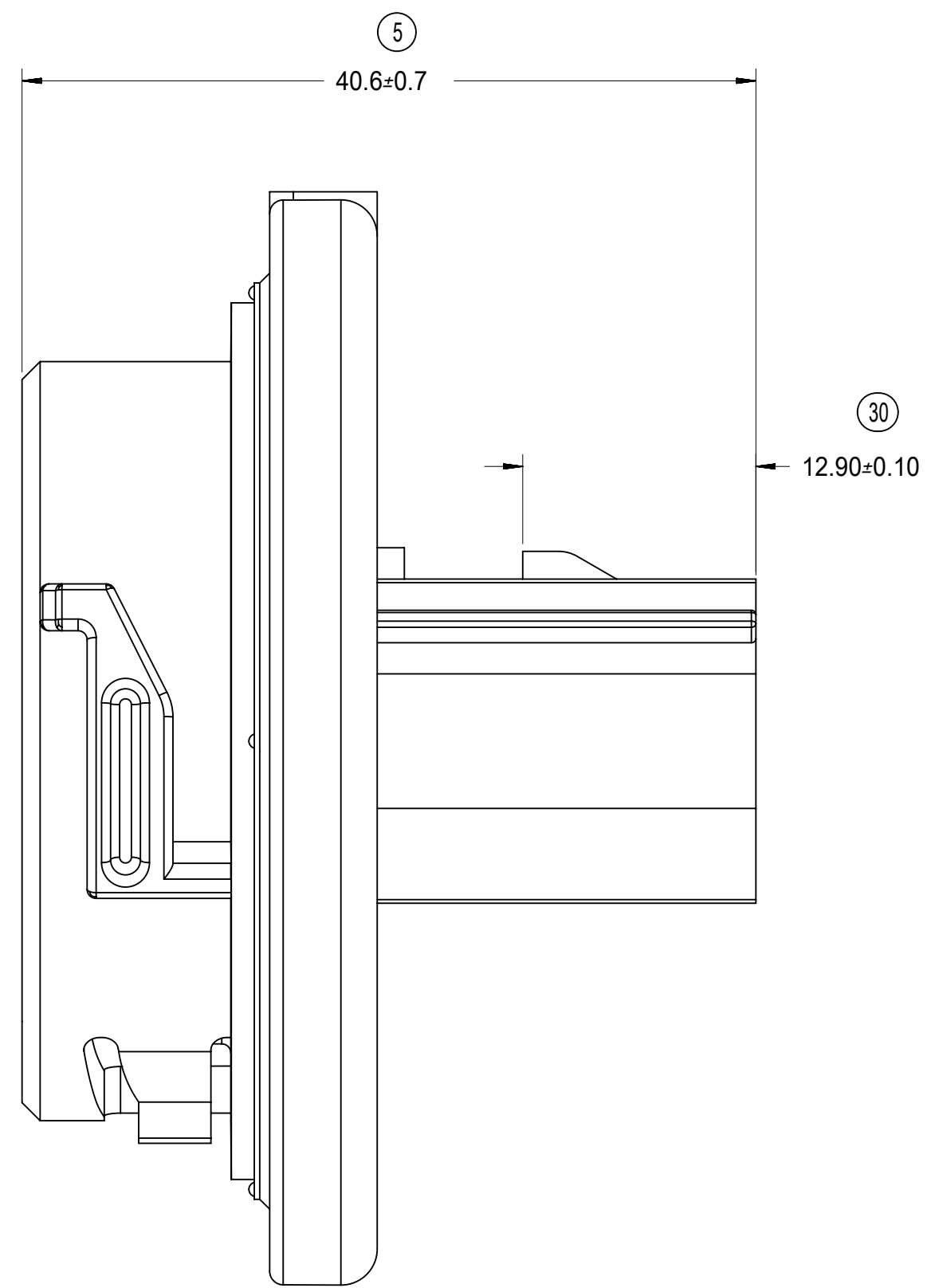
MX150 DUAL ROW  
BULKHEAD TWIST-LOCK CONNECTOR ASSEMBLY

PRODUCT CUSTOMER DRAWING

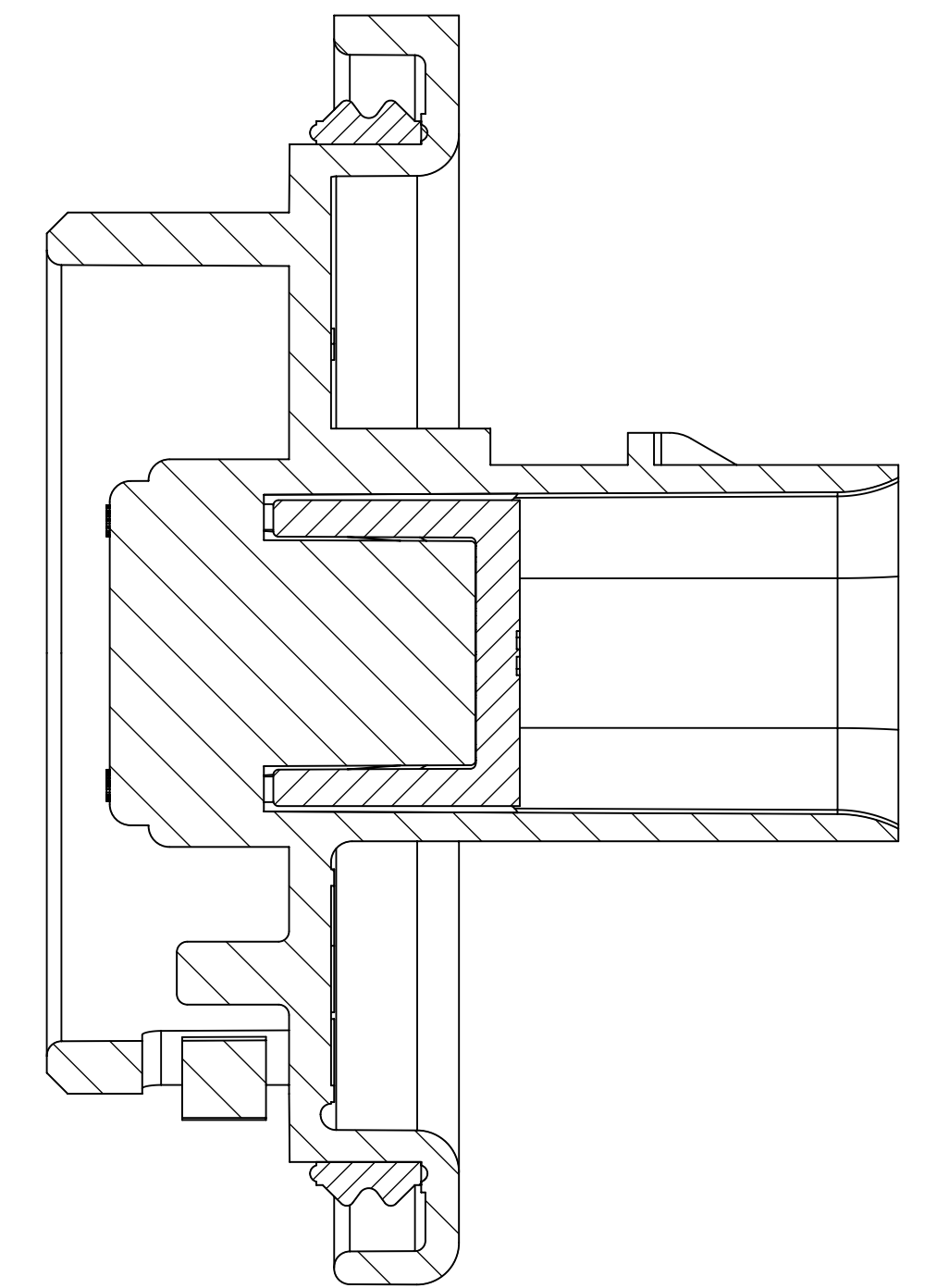
DOCUMENT NUMBER	DOC TYPE	DOC PART	REVISION
<b>SD-34840-001</b>	PSD	001	<b>B7</b>

CIRCUIT SIZE	DIMENSIONS	
	A	B
6	3.50	50.3
8	5.25	50.3
12	8.75	60.2
16	12.25	60.2

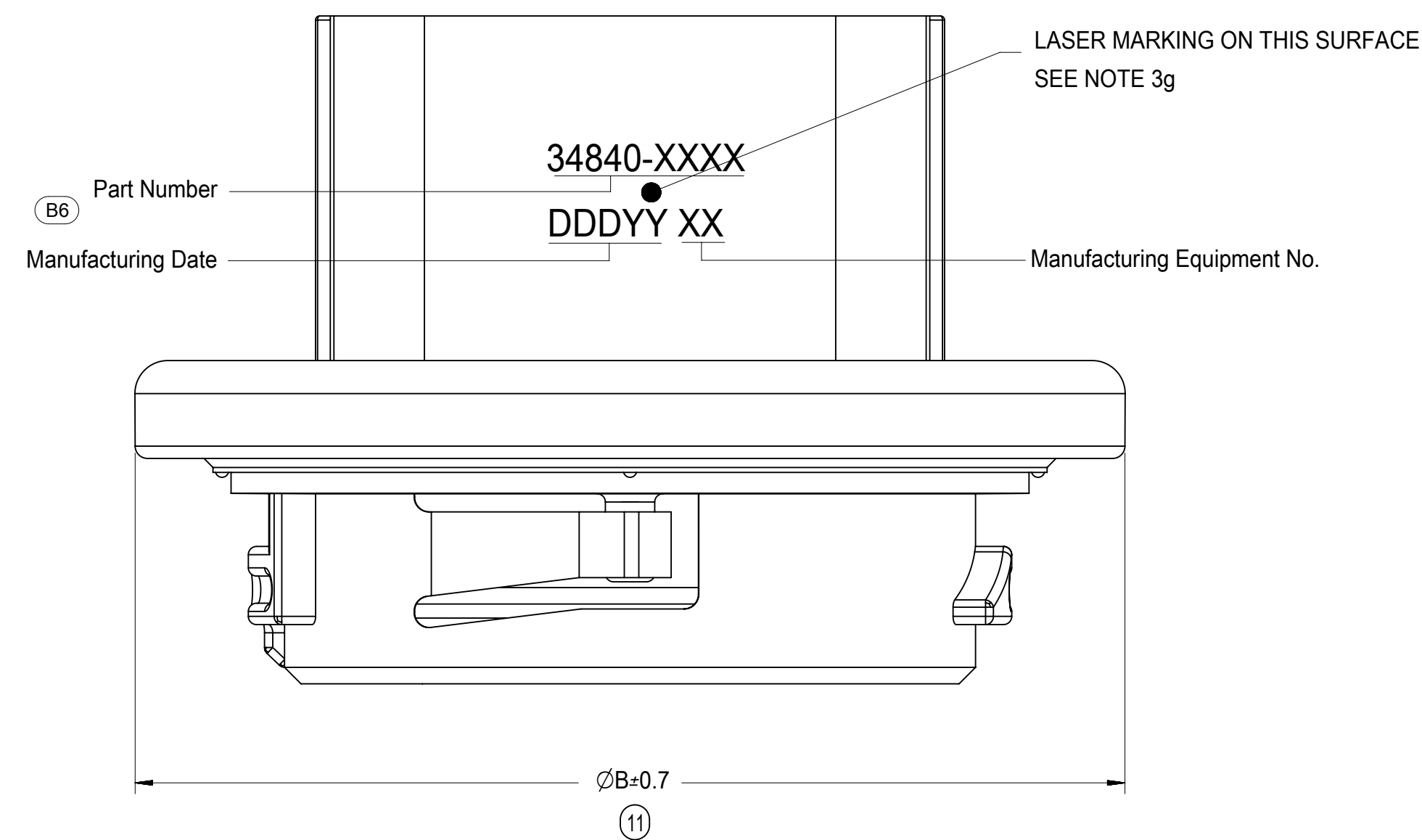
BULKHEAD CONNECTOR



SECTION A-A  
PLR SHOWN IN PRE-LOCK POSITION

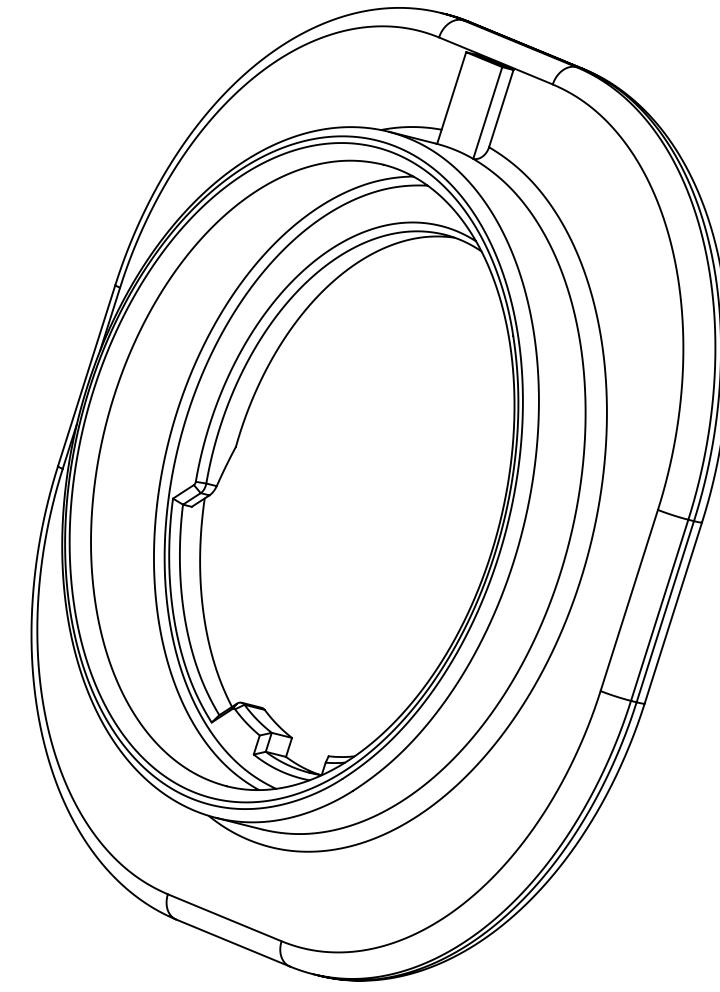
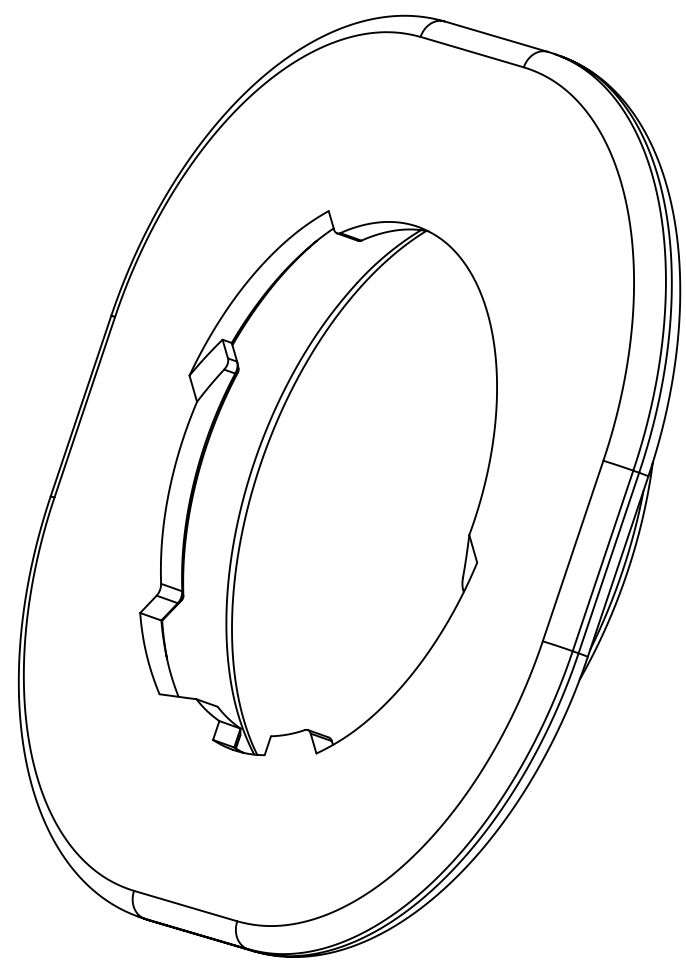


SECTION A-A  
PLR SHOWN IN FINAL-LOCK POSITION

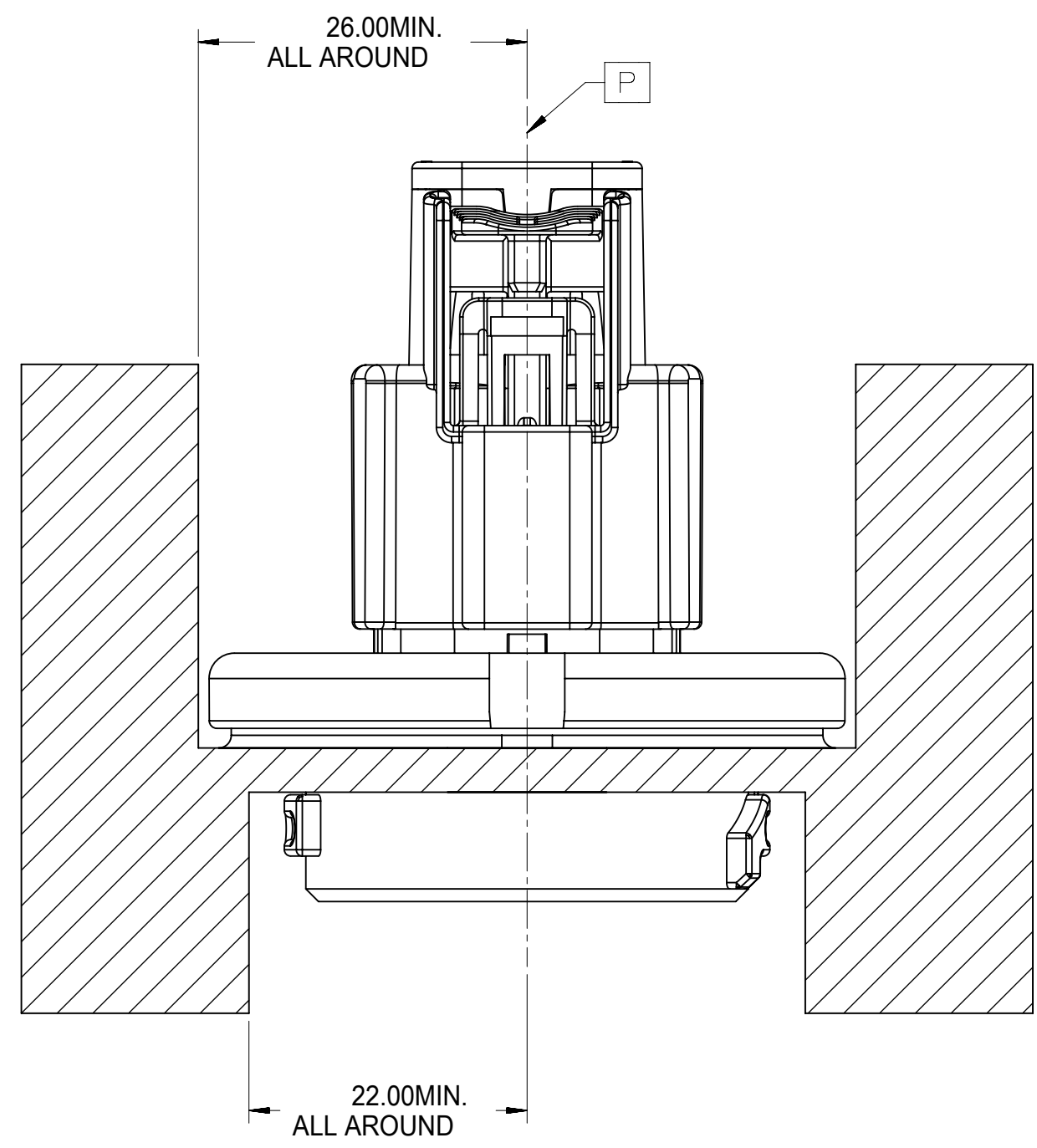


THIS DRAWING CONTAINS INFORMATION THAT IS PROPRIETARY TO MOLEX ELECTRONIC TECHNOLOGIES, LLC AND SHOULD NOT BE USED WITHOUT WRITTEN PERMISSION										
SYMBOLS	DIMENSION UNITS	SCALE	CURRENT REV DESC:							
▽ = 0	mm	2:1	<b>molex</b> MX150 DUAL ROW BULKHEAD TWIST-LOCK CONNECTOR ASSEMBLY PRODUCT CUSTOMER DRAWING DOCUMENT NUMBER: SD-34840-001   DOC TYPE: PSD   DOC PART: 001   REVISION: B7 MATERIAL NUMBER: SEE TABLE   CUSTOMER: GENERAL MARKET   SHEET NUMBER: 6 OF 10							
▽ = 0	GENERAL TOLERANCES (UNLESS SPECIFIED)									
▽ = 0	ANGULAR TOL ± 3.0°									
▽ = 0	4 PLACES ±									
▽ = 0	3 PLACES ±									
▽ = 0	2 PLACES ± 0.1									
▽ = 0	1 PLACE ± 0.2		EC NO: 625506 DRWN: WKHE 2019/10/11 CHK'D: JDENG02 2019/10/22 APPR: JDENG02 2019/10/22 INITIAL REVISION: DRWN: MVANSLAMBROU 2010/10/01 APPR: VKOSHY 2010/10/05							
⊠ = 0	0 PLACES ±		THIRD ANGLE PROJECTION		DRAWING		SERIES		MATERIAL NUMBER	
■ = 0	DRAFT WHERE APPLICABLE MUST REMAIN WITHIN DIMENSIONS		D-SIZE		34840		SEE TABLE		GENERAL MARKET	

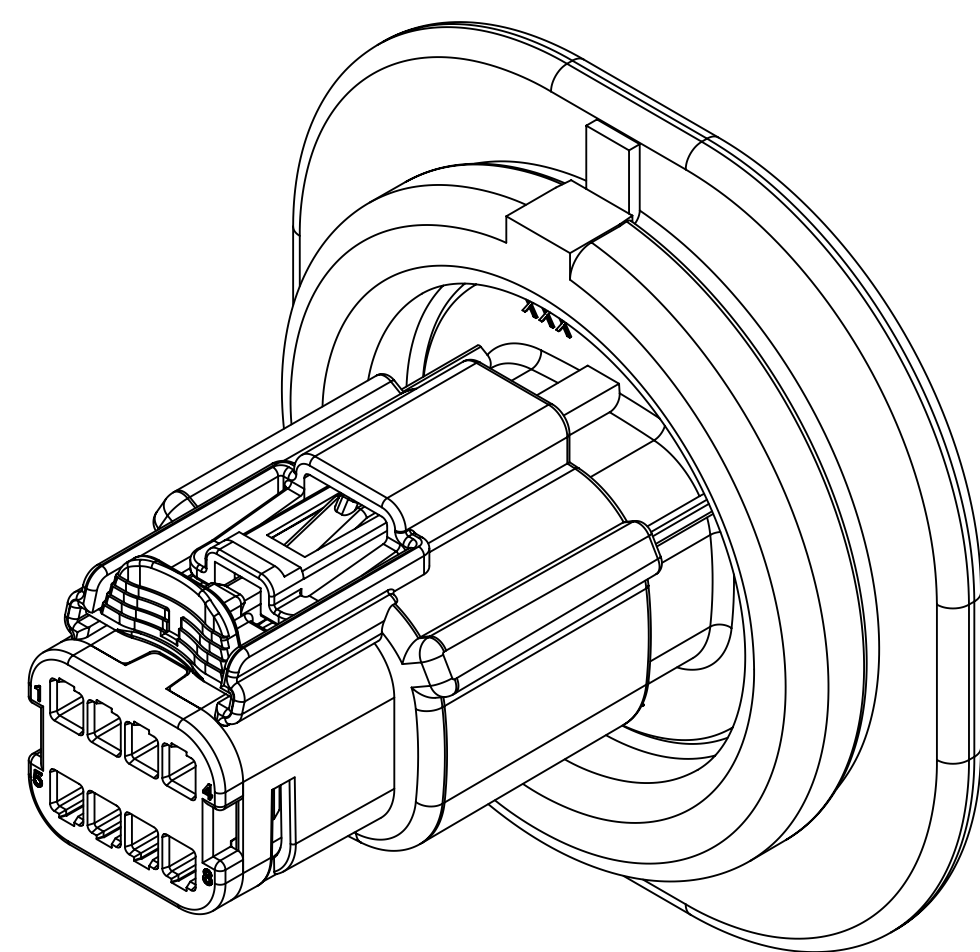
**B7**  
 NOTES:  
 THE INTERFACE IS NOT AN ACTUAL PART. IT CAN'T BE SOLD, BUT NEEDS TO BE DESIGNED IN ON THE CUSTOMER'S SIDE.



IF BULKHEAD INTERFACE IS RECESSED INTO A POCKET, THESE DIMENSIONS REPRESENT THE MINIMUM CLEARANCE REQUIRED FOR THE MATING HARNESS AND BULKHEAD CONNECTOR SHROUDS.



**PACKAGING FRAME**

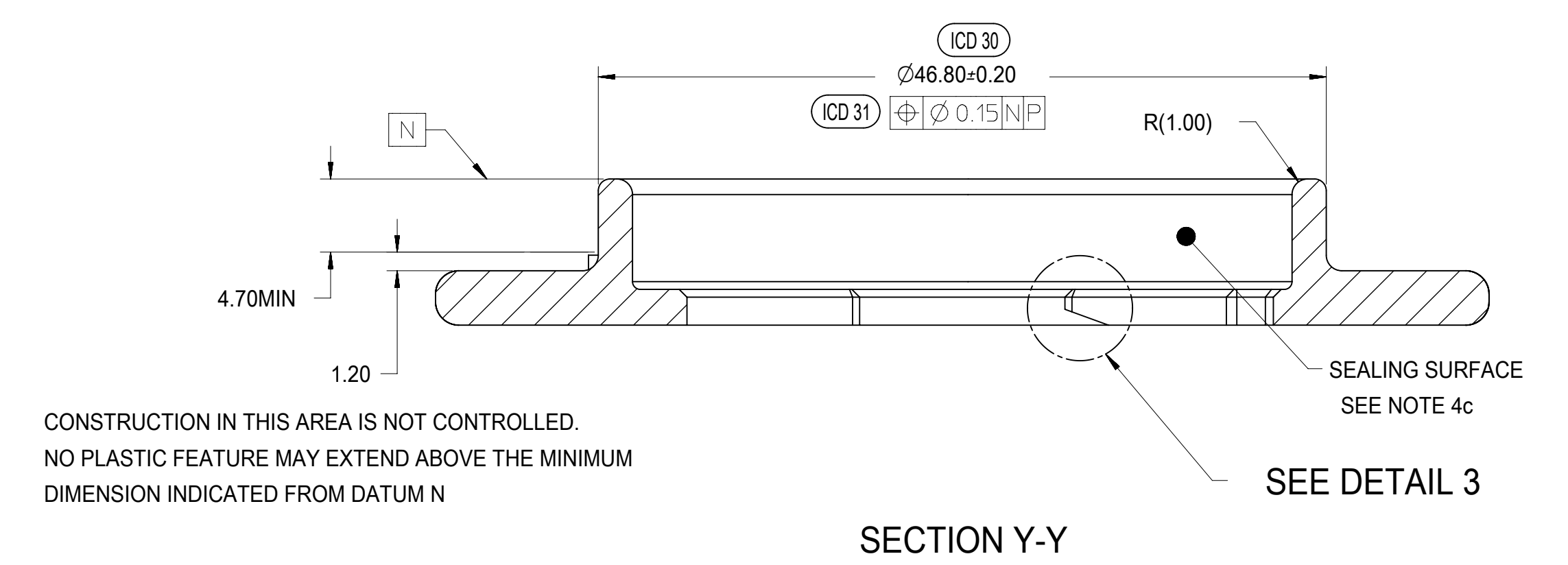
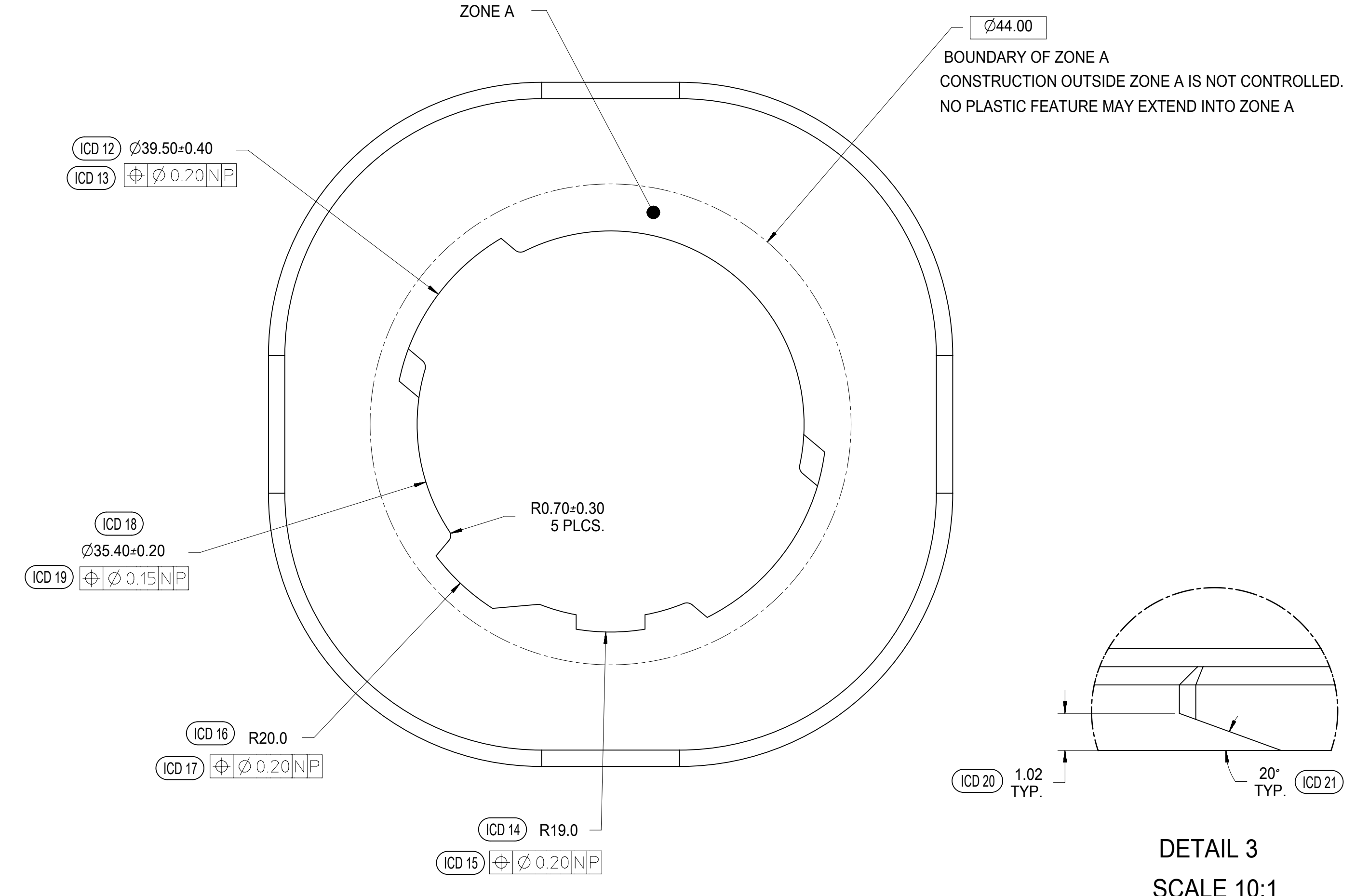
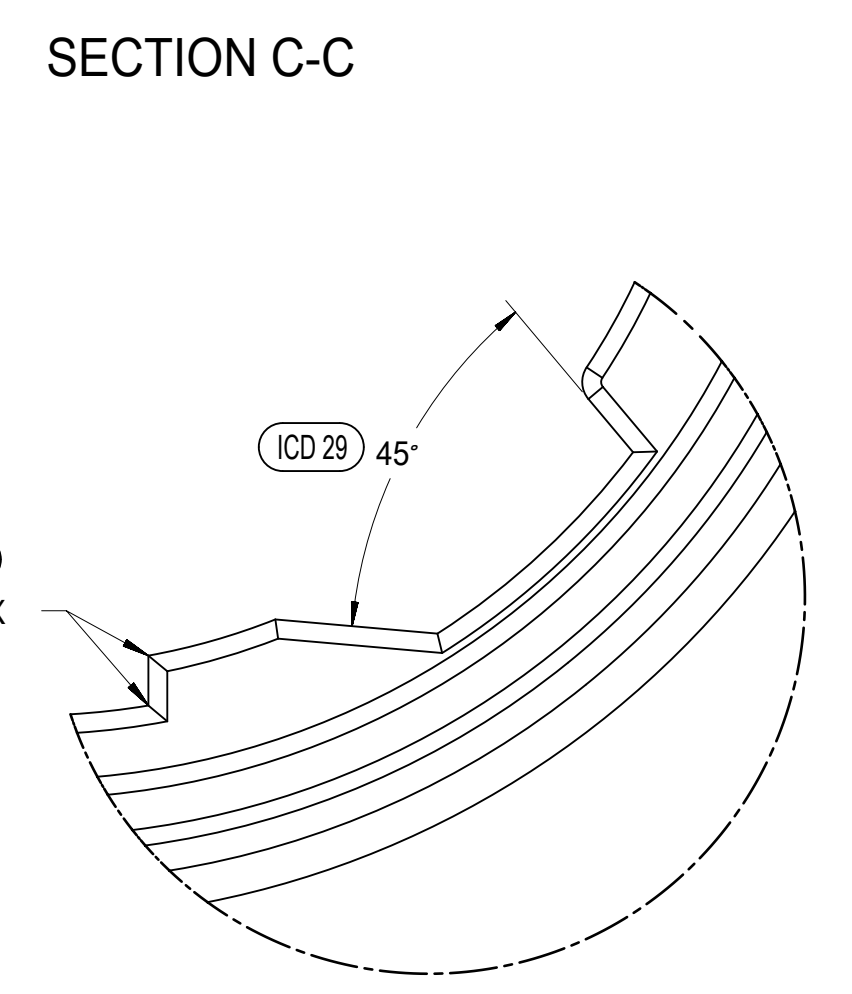
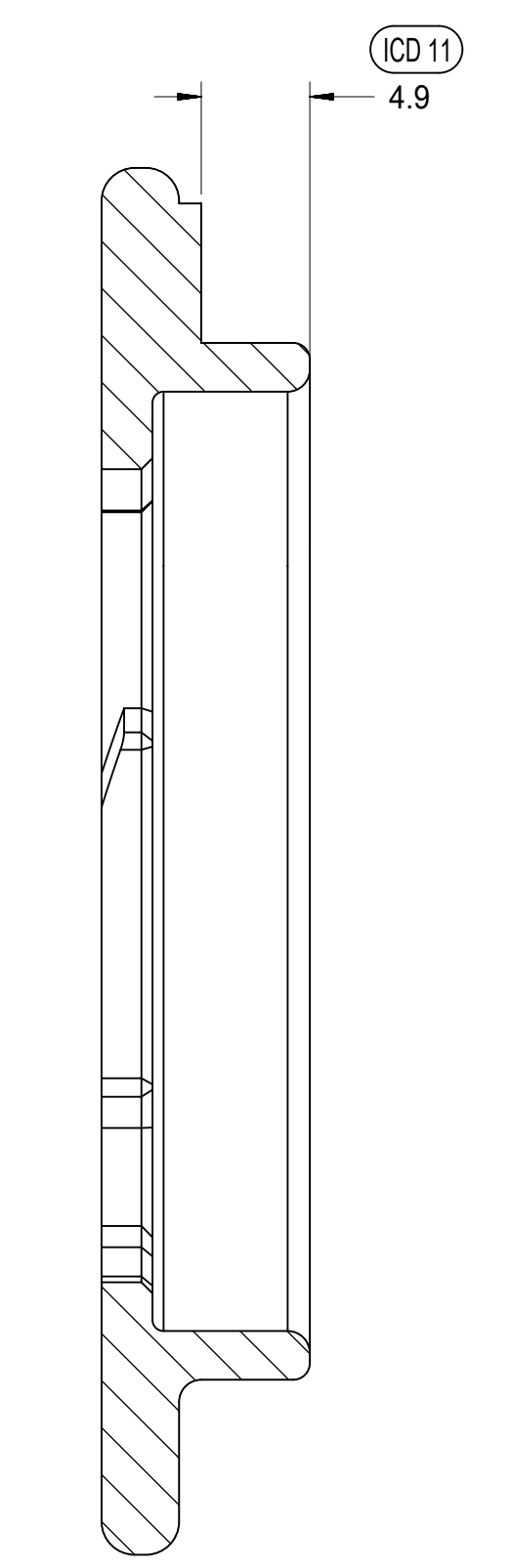
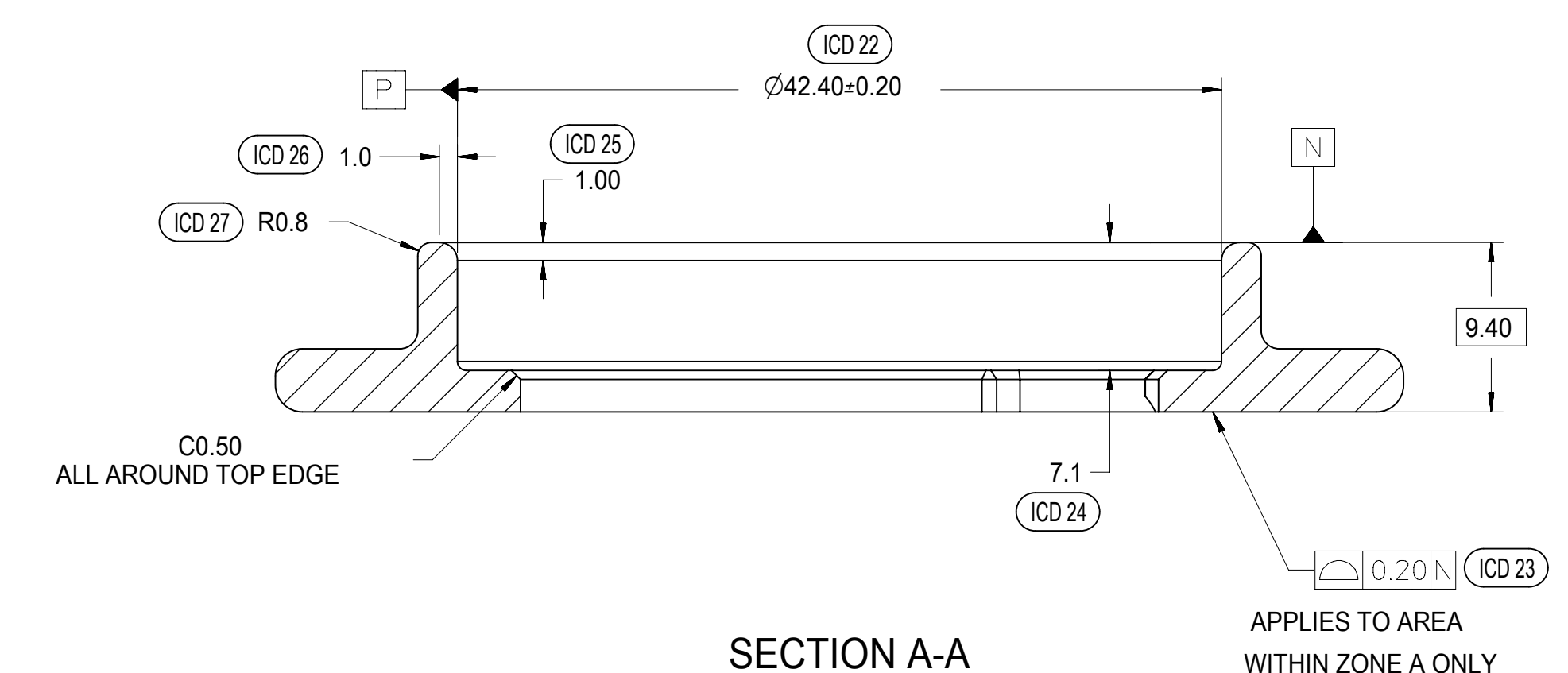
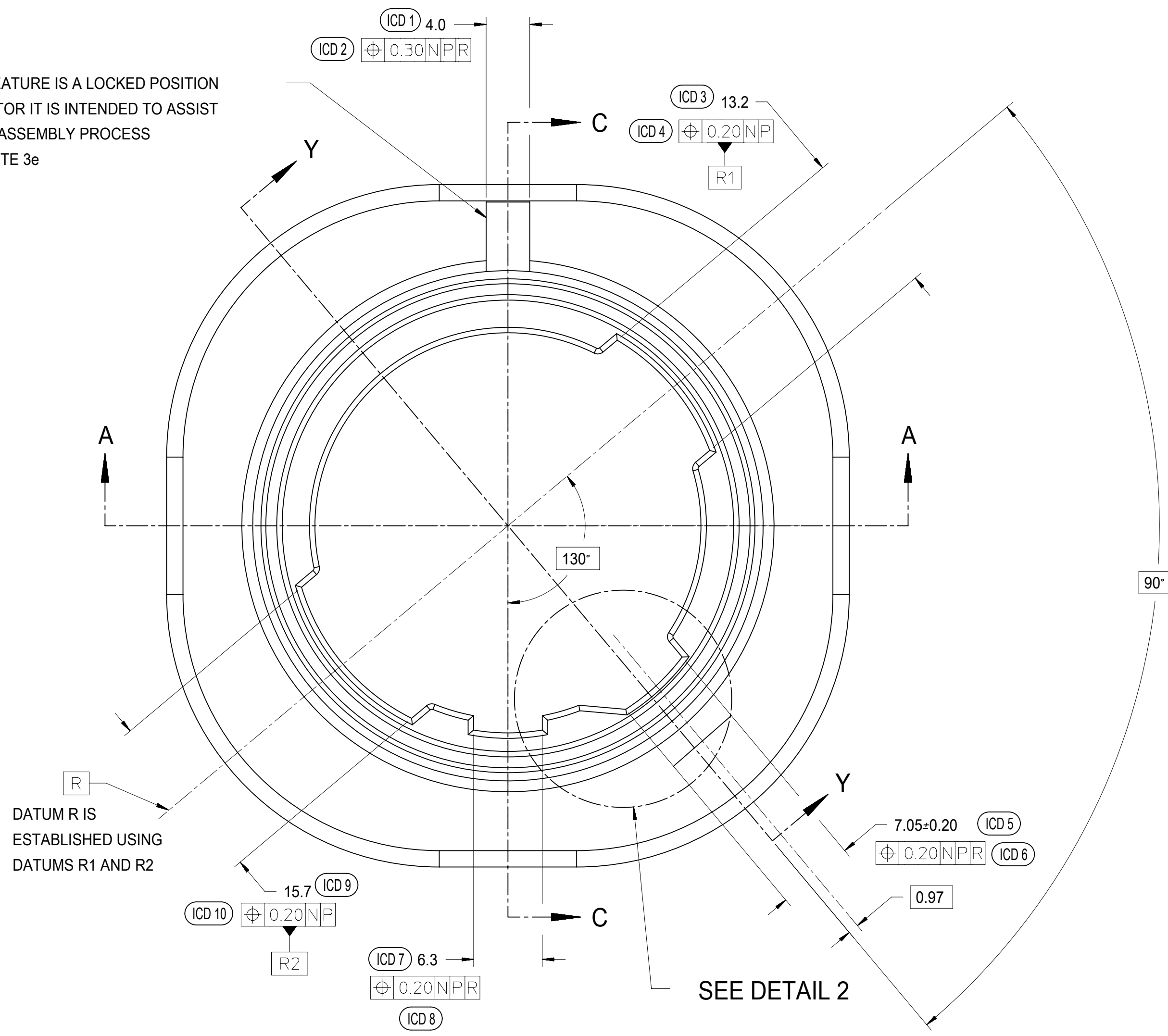


BULKHEAD INTERFACE NOTES: VALID UNLESS OTHERWISE SPECIFIED

1. GENERAL:
  - a. DESIGNED TO MATE WITH MOLEX CONNECTOR SERIES # 34840
  - b. ALL DIMENSIONS SHOWN IN MILLIMETERS
2. MATERIALS:
  - a. MATERIAL: BLACK TALC FILLED POLYPROPYLENE PER GMP.PP.030 OR EQUIVALENT
3. GEOMETRY:
  - a. THIS IS A 100% CAD GENERATED PART. THE CAD MATHEMATICAL DATA IS THE MASTER FOR THIS PART. FOR DIMENSIONAL OR ANY INFORMATION NOT SHOWN ON THIS DRAWING, ANALYZE THE CAD MODEL.
  - b. GEOMETRIC DIMENSIONS AND TOLERANCES PER ASME Y14.5M - 2009
  - c. GENERAL TOLERANCES: SEE TITLE BLOCK
  - d. EDGES AND UNDIMENSIONED DETAILS PER ISO13715
  - e. LOCKED POSITION INDICATOR IS INTENDED TO BE A VISUAL AID TO ENSURE THE BULKHEAD CONNECTOR IS IN THE LOCKED POSITION THE BULKHEAD CONNECTOR HAS A CORRESPONDING FEATURE THAT WILL ALIGN WITH THE BULKHEAD INTERFACE WHEN FULLY LOCKED
4. MANUFACTURING:
  - a. DRAFT TO BE WITHIN TOLERANCE. PLUS DRAFT - INDICATES DIMENSION REPRESENTS THE SMALLEST SIZE OF A FEATURE. DRAFT WILL ADD MATERIAL. MINUS DRAFT - INDICATES DIMENSION REPRESENTS THE LARGEST SIZE OF A FEATURE. DRAFT WILL REMOVE MATERIAL.
  - b. ALLOWABLE FLASH MAX 0.20 HIGH BY MAX 0.13 THICK.
  - c. NO PARTING LINES, MISMATCHES OR EJECTOR MARKS PERMISSIBLE WITHIN SEALING SURFACE. SEALING SURFACE TOOLING TO BE PROCESSED TO A SURFACE FINISH OF NTMA #70 (400 PAPER) MINIMUM
  - d. NO EXTERNAL MOLD RELEASE AGENT ALLOWED DURING MANUFACTURING.

SYMBOLS	THIS DRAWING CONTAINS INFORMATION THAT IS PROPRIETARY TO MOLEX ELECTRONIC TECHNOLOGIES, LLC AND SHOULD NOT BE USED WITHOUT WRITTEN PERMISSION		
	DIMENSION UNITS	SCALE	CURRENT REV DESC:
= 0	mm	2:1	EC NO: 625506 DRWN: WKHE 2019/10/11 CHK'D: JDENG02 2019/10/22 APPR: JDENG02 2019/10/22 INITIAL REVISION: DRWN: MVANSLAMBROU 2010/10/01 APPR: VKOSHY 2010/10/05
= 0	GENERAL TOLERANCES (UNLESS SPECIFIED)		
= 0	ANGULAR TOL ± 3.0°		
= 0	4 PLACES ±		
= 0	3 PLACES ±		
= 0	2 PLACES ± 0.1		
= 0	1 PLACE ± 0.2		DOCUMENT NUMBER: SD-34840-001 DOC TYPE: PSD DOC PART: 001 REVISION: B7
= 0	0 PLACES ±		
= 0	DRAFT WHERE APPLICABLE MUST REMAIN WITHIN DIMENSIONS	THIRD ANGLE PROJECTION	MATERIAL NUMBER: SEE TABLE CUSTOMER: GENERAL MARKET SHEET NUMBER: 7 OF 10
= 0		D-SIZE 34840	

THIS FEATURE IS A LOCKED POSITION INDICATOR IT IS INTENDED TO ASSIST IN THE ASSEMBLY PROCESS SEE NOTE 3e



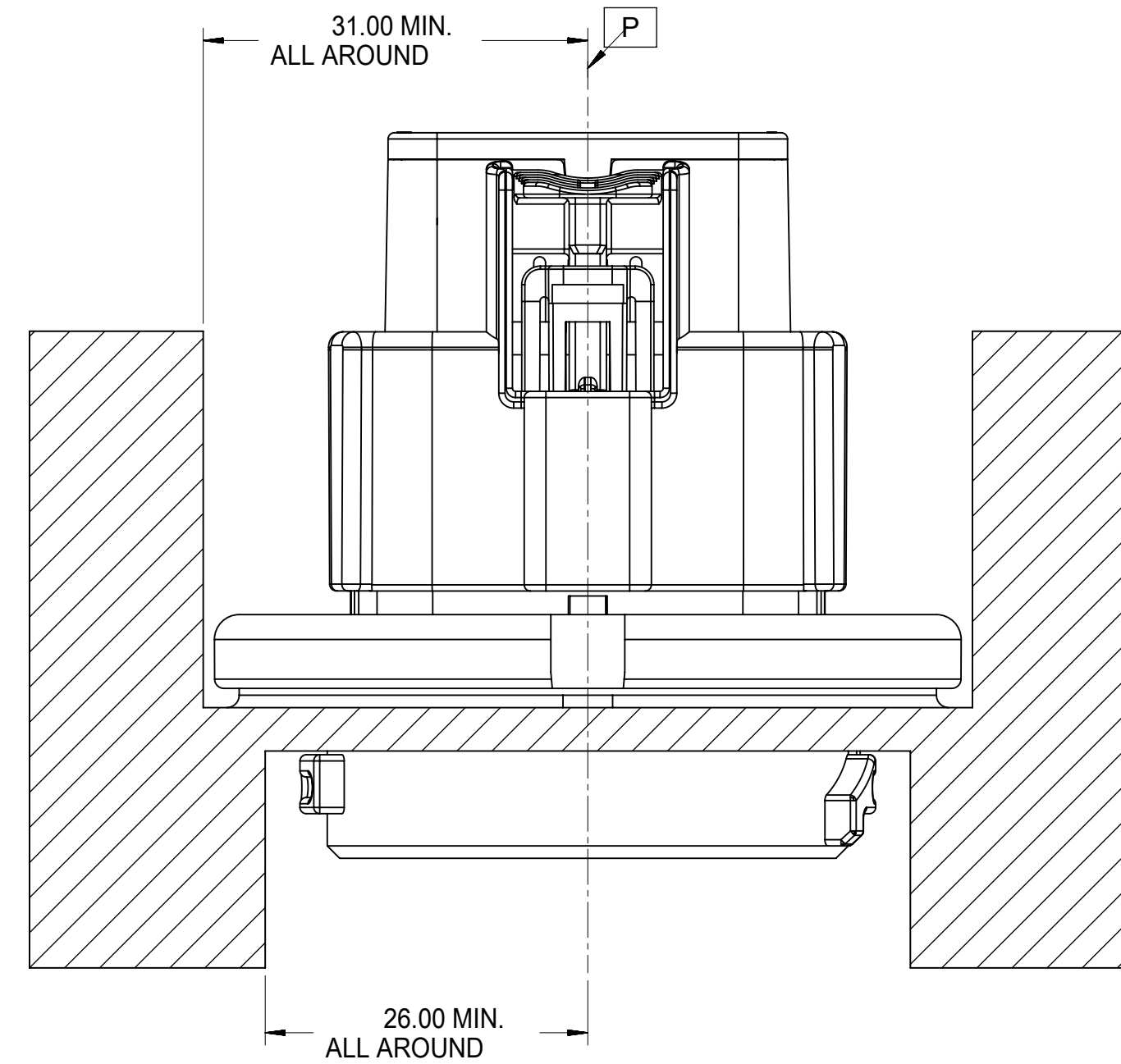
SYMBOLS		THIS DRAWING CONTAINS INFORMATION THAT IS PROPRIETARY TO MOLEX ELECTRONIC TECHNOLOGIES, LLC AND SHOULD NOT BE USED WITHOUT WRITTEN PERMISSION	
$\nabla = 0$	mm	SCALE	2:1
$\nabla = 0$	GENERAL TOLERANCES (UNLESS SPECIFIED)		
$\nabla = 0$	ANGULAR TOL	$\pm$	3.0°
$\nabla = 0$	4 PLACES	$\pm$	
$\nabla = 0$	3 PLACES	$\pm$	
$\nabla = 0$	2 PLACES	$\pm$	0.1
$\nabla = 0$	1 PLACE	$\pm$	0.2
$\nabla = 0$	0 PLACES	$\pm$	
$\nabla = 0$	DRAFT WHERE APPLICABLE MUST REMAIN WITHIN DIMENSIONS		
THIRD ANGLE PROJECTION		DRAWING SERIES	
		D-SIZE 34840	
CURRENT REV DESC:		EC NO: 625506	
		DRWN: WKHE 2019/10/11	
		CHK'D: JDENG02 2019/10/22	
		APPR: JDENG02 2019/10/22	
INITIAL REVISION:		DRWN: MVANSLAMBROU 2010/10/01	
		APPR: VKOSHY 2010/10/05	
DOCUMENT NUMBER		DOC TYPE	DOC PART
SD-34840-001		PSD	001
REVISION		B7	
MATERIAL NUMBER		CUSTOMER	
SEE TABLE		GENERAL MARKET	
SHEET NUMBER		8 OF 10	



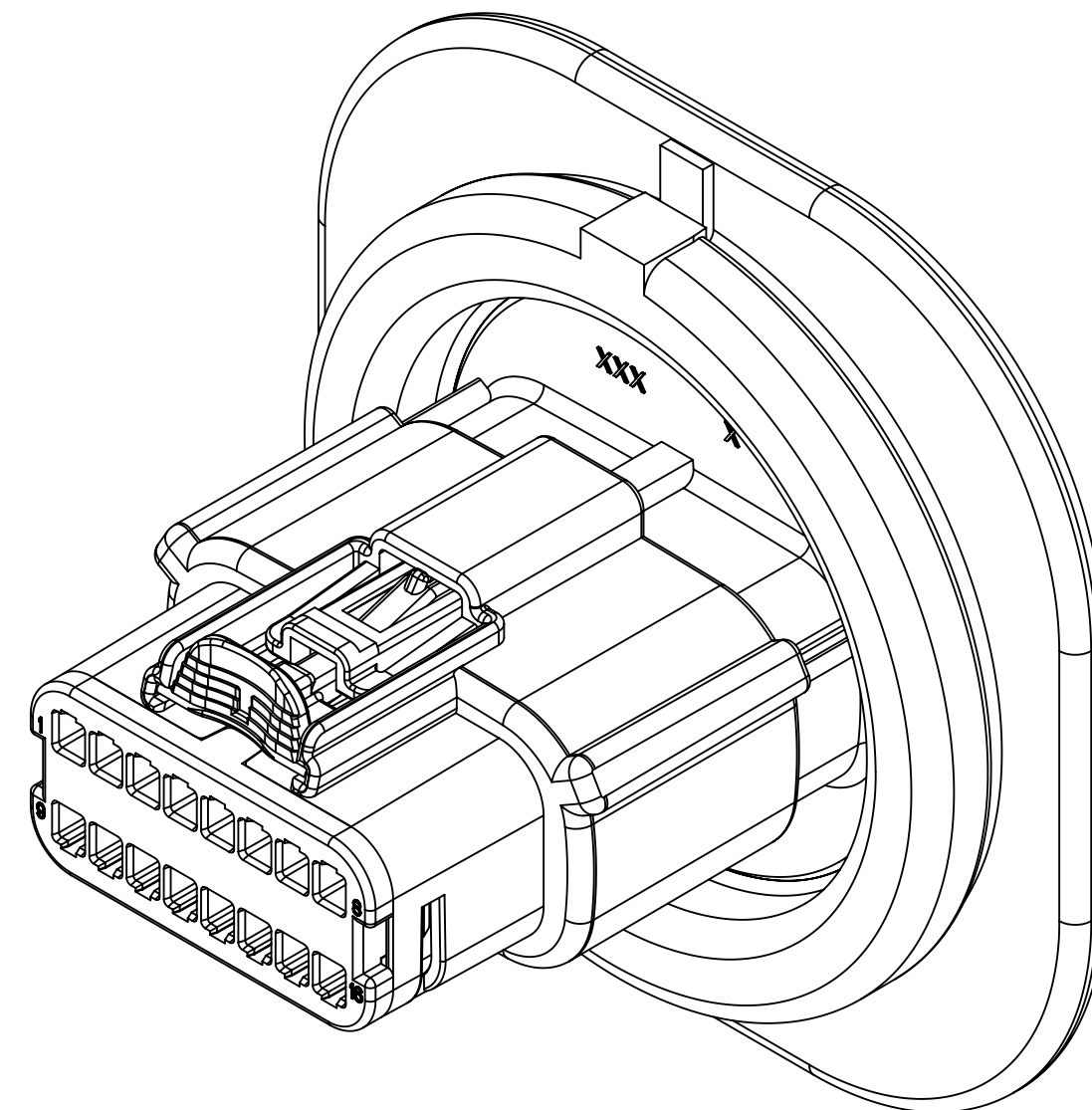
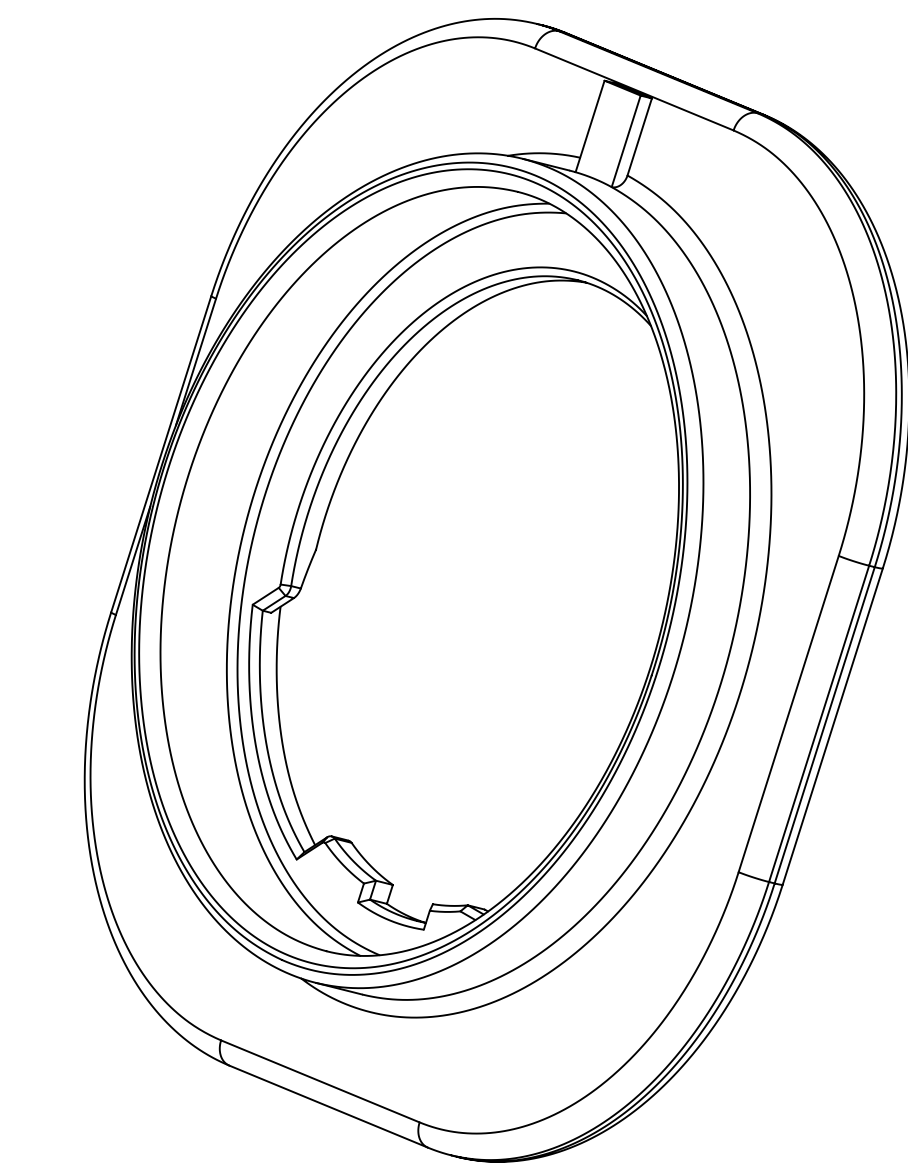
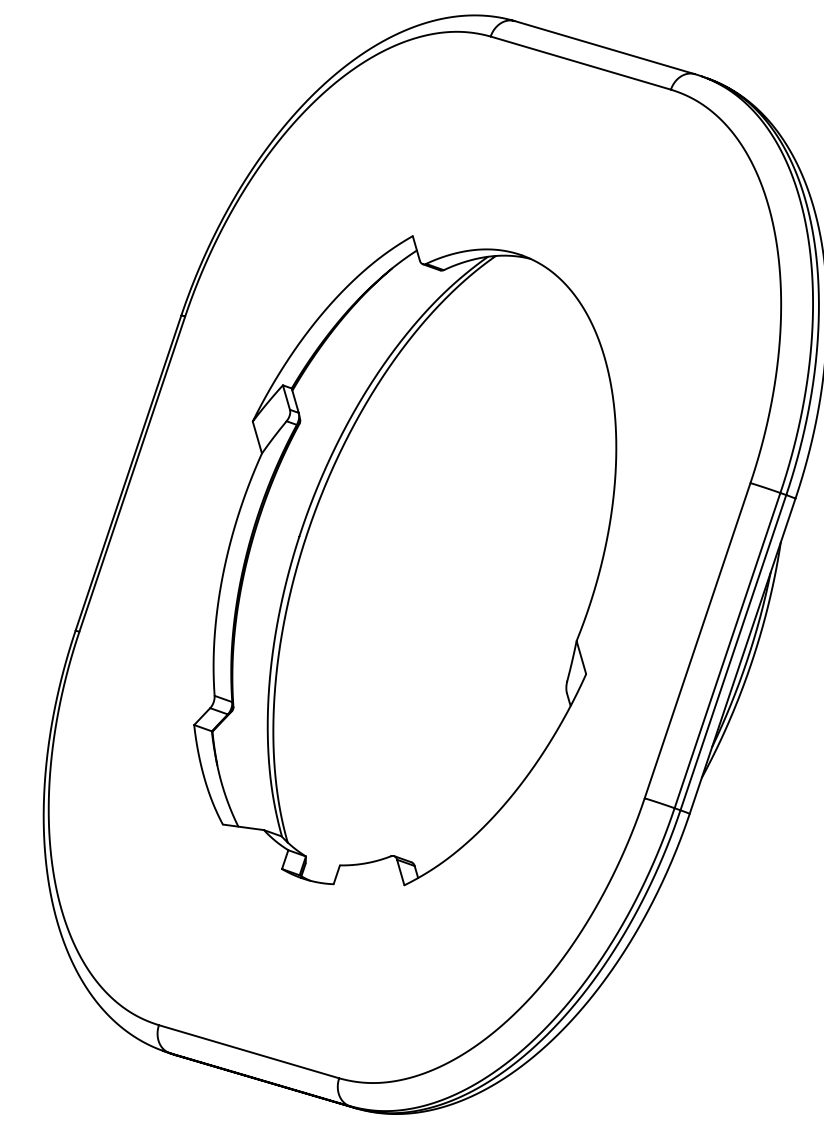
BULKHEAD INTERFACE NOTES: VALID UNLESS OTHERWISE SPECIFIED

1. GENERAL:
  - a. DESIGNED TO MATE WITH MOLEX CONNECTOR SERIES # 34840
  - b. ALL DIMENSIONS SHOWN IN MILLIMETERS
2. MATERIALS:
  - a. MATERIAL: BLACK TALC FILLED POLYPROPYLENE PER GMP.PP.030 OR EQUIVALENT
3. GEOMETRY:
  - a. THIS IS A 100% CAD GENERATED PART. THE CAD MATHEMATICAL DATA IS THE MASTER FOR THIS PART. FOR DIMENSIONAL OR ANY INFORMATION NOT SHOWN ON THIS DRAWING, ANALYZE THE CAD MODEL.
  - b. GEOMETRIC DIMENSIONS AND TOLERANCES PER ASME Y14.5M - 2009
  - c. GENERAL TOLERANCES: SEE TITLE BLOCK
  - d. EDGES AND UNDIMENSIONED DETAILS PER ISO13715
  - e. LOCKED POSITION INDICATOR IS INTENDED TO BE A VISUAL AID TO ENSURE THE BULKHEAD CONNECTOR IS IN THE LOCKED POSITION THE BULKHEAD CONNECTOR HAS A CORRESPONDING FEATURE THAT WILL ALIGN WITH THE BULKHEAD INTERFACE WHEN FULLY LOCKED
4. MANUFACTURING:
  - a. DRAFT TO BE WITHIN TOLERANCE.
    - PLUS DRAFT - INDICATES DIMENSION REPRESENTS THE SMALLEST SIZE OF A FEATURE. DRAFT WILL ADD MATERIAL.
    - MINUS DRAFT - INDICATES DIMENSION REPRESENTS THE LARGEST SIZE OF A FEATURE. DRAFT WILL REMOVE MATERIAL.
  - b. ALLOWABLE FLASH MAX 0.20 HIGH BY MAX 0.13 THICK.
  - c. NO PARTING LINES, MISMATCHES OR EJECTOR MARKS PERMISSIBLE WITHIN SEALING SURFACE. SEALING SURFACE TOOLING TO BE PROCESSED TO A SURFACE FINISH OF NTMA #70 (400 PAPER) MINIMUM
  - d. NO EXTERNAL MOLD RELEASE AGENT ALLOWED DURING MANUFACTURING.

IF BULKHEAD INTERFACE IS RECESSED INTO A POCKET, THESE DIMENSIONS REPRESENT THE MINIMUM CLEARANCE REQUIRED FOR THE MATING HARNESS AND BULKHEAD CONNECTOR SHROUDS.

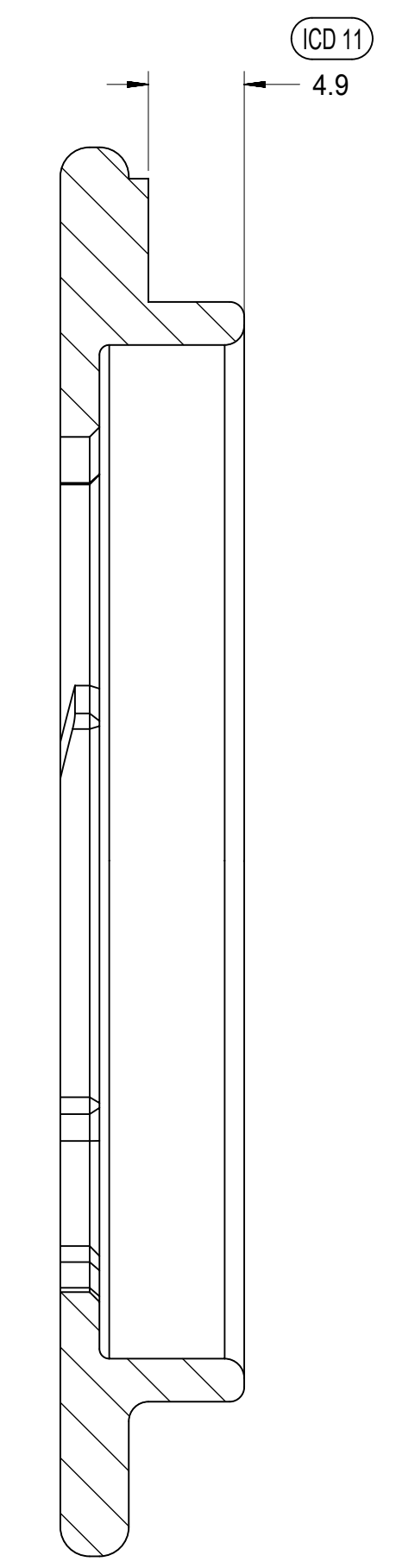
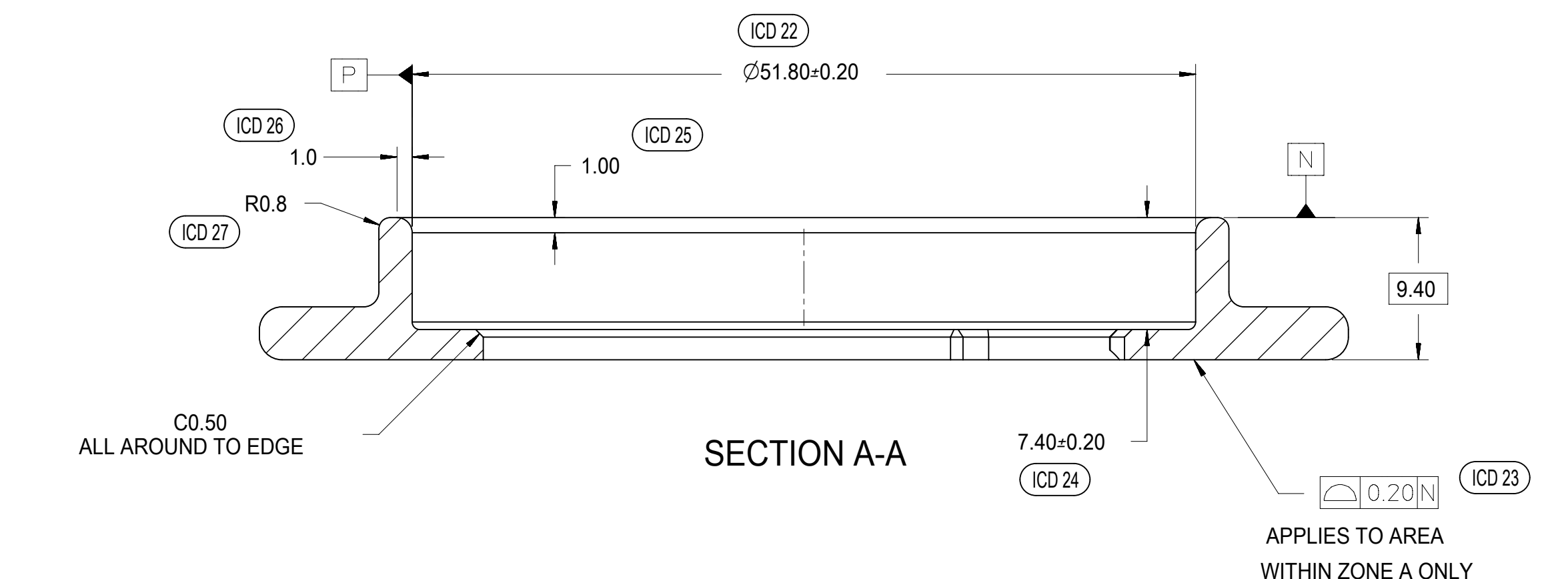
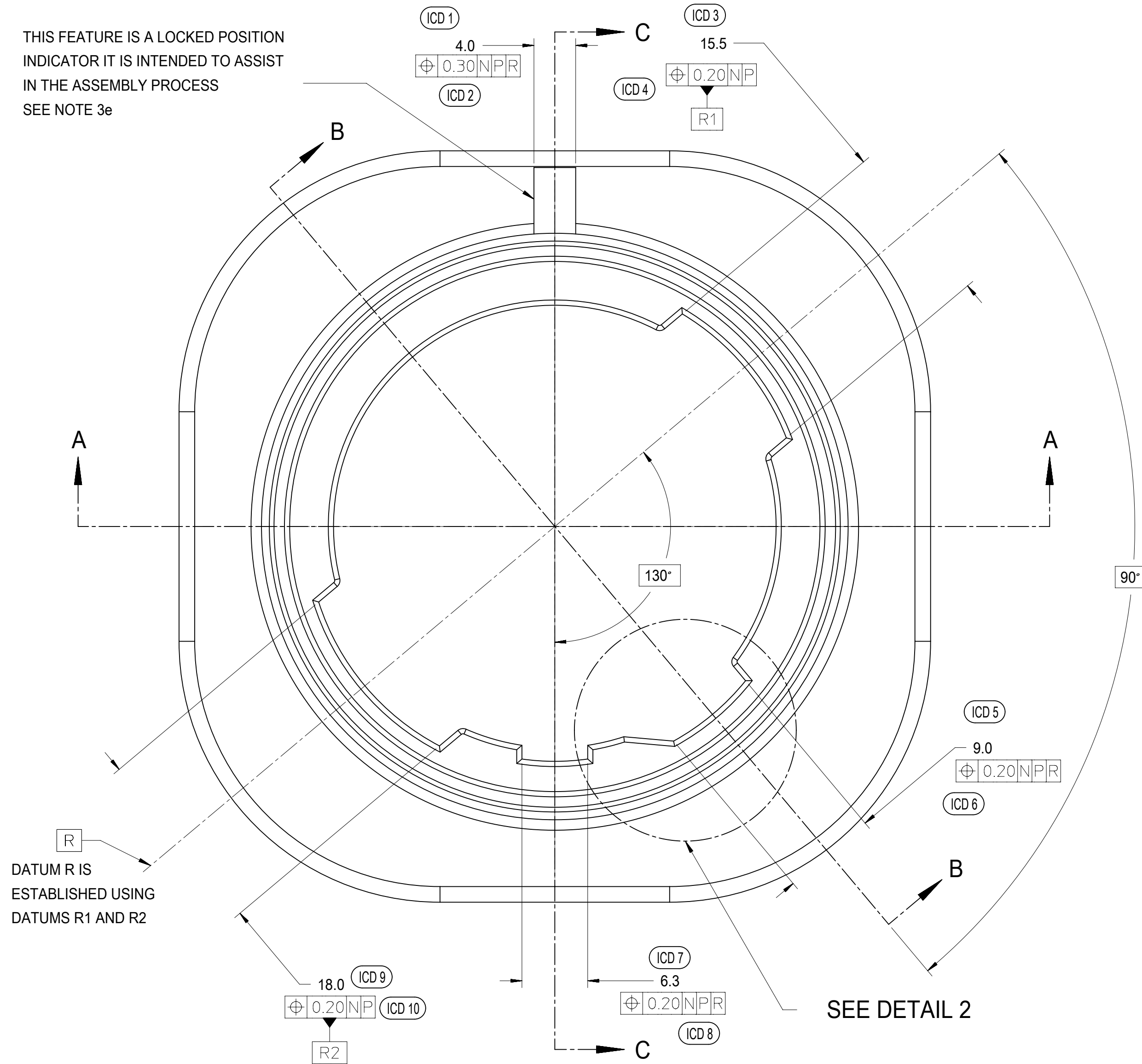


PACKAGING FRAME

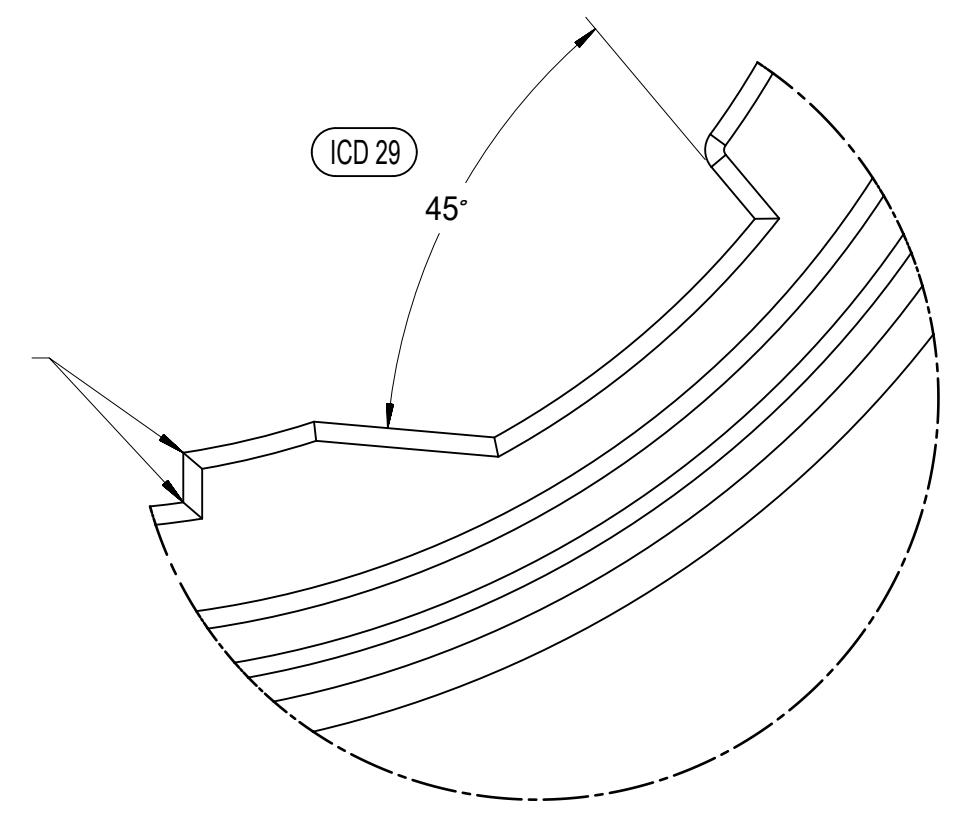


SYMBOLS	THIS DRAWING CONTAINS INFORMATION THAT IS PROPRIETARY TO MOLEX ELECTRONIC TECHNOLOGIES, LLC AND SHOULD NOT BE USED WITHOUT WRITTEN PERMISSION		
	DIMENSION UNITS	SCALE	CURRENT REV DESC:
$\nabla = 0$	mm	2:1	EC NO: 625506 DRWN: WKHE 2019/10/11 CHK'D: JDENG02 2019/10/22 APPR: JDENG02 2019/10/22
$\nabla = 0$	GENERAL TOLERANCES (UNLESS SPECIFIED)		
$\nabla = 0$	ANGULAR TOL	$\pm 3.0^\circ$	INITIAL REVISION: DRWN: MVANSLAMBROU 2010/10/01 APPR: VKOSHY 2010/10/05
$\nabla = 0$	4 PLACES	$\pm$	
$\nabla = 0$	3 PLACES	$\pm$	DOCUMENT NUMBER: SD-34840-001 DOC TYPE: PSD DOC PART: 001 REVISION: B7
$\nabla = 0$	2 PLACES	$\pm 0.1$	
$\nabla = 0$	1 PLACE	$\pm 0.2$	MATERIAL NUMBER: SEE TABLE CUSTOMER: GENERAL MARKET SHEET NUMBER: 9 OF 10
$\nabla = 0$	0 PLACES	$\pm$	
$\nabla = 0$	DRAFT WHERE APPLICABLE MUST REMAIN WITHIN DIMENSIONS	THIRD ANGLE PROJECTION	DRAWING: D-SIZE SERIES: 34840

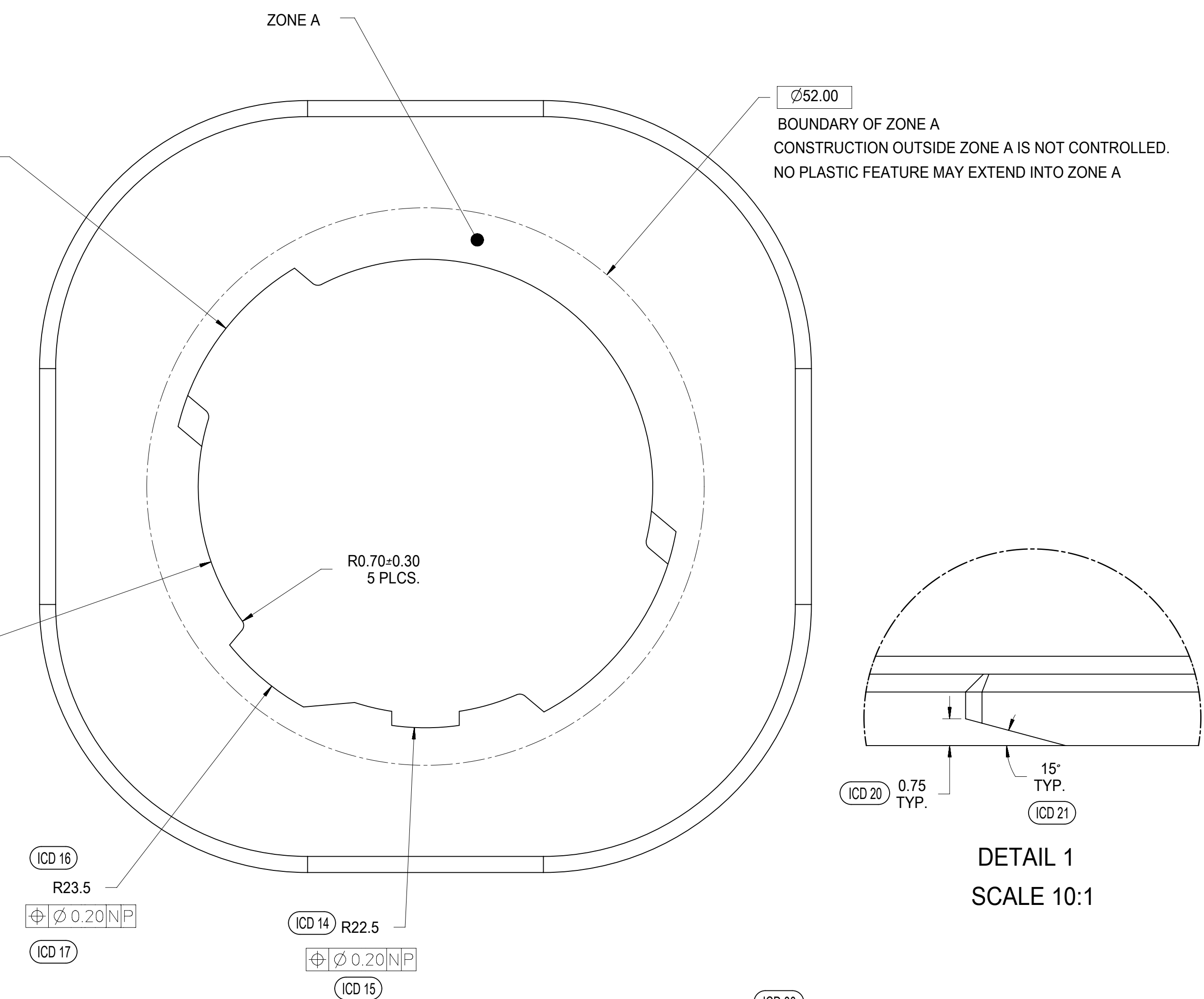
THIS FEATURE IS A LOCKED POSITION INDICATOR IT IS INTENDED TO ASSIST IN THE ASSEMBLY PROCESS SEE NOTE 3e



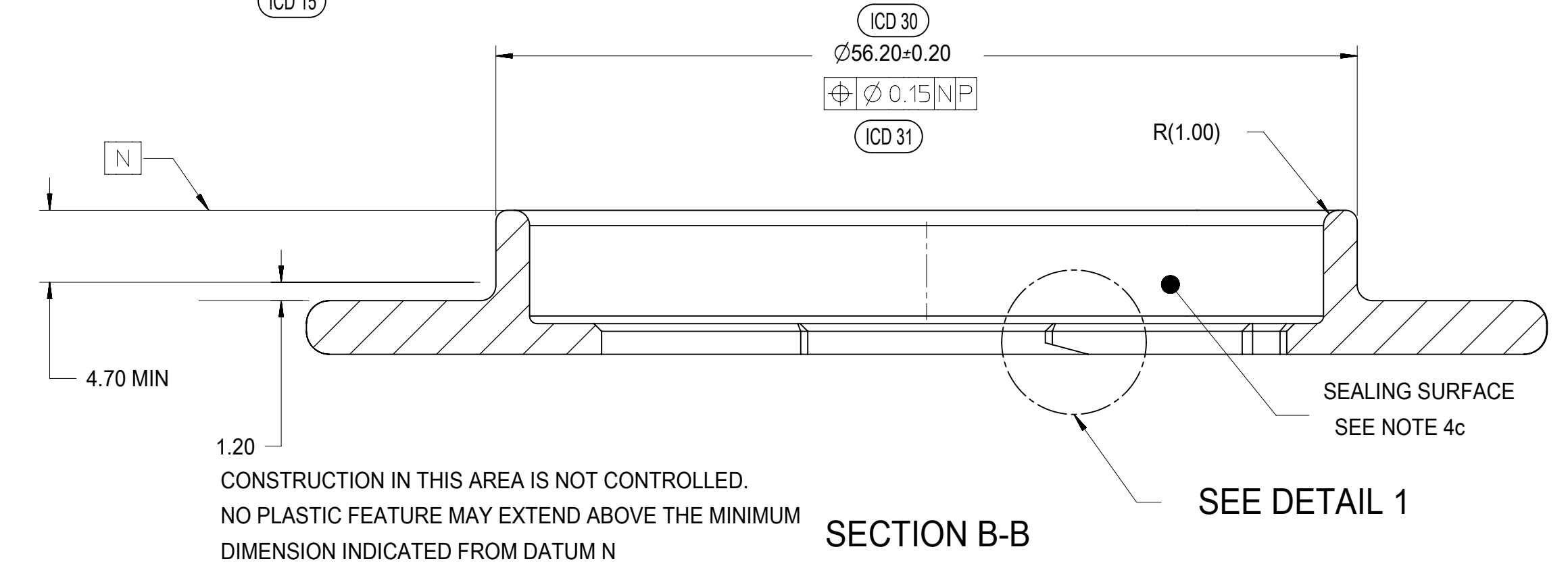
SECTION C-C



DETAIL 2 SCALE 5:1



DETAIL 1 SCALE 10:1



SECTION B-B

SYMBOLS		THIS DRAWING CONTAINS INFORMATION THAT IS PROPRIETARY TO MOLEX ELECTRONIC TECHNOLOGIES, LLC AND SHOULD NOT BE USED WITHOUT WRITTEN PERMISSION	
$\nabla = 0$	DIMENSION UNITS	SCALE	CURRENT REV DESC:
$\nabla = 0$	mm	2:1	
$\nabla = 0$	GENERAL TOLERANCES (UNLESS SPECIFIED)		
$\nabla = 0$	ANGULAR TOL	$\pm 3.0^\circ$	EC NO: 625506
$\nabla = 0$	4 PLACES	$\pm$	DRWN: WKHE 2019/10/11
$\nabla = 0$	3 PLACES	$\pm$	CHK'D: JDENG02 2019/10/22
$\nabla = 0$	2 PLACES	$\pm 0.1$	APPR: JDENG02 2019/10/22
$\nabla = 0$	1 PLACE	$\pm 0.2$	INITIAL REVISION:
$\nabla = 0$	0 PLACES	$\pm$	DRWN: MVANSLAMBROU 2010/10/01
$\nabla = 0$	DRAFT WHERE APPLICABLE MUST REMAIN WITHIN DIMENSIONS		APPR: VKOSHY 2010/10/05
$\nabla = 0$	THIRD ANGLE PROJECTION	DRAWING	SHEET NUMBER
$\nabla = 0$		D-SIZE	10 OF 10
		SERIES	MATERIAL NUMBER
		34840	SEE TABLE
		CUSTOMER	GENERAL MARKET
		DOC TYPE	DOC PART
		PSD	001
		REVISION	B7
		DOCUMENT NUMBER	SD-34840-001

**molex**

MX150 DUAL ROW BULKHEAD TWIST-LOCK CONNECTOR ASSEMBLY

PRODUCT CUSTOMER DRAWING

DOCUMENT NUMBER: SD-34840-001, DOC TYPE: PSD, DOC PART: 001, REVISION: B7