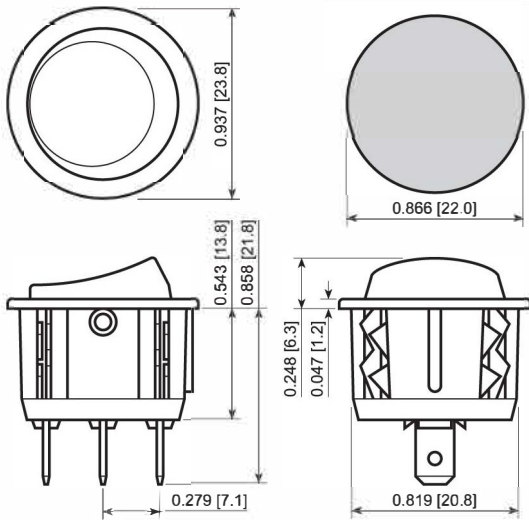


RRGA Series

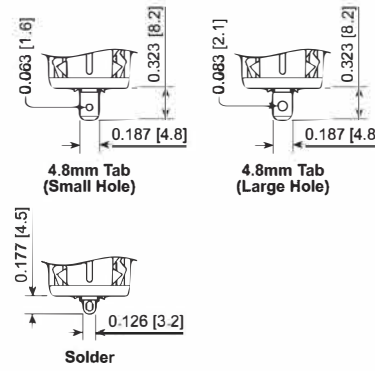


ROCKER

Panel Cutout



Terminal Options



FEATURES:

- Aesthetically Designed
- High Ratings with UL and VDE Approvals
- Single Pole With Many Functions
- Glossy Finish

SPECIFICATIONS:

RATING: *OPTION 3:*

- 10A 125VAC [UL, cUL]
- 6A 250VAC [UL, cUL]
- 6A 250V- 1E4 T85 [VDE]

TEMPERATURE: -20°C to 105°C [UL, cUL]
-20°C to 125°C [VDE]

ELECTRICAL LIFE: 10,000 Cycles

CONTACT RESISTANCE: 35mΩ Max.

INSULATION RESISTANCE: 100MΩ Min. at 500VDC

DIELECTRIC STRENGTH: 1,500VAC for 1 Minute



RRGA113228E



RRGA1431100

Series
RRGA - 22mm Dia. Cutout

Terminal
1 - 4.8mm Tab (Small Hole)
5 - Solder
8 - 4.8mm Tab (Large Hole)

Function
1 - Off-On
3 - On-On
4 - Off-(On)
5 - On-Off-On
A - On-(Off)
B - On-(On)
C - On-Off-(On)

Rating
3 - 10A 125VAC

Body Color
1 - Black
2 - White
3 - Almond
4 - Grey
9 - Red

Actuator Color
1 - Black
2 - White
3 - Almond
4 - Grey
5 - Orange
7 - Blue
8 - Green
9 - Red

Marking Color
0 - None
1 - Black
2 - White
8 - Red

Marking Type
0 - None
1 - I/O Vert.
2 - ON/OFF/ON Vert.
3 - ON/OFF Vert.
4 - ON/OFF Horiz.
9 - I/O/II Horiz.
S - I/O/II Vert.
R - I/O Horiz.

Specifications subject to change without notice 10.25.2017

Custom Colors and Markings Available Upon Request

EXAMPLE PART NUMBERS:

RRGA8131121 1P Off-On
Black Body/Actuator, I/O Vert.

RRGA8132200 1P Off-On
White Body/Actuator, No Marking



E-SWITCH®

www.e-switch.com

800.867.2717

SPECIFICATIONS SUBJECT TO CHANGE WITHOUT NOTICE